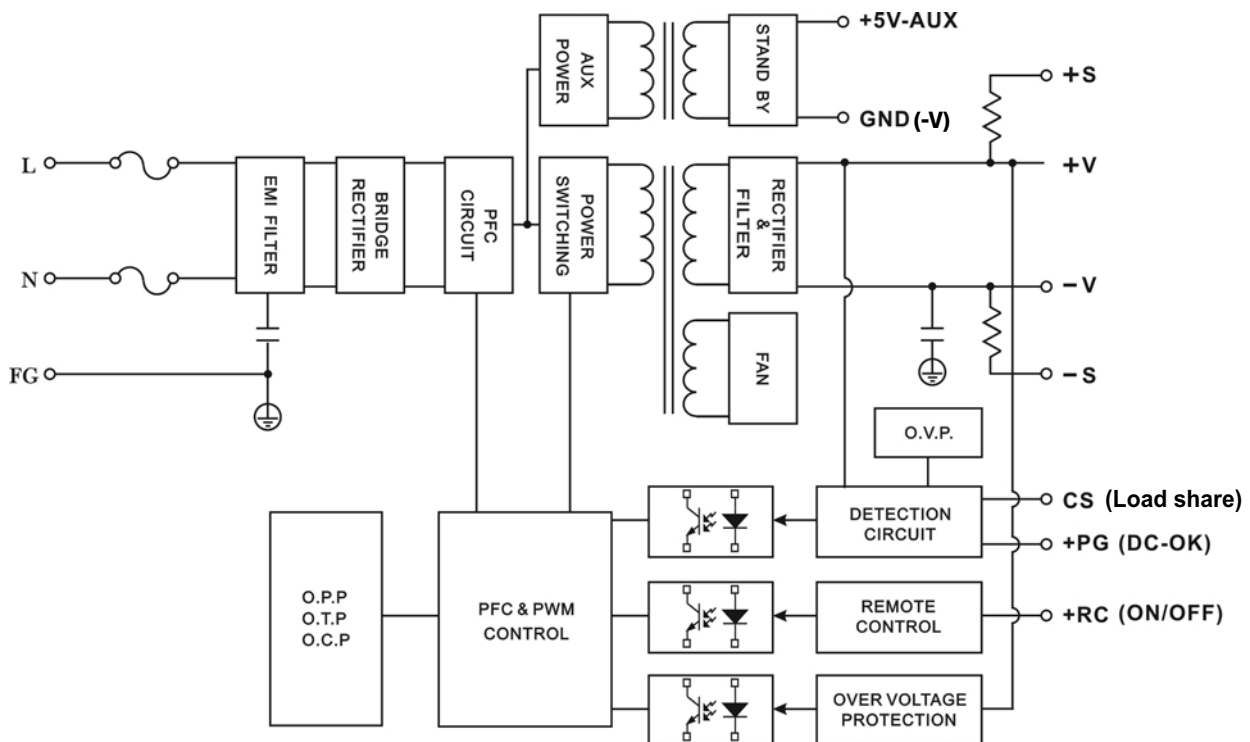


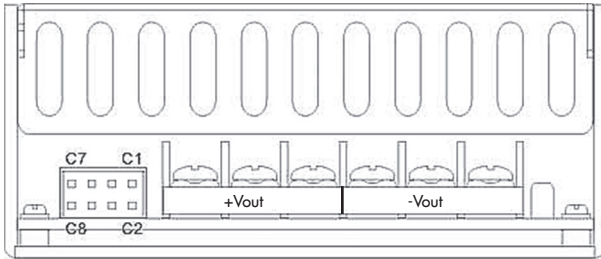
General Specifications

Electromagnetic compatibility (EMC), Emissions	EN 61000-3-2:2006+A1:2009+A2:2009 EN 61000-3-3:2008 EN 55022, class B
Electromagnetic compatibility (EMC), Immunity	EN 55024 EN 61000-4-2 ±2 kV / ±4 kV, criteria A EN 61000-4-3 3 V/m, criteria A EN 61000-4-4 ±1 kV, criteria A EN 61000-4-5, ±1 kV, criteria A EN 61000-4-5, ±2 kV, criteria A EN 61000-4-6 3 V, criteria A EN 61000-4-8 1 A/m, criteria A EN 61000-4-11 30 % 500 ms, criteria A 95 % 10 ms, criteria A 95 % 2500 ms, criteria B
EMC test report	www.tracopower.com/overview/txh600
Degree of protection	class I
Safety standards	UL 60950-1 IEC 60950-1 2nd: Am 1, Am 2 EN 60950-1:2006/A11:2009/A1:2010/ A12:2011/A2:2013 www.tracopower.com/overview/txh600
	- Certification documents
Environment	- Vibration
	3 axes, sine sweep, 10–500Hz, 2g, 0.1 oct/min
Altitude during operation	up to 2000 m (6560 ft)
Environmental compliance	- Reach - RoHS
	www.tracopower.com/info/reach-declaration.pdf RoHS directive 2011/65/EU

Block Diagram



Functions



7	5	3	1
OK	GND	CS	+S
Aux	RC	GND	-S
8	6	4	2

Vout terminals are rated for 25 A max.
At higher current connection has to be splitted.

Control connector	
C1	+ Sense
C2	- Sense
C3	Load share (CS)
C4	GND (internal connection to -Vout)
C5	
C6	Remote Control: open = On, short to GND = Off
C7	DC-OK signal: 4-6 VDC = On, 0-1 VDC = Off
C8	+5 VDC aux. $\pm 10\%$, 0.6 A max.

Mating connector:
Housing: JST PHDR-08VS
Crimp: JST SPHD-002T-P0.5

Connection cable with 500mm
flying leads included!

Load sharing:

- Difference in Vout among paralleled units should be less than $\pm 1\%$
- Output power at load share = rated power per unit x number of unit x 80%
- Shorter wiring to each unit is recommended, as well as twisting +S and -S in pairs, as shown.

