

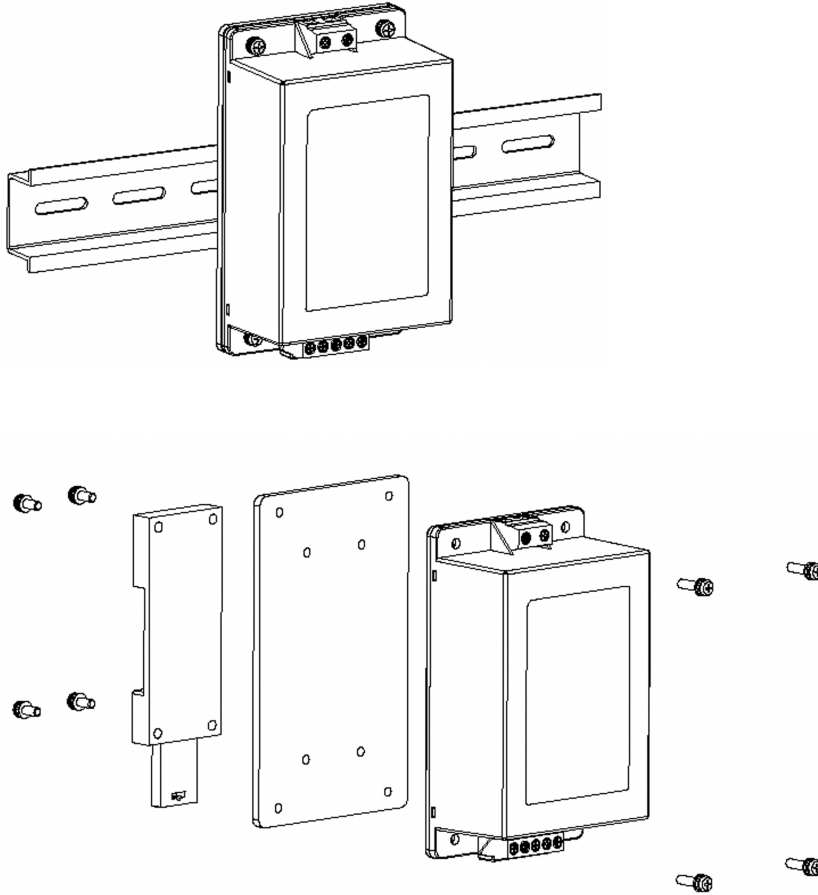
**General Specifications**

Temperature ranges	<ul style="list-style-type: none"> <li>- Operating (natural convection cooling 20 LFM)</li> <li>- Power derating above +60°C</li> <li>- Storage (non operating)</li> </ul>	<p>-40°C to +80°C 3.75 %/K -40°C to +95°C</p>
Over temperature protection	<p>shutdown: above 90°C (at 142°C internal IC temperature) automatic recovery: at approx 67°C</p>	
Humidity (non condensing)		95 % rel max.
Altitude during operation		5000 m
Switching frequency (pulse width modulation PWM)		130 kHz typ.
Hold-up time	<p>115 VAC: 25 ms typ. 230 VAC: 80 ms typ.</p>	
Isolation voltage	- Input/Output	4'000 VAC
Isolation resistance	- at 500 VDC	1'000 MOhm
Reliability /calculated MTBF (MIL-HDBK-217F, at +25°C, ground benign)		>200'000 h
EMI / RFI conducted and radiated		EN 55022, class B, FCC part 15, level B EN 55011 class B
Electromagnets compatibility (EMC), immunity	<ul style="list-style-type: none"> <li>- Electrostatic discharge ESD</li> <li>- RF field immunity</li> <li>- Electrical fast transients/burst immunity</li> <li>- Surge</li> <li>- Conducted RF</li> <li>- Magnetic field immunity</li> <li>- Voltage dip and interruptions (115 VAC / 60 Hz)</li> </ul>	<p>IEC / EN 61000-4-2, 8kV/4kV perf. criteria A IEC / EN 61000-4-3, 10V/m perf. criteria A IEC / EN 61000-4-4, ±2kV perf. criteria A IEC / EN 61000-4-5, ±1kV perf. criteria A IEC / EN 61000-4-6, 10 Vr.m.s perf. criteria A IEC / EN 61000-4-8, 30 A/m perf. criteria A IEC / EN 61000-4-11 30%,10ms perf. criteria A IEC / EN 61000-4-11 60%,10ms perf. criteria A IEC / EN 61000-4-11 95%, 5s perf. criteria B</p>
Protection class II		according IEC/EN 60536
Safety standards	<ul style="list-style-type: none"> <li>- Certification documents</li> </ul>	<p>UL 60950-1, IEC/EN 60950-1, IEC/EN 60601-1 3rd edition, 2 x MOPP ANSI/AAMI ES60601-1:2005(R)2012 UL 508 for chassis mount version <a href="http://www.tracopower.com/overview/tmm40">www.tracopower.com/overview/tmm40</a></p>
Casing material		plastic resin (UL 94V-0 rated)
Environmental compliance	<ul style="list-style-type: none"> <li>- Reach</li> <li>- RoHS</li> </ul>	<p><a href="http://www.tracopower.com/products/reach-declaration.pdf">www.tracopower.com/products/reach-declaration.pdf</a> RoHS directive 2011/65/EU</p>

All specifications valid at nominal input voltage, full load and +25°C after warm-up time unless otherwise stated.

**DIN-Rail Mounting Kit**

Adapter for mounting on DIN-rails as per EN 50022-35 (snap-on mounting)

**DIN-Rail Mounting Kit**

Order code	For models
TMP-MK2	TMM 40xxxC

Kit contains interface plate, DIN-rail clip and necessary screws.

All specifications valid at nominal input voltage, full load and +25°C after warm-up time unless otherwise stated.