

**General Specifications**

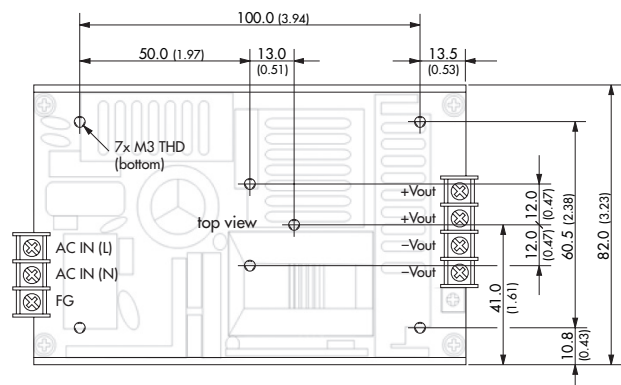
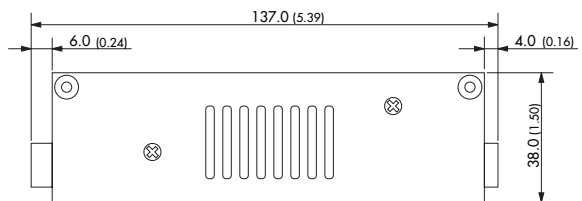
Switching frequency (pulse width modulation PWM)	120 & 240 W models: 100 kHz typ. 360 W models: 75 kHz typ. 480 W models: 62.5 kHz typ.
Isolation voltage (60 sec.)	<ul style="list-style-type: none"> <li>- Input / Output 120 &amp; 240 W models: 4'000 VAC 360 &amp; 480 W models: 3'000 VAC</li> <li>- Input / Case 120 &amp; 240 W models: 2'000 VAC 360 &amp; 480 W models: 1'500 VAC</li> <li>- Output / Case 500 VAC</li> </ul>
Reliability /calculated MTBF (MIL-HDBK-217F, at +25°C, ground benign)	<ul style="list-style-type: none"> <li>120 &amp; 360 W models: &gt;120'000 h</li> <li>240 W models: &gt;50'000 h</li> <li>480 W models: &gt;100'000 h</li> </ul>
Electromagnetic compatibility (EMC), Emissions	<ul style="list-style-type: none"> <li>- Conducted input RI suppression EN 55022, class B, FCC part 15, level B</li> <li>- Harmonic current emissions IEC/EN 61000-3-2 class B</li> </ul>
Electromagnetic compatibility (EMC), Immunity	EN 55024
Degree of protection	class I
Safety standards	UL 60950-1, IEC/EN 60950-1
Safety approvals	<ul style="list-style-type: none"> <li>- UL/cUL 60950-1 <a href="http://www.ul.com">www.ul.com</a> -&gt; certifications -&gt; File e188913</li> <li>- CB report according to IEC 60950-1 <a href="http://www.tracopower.com/products/txh-cb.pdf">www.tracopower.com/products/txh-cb.pdf</a></li> </ul>
Environment	<ul style="list-style-type: none"> <li>- Vibration 3 axes, sine sweep, 10–500Hz, 2g, 0.1 oct/min</li> </ul>
Environmental compliance	<ul style="list-style-type: none"> <li>- Reach <a href="http://www.tracopower.com/products/txh-reach.pdf">www.tracopower.com/products/txh-reach.pdf</a></li> <li>- RoHS RoHS directive 2011/65/EU</li> </ul>
Altitude during operation	<ul style="list-style-type: none"> <li>120 / 240 &amp; 360 W models: up to 4'000 m (13'120 ft) approved</li> <li>480 W models: up to 3'000 m (9'840 ft) approved</li> </ul>

**Outline Dimensions**

**TXH 120 models**

**Weight:** 390 g (13.8 oz)

Optional Cover	
<b>TXH 120-COV</b>	Cover incl. screws for TXH 120 models



Max mounting screw penetration: 2.5 mm (0.1)

**Outline Dimensions**

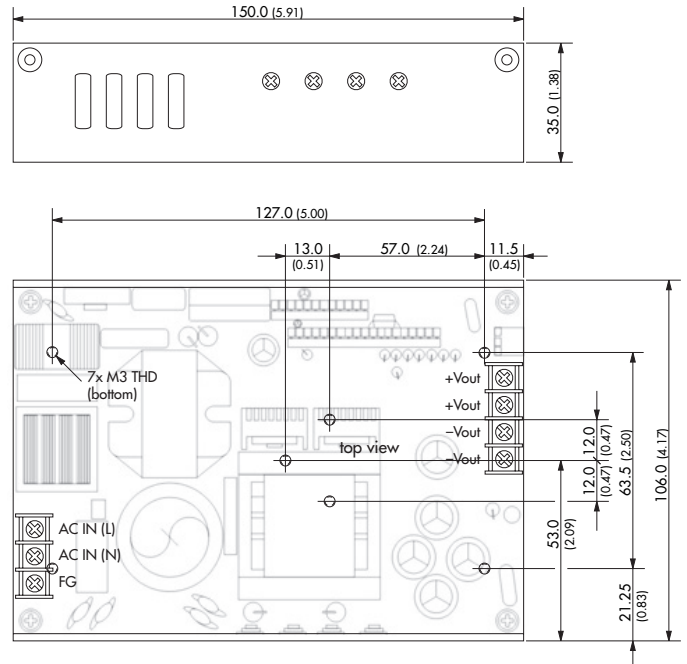
**TXH 240 models**

Weight: 580 g (20.5 oz)

**Optional Cover**

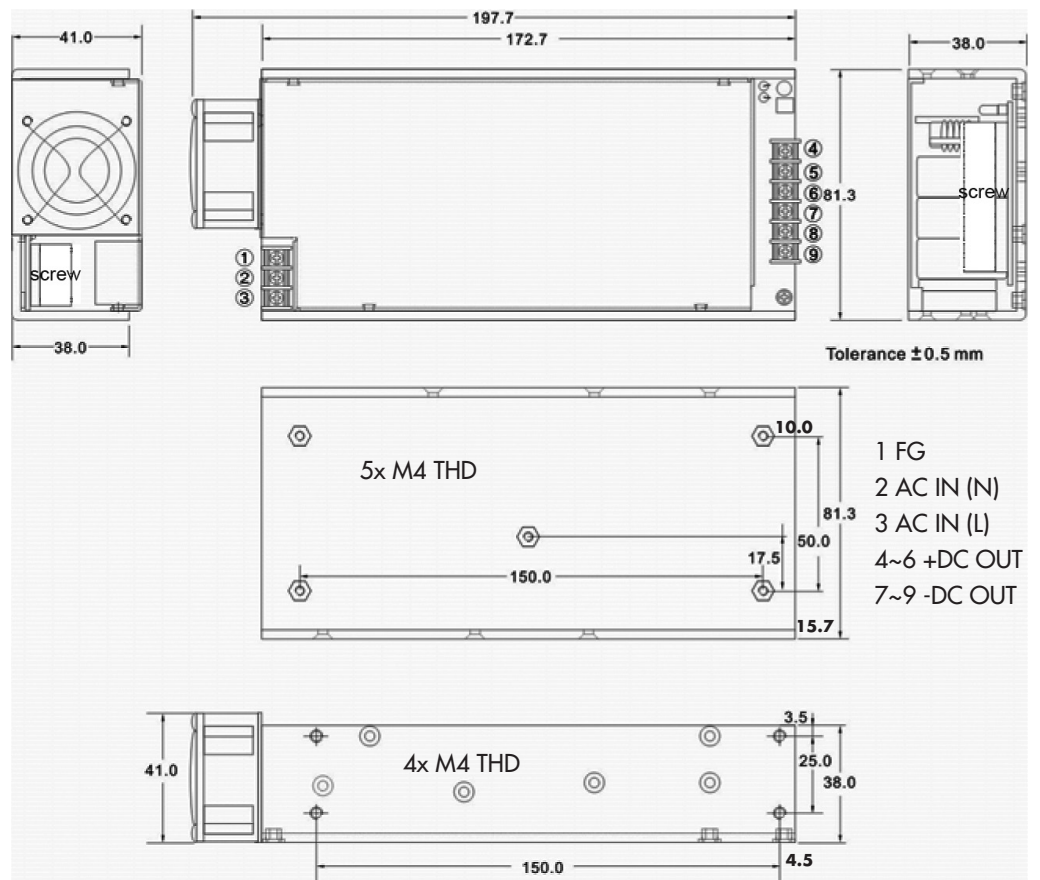
**TXH 240-COV** Cover incl. screws for TXH 240 models

Max mounting screw penetration: 2.5 mm (0.10)  
Terminal rating: 25A  
At higher current connection has to be splitted



**TXH 360 models**

Weight: 750 g (26 oz)



Dimensions in [mm], ( ) = Inch  
Tolerances ±0.8 (±0.03)  
Mounting hole pitch tolerances ±0.5 (±0.02)

Max mounting screw penetration: 2.5 mm (0.10)  
Terminal rating: 25A  
At higher current connection has to be splitted