

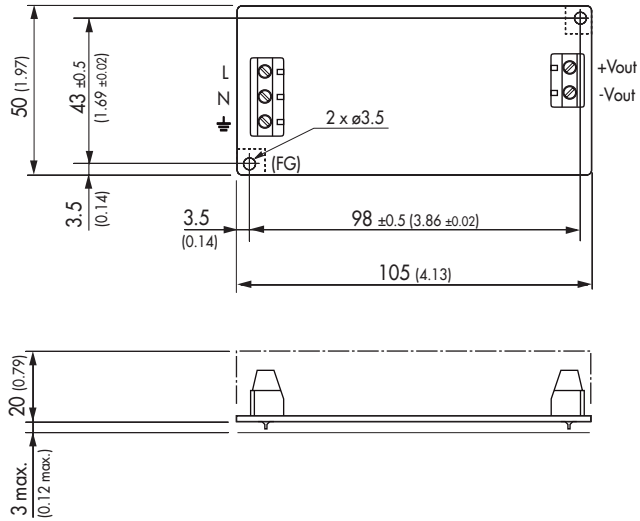
General Specifications

Temperature ranges	<ul style="list-style-type: none"> – Operating – Derating – Storage (non operating) 	–10°C to +60°C above +50°C: 5 %/K –20°C to +75°C
Temperature coefficient		0.02 %/K
Efficiency	<ul style="list-style-type: none"> – Single output models – Multi output models 	78 % typ. 70 % typ.
Humidity (non condensing)		85 % rel H max.
Switching frequency	<ul style="list-style-type: none"> – Single output models – Multi output models 	140 kHz typ. (puls width modulation) 150 kHz typ. at 50 % load (frequency modulation)
Hold-up time	<ul style="list-style-type: none"> – Single output models Vin = 115/230 VAC – Multi output models Vin = 115/230 VAC 	30 ms typ. 20 ms typ.
Isolation voltage (60sec.)	– Input/Output	3'000 VDC
Leakage current		0.75 mA RMS typ. / 230 VAC / 50 Hz
Electromagnetic compatibility (EMC), Emissions	<ul style="list-style-type: none"> – Conducted input RI suppression – Harmonic current emissions 	EN 55022, class B, FCC part 15, level B IEC/EN 61000-3-2, class A (75-150 Watt models)
Electromagnetic compatibility (EMC), Immunity	<ul style="list-style-type: none"> – Electrostatic discharge ESD – RF field susceptibility – Electrical fast transients/bursts on mainsline – Surge – Voltage dip 	IEC/EN 61000-4-2 level 2 4 kV / 4 kV IEC/EN 61000-4-3 level 2 3 V /m IEC/EN 61000-4-4 level 2 1 kV IEC/EN 61000-4-5 level 2 0.5 kV / 1kV IEC/EN 61000-4-11
Safety standards		IEC/EN 60950-1, cUL/UL 60950-1
Safety approvals	<ul style="list-style-type: none"> – UL/cUL 60950-1 – CB report (IEC 60950-1, 2nd edition) 	www.ul.com -> certifications -> File e141988 www.tracopower.com/products/tof-cb.pdf
Reliability, calculated MTBF (MIL-HDBK-217F, at +25°C, ground benign)		>250'000 h
Vibration		10–55 Hz 0.5 mm width/ 1 minute cycle (3 directions each 30 minutes)
Shock		20 G (3 directions each 3 times)
Environmental compliance	<ul style="list-style-type: none"> – Reach – RoHS 	www.tracopower.com/products/tof-reach.pdf RoHS directive 2011/65/EU

All specifications valid at nominal input voltage, full load and +25°C after warm-up time unless otherwise stated.

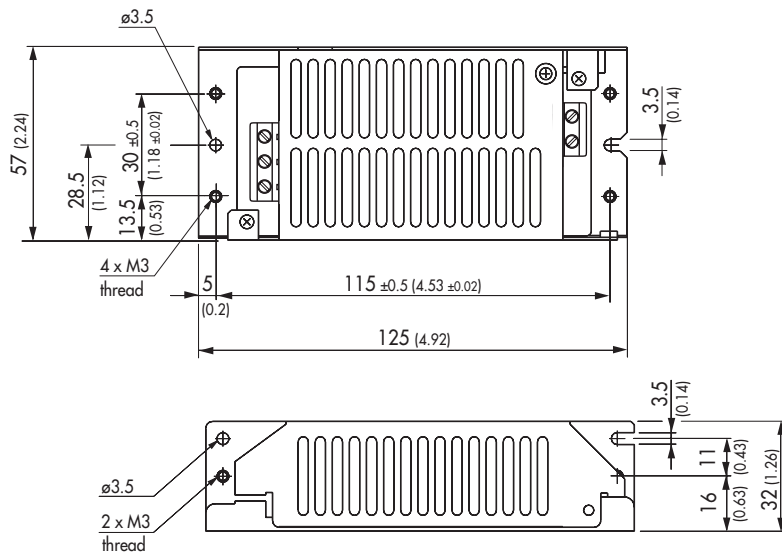
Outline Dimensions mm (inches)

TOF 10 standard open frame version



Weight: 75 g (2.6 oz)

TOF 10 with chassis / cover option



Weight: 175g (6.2 oz)