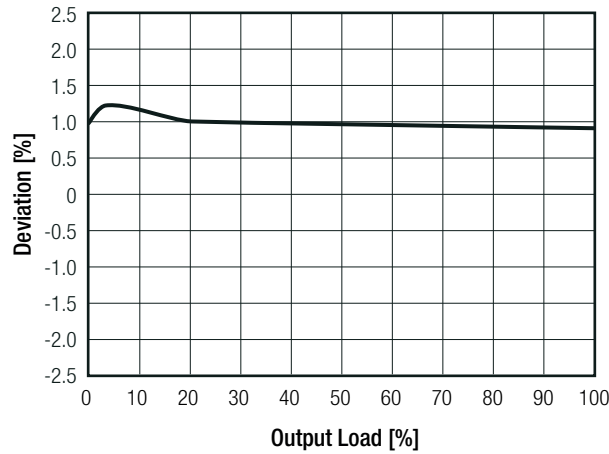


**Specifications** (measured @ Ta= 25°C, nom. Vin, full load and after warm-up unless otherwise stated)

Deviation vs. Load



**PROTECTIONS**

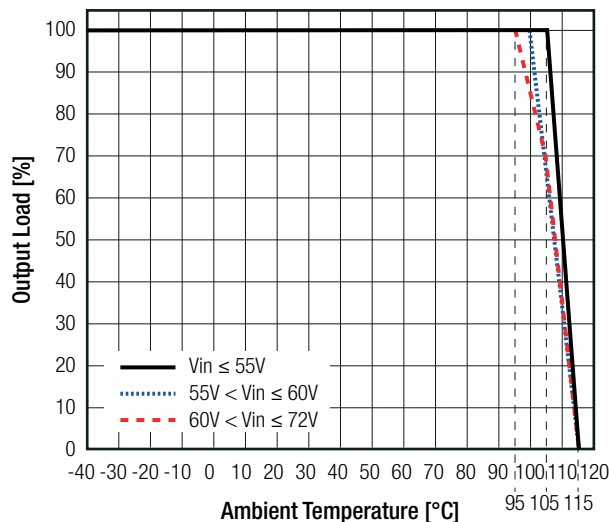
Parameter	Condition	Value
Short Circuit Protection (SCP)	below 100mΩ	continuous, automatic recovery
Over Current Protection (OCP)		hiccup mode, 160% typ.

**ENVIRONMENTAL**

Parameter	Condition	Value
Operating Temperature Range	@ natural convection 0.1m/s full load, 48Vin refer to derating graph	-40°C to +105°C -40°C to +115°C
Maximum Case Temperature		120°C
Temperature Coefficient		0.02%/K
Thermal Impedance	0.1m/s, horizontal	37K/W
Operating Altitude		2000m
Operating Humidity	non-condensing	5% - 95% RH max.
Pollution Degree		PD2
Shock		according to MIL-STD 202G standard
Vibration		according to MIL-STD 202G standard
MTBF	according to MIL-HDBK-217F, G.B.	+25°C +95°C 15000 x 10 <sup>3</sup> hours 1000 x 10 <sup>3</sup> hours

**Derating Graph**

(@ Chamber and natural convection 0.1 m/s)



**Specifications** (measured @ Ta= 25°C, nom. Vin, full load and after warm-up unless otherwise stated)

**SAFETY AND CERTIFICATIONS**

Certificate Type (Safety)	Report / File Number	Standard
RoHS2		RoHS 2011/65/EU + AM2015/863

EMC Compliance	Condition	Standard / Criterion
Electromagnetic compatibility of multimedia equipment - Emission requirements	with external filter	EN55032, Class A and B

**EMC Filter suggestion according to EN55032 Class A and B**



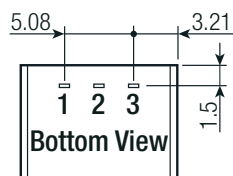
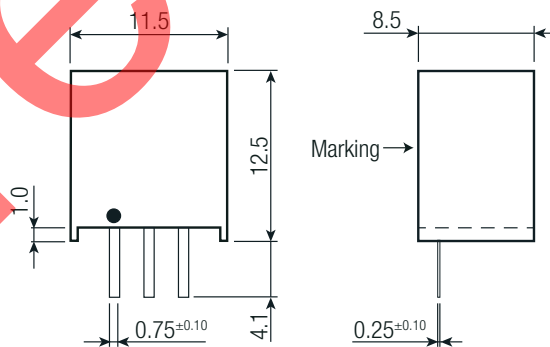
**Component List**

Level	C1	C2	L1
Class A	2.2µF	-	12µH choke RLS-126
Class B	2.2µF	2.2µF	68µH choke RLS-686

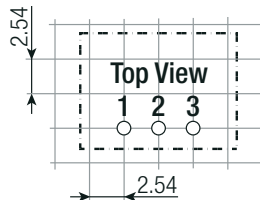
**DIMENSION AND PHYSICAL CHARACTERISTICS**

Parameter	Type	Value
Material	case potting PCB	non-conductive black plastic, (UL94 V-0) epoxy, (UL94 V-0) FR4, (UL94 V-0)
Dimension (LxWxH)		11.5 x 8.5 x 12.5mm
Weight		2.6g typ.

**Dimension Drawing (mm)**



**Recommended Footprint Details**



**Pin Connections**

Pin #	Function
1	+Vin
2	GND
3	+Vout

Tolerance: xx.x= ±0.50mm  
xx.xx= ±0.25mm