

# CC06FA

## Automotive grade fast-acting chip fuse



### Product features

- AEC-Q200 qualified
- 0603 (1608 metric) compact design utilizes less board space
- Rapid interruption of excessive current
- Compatible with reflow and wave solder
- Rugged ceramic and glass construction
- Excellent environmental integrity
- One time positive disconnect
- High breaking capacity up to 63 V
- Moisture sensitivity level (MSL) :1

### Applications

Automotive

- Battery management systems (BMS)
- Central body control module
- Doors, window lift and seat control
- Digital instrument cluster
- In-vehicle infotainment (IVI) and navigation
- Electric pumps, motor control and auxiliaries
- Powertrain control module (PCU)/engine control unit (ECU)
- Transmission control unit (TCU)

### Agency information

- UL Recognized File: File E19180
- AEC-Q200 qualified

### Ordering

- Use ordering codes (see page 3 for details)

### Packaging suffixes

- -TR (5,000 parts in paper tape on a 178 mm (7") reel)

### Electrical characteristics

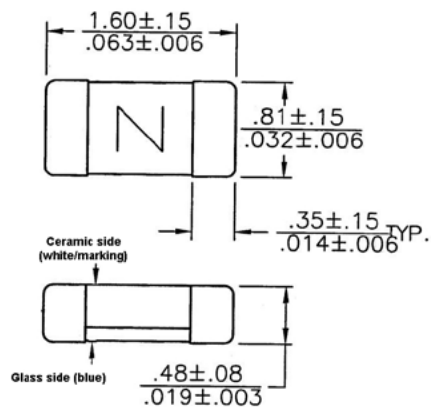
| Amp Rating     | % of Amp Rating | Opening Time       |
|----------------|-----------------|--------------------|
| 500 mA – 1.5 A | 100%            | 4 hours minimum    |
| 500 mA – 1.5 A | 200%            | 60 seconds maximum |

### Product specifications

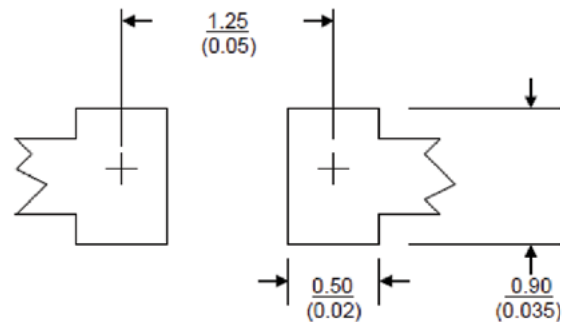
| Part Number <sup>5</sup> | Current rating (A) | Voltage rating (Vdc) | Interrupting rating <sup>1</sup> (A) | Typical DC cold resistance <sup>2</sup> ( $\Omega$ ) | Typical pre-arcing <sup>3</sup> I <sup>2</sup> t (A <sup>2</sup> s) | Typical voltage drop (V) | Part marking |
|--------------------------|--------------------|----------------------|--------------------------------------|--|---|--------------------------|--------------|
| CC06FA500mA              | 0.5                | 63                   | 50                                   | 1.025  | 0.0019  | 0.60                     | F            |
| CC06FA750mA              | 0.75               | 63                   | 50                                   | 0.510  | 0.003   | 0.50                     | G            |
| CC06FA1A                 | 1                  | 63                   | 50                                   | 0.150  | 0.007   | 0.211                    | H            |
| CC06FA1.25A              | 1.25               | 63                   | 50                                   | 0.132  | 0.008   | 0.201                    | J            |
| CC06FA1.5A               | 1.5                | 63                   | 50                                   | 0.086  | 0.0319  | 0.138                    | K            |

- DC interrupting rating measured at rated voltage, time constant less than 50 microseconds, battery source
- DC cold resistance measured at <10% of rated current
- Typical pre-arcing I<sup>2</sup>t measured with a battery bank at rated dc voltage, 10x-rated current, not to exceed IR, time constant of calibrated circuit less than 50 microsecond
- Typical voltage drop measured at rated current after temperature stabilizes
- Part Number Definition: CC06FAxxx-R  
CC06FA = Product code and size  
xxx - Ampere rating (mA or A)

### Dimensions—mm in



### Recommended pad layout



Fuse to be installed with ceramic side up (white/markings)