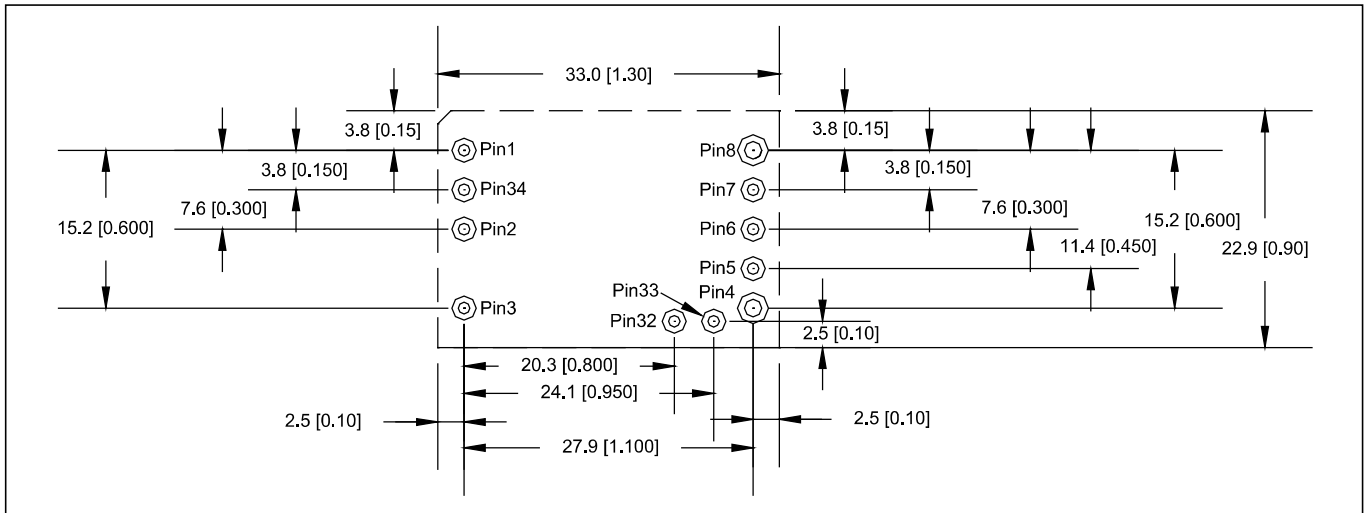


Mechanical Specification (DIP Style)

Recommended Hole Pattern (top view)



Pinout

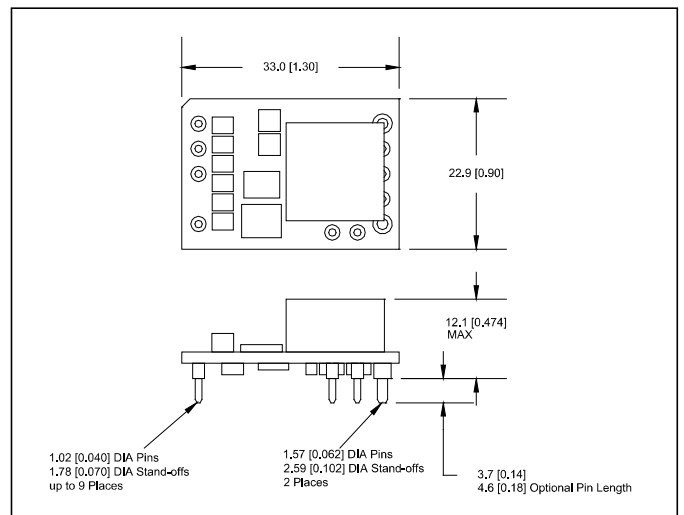
PIN	Function	PIN	Function
1	VIN (+)	7	SENSE (+)
2	ON / OFF	8	VOUT (+)
3	VIN (-)	32	Sync (Option)
4	VOUT (-)	33	MS (Option)
5	PWR GOOD (Option)	34	SEQ (Option)
6	TRIM		

Evaluation Boards (DIP Version)

Evaluation kit part #	Contents
i6A20A-001-EVK-S1PX	Populated with one piece of i6A4W020A033V-001-R
i6A20A-001-EVK-S1CC	Populated with one piece of i6A4W020A033V-001-R to set for constant current operation
i6A10A-001-EVK-S1PX	Populated with one piece i6A4W010A033V-001-R.
i6A10A-001-EVK-S1CC	Populated with one piece i6A4W010A033V-001-R set for constant current operation.

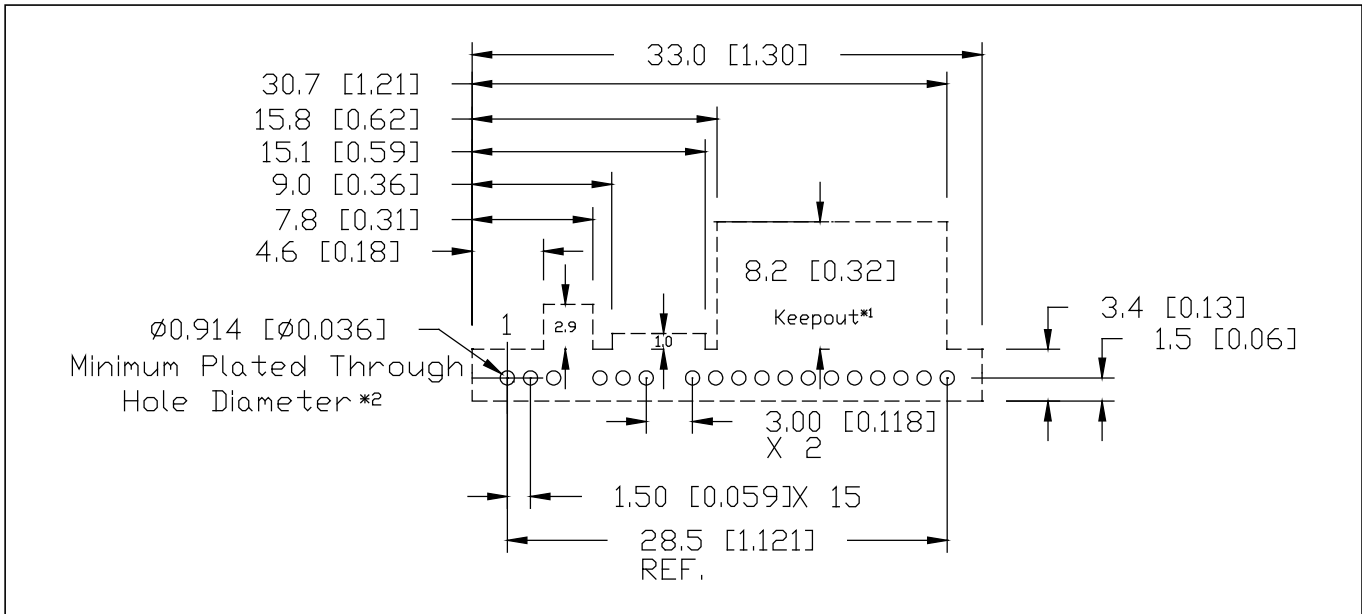
User manual available at I6A4W technical files in our website, contact technical support for more details on constant current version.

Mechanical Specification



Mechanical Specification (SIP Style)

Recommended Hole Pattern (top view)



Pinout

PIN	Function	PIN	Function
1	VIN (+)	10	TRIM
2	VIN (+)	11	VOUT (-)
3	VIN (+)	12	VOUT (-)
4	VIN (-)	13	VOUT (-)
5	ON / OFF	14	SENSE (+)
6	MS (Option)	15	VOUT (+)
7	Sync (Option)	16	VOUT (+)
8	SEQ (Option)	17	VOUT (+)
9	PWR GOOD (Option)	18	VOUT (+)

Mechanical Specification

