

# CC06FA

## Automotive grade fast-acting chip fuse



### Product features

- AEC-Q200 qualified
- 0603 (1608 metric) compact design utilizes less board space
- Rapid interruption of excessive current
- Compatible with reflow and wave solder
- Rugged ceramic and glass construction
- Excellent environmental integrity
- One time positive disconnect
- High breaking capacity up to 63 V
- Moisture sensitivity level (MSL) :1

### Applications

Automotive

- Battery management systems (BMS)
- Central body control module
- Doors, window lift and seat control
- Digital instrument cluster
- In-vehicle infotainment (IVI) and navigation
- Electric pumps, motor control and auxiliaries
- Powertrain control module (PCU)/engine control unit (ECU)
- Transmission control unit (TCU)

### Agency information

- UL Recognized File: File E19180
- AEC-Q200 qualified

### Ordering

- Use ordering codes (see page 3 for details)

### Packaging suffixes

- -TR (5,000 parts in paper tape on a 178 mm (7") reel)

### Electrical characteristics

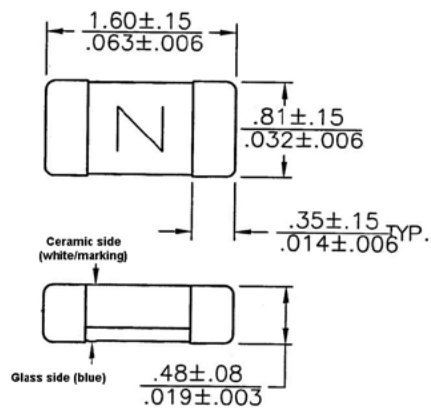
Amp Rating	% of Amp Rating	Opening Time
500 mA – 1.5 A	100%	4 hours minimum
500 mA – 1.5 A	200%	60 seconds maximum

### Product specifications

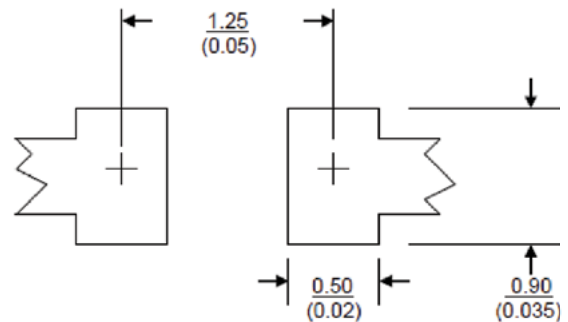
Part Number <sup>5</sup>	Current rating (A)	Voltage rating (Vdc)	Interrupting rating <sup>1</sup> (A)	Typical DC cold resistance <sup>2</sup> ( $\Omega$ )	Typical pre-arcing <sup>3</sup> I <sup>2</sup> t (A <sup>2</sup> s)	Typical voltage drop (V)	Part marking
CC06FA500mA	0.5	63	50	1.025	0.0019	0.60	F
CC06FA750mA	0.75	63	50	0.510	0.003	0.50	G
CC06FA1A	1	63	50	0.150	0.007	0.211	H
CC06FA1.25A	1.25	63	50	0.132	0.008	0.201	J
CC06FA1.5A	1.5	63	50	0.086	0.0319	0.138	K

- DC interrupting rating measured at rated voltage, time constant less than 50 microseconds, battery source
- DC cold resistance measured at <10% of rated current
- Typical pre-arcing I<sup>2</sup>t measured with a battery bank at rated dc voltage, 10x-rated current, not to exceed IR, time constant of calibrated circuit less than 50 microsecond
- Typical voltage drop measured at rated current after temperature stabilizes
- Part Number Definition: CC06FAxxx-R  
CC06FA = Product code and size  
xxx - Ampere rating (mA or A)

### Dimensions—mm in



### Recommended pad layout



Fuse to be installed with ceramic side up (white/markings)