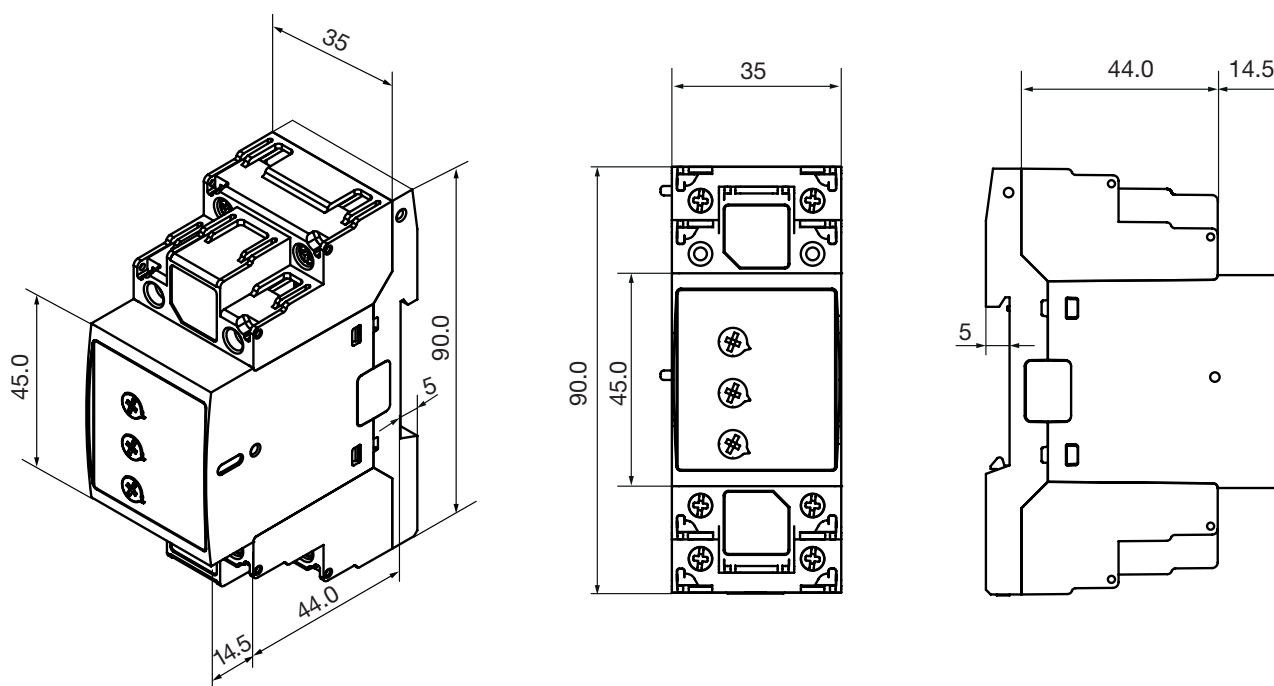


Features

General

Housing material	Nylon
Assembly	DIN rail mounting (According to EN 50022)
Degree of protection	IP20
Weight	110g



Power Supply

Power supply	Voltage range	15VDC to 30VDC
	Voltage type	DC, Ripple \leq 5% Self-powered from reading terminals
Consumption	1.5W	

Environmental



Operating temperature	-25° C to 60° C (-13° F to 140° F)
Storage temperature	-30°C to 80°C (-22° F to 176° F)
Relative humidity	up to 95% non-condensing
Pollution degree	2
Operating max altitude	2000m
Salinity	No saline environment
UV resistance	No UV exposure
Other	Zone 2 hazardous locations installation, with possible presence of Oil or Petrol gases

Vibration/Shock resistance	
Tests with the device outside the box: Vibration response (IEC60255-21-1) Vibration endurance (IEC 60255-21-1) Shock (IEC 60255-21-2) Bump (IEC 60255-21-2)	Class1 Class1 Class1 Class1
Tests with the device inside the box: Vibration, random (IEC60068-2-64) Shock (IEC 60255-21-2) Bump (IEC 60255-21-2)	Class1 Class1 Class1

Note:

Class 1: normal use in industrial plants, normal transportation condition.

► Compatibility and conformity

Approvals	 
CE-marking	LV directive, EMC directive EN 60947-5-1
cULus Marking	UL 508 CSA Standard C22.2 No. 14-10 – Industrial control equipment
Hazardous Locations approvals	UL 508 CSA Standard C22.2 No. 14-10 – Industrial control equipment CSA Standard C22.2 No. 213-M1987 (R2008) - Non-incendive Electrical Equipment for Use in Class I, division 2 Hazardous Locations ANSI/ISA 12.12.01-2010 – Non-incendive Electrical Equipment for Use in Class I, Division 2 Hazardous (Classified) Locations RoHS Directive

► Inputs

Measuring ranges	
Variable measuring	DC Voltage line measurement on A1 and A2

Voltage measurement	
Typology	DC Voltage line measurement on A1 and A2
Range for DC Line	15V to 30V
Adjustable Threshold range	16V to 26V
Overload range	< 15V or >30V
Repeatability	0.1V
Refresh time	According to alarms response time