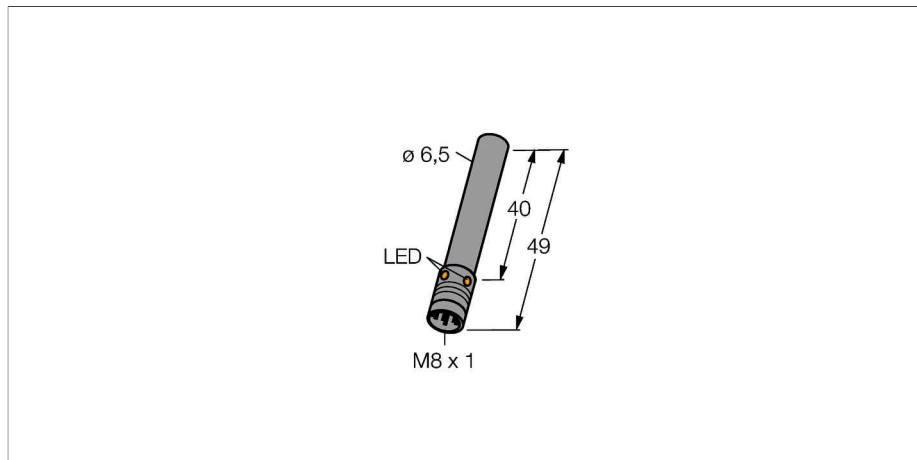


# BI2U-EH6.5-AP6X-V1131

## Inductive sensor



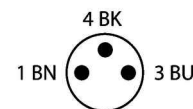
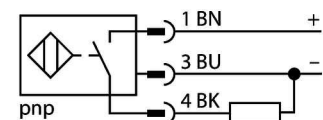
### Features

- Smooth barrel, Ø 6.5 mm
- Stainless steel, 1.4404
- Factor 1 for all metals
- Protection class IP68
- Resistant to magnetic fields
- Large switching distance
- High switching frequency
- Recessed mountable
- DC 3-wire, 10...30 VDC
- NO contact, PNP output
- M8 x 1 male connector

### Wiring diagram

### Technical data

<b>Type</b>	BI2U-EH6.5-AP6X-V1131
ID number	4281160
Rated switching distance	2 mm
Mounting conditions	Flush
Secured operating distance	≤ (0,81 x Sn) mm
Repeat accuracy	≤ 2 % of full scale
Temperature drift	≤ ± 10 %
Hysteresis	3...15 %
Ambient temperature	-30...+85 °C
Operating voltage	10...30 VDC
Residual ripple	≤ 10 % U <sub>ss</sub>
DC rated operational current	≤ 150 mA
No-load current	≤ 15 mA
Residual current	≤ 0.1 mA
Isolation test voltage	≤ 0.5 kV
Short-circuit protection	yes / Cyclic
Voltage drop at	≤ 1.8 V
Wire breakage/Reverse polarity protection	yes / Complete
Output function	3-wire, NO contact, PNP
Protection class	☐
Switching frequency	2 kHz
<b>Design</b>	Smooth barrel, 6.5 mm
Dimensions	49 mm
Housing material	Metal, V2A (1.4301)
Active area material	Plastic, PA12-GF20
Electrical connection	Connector, M8 x 1
Vibration resistance	55 Hz (1 mm)

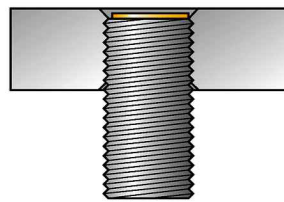
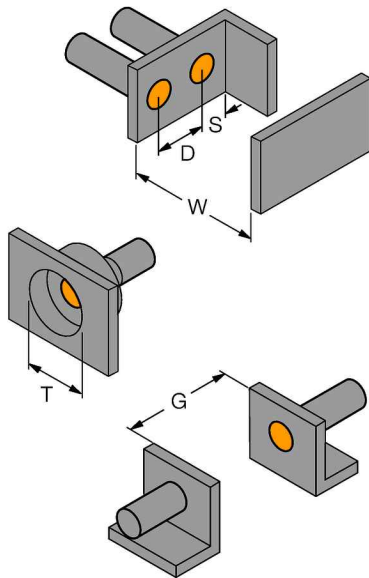


Inductive sensors detect metal objects contactless and wear-free. Due to the patented multi-coil system, *upro<sup>x</sup>*+ sensors have distinct advantages over conventional sensors. They excel in largest switching distances, maximum flexibility and operational reliability as well as efficient standardization.

## Technical data

Shock resistance	30 g (11 ms)
Protection class	IP68
MTTF	874 years acc. to SN 29500 (Ed. 99) 40 °C
Switching state	LED yellow

### Mounting instructions/Description



Distance D	13 mm
Distance W	6 mm
Distance T	20 mm
Distance S	10 mm
Distance G	12 mm
Diameter active area B	Ø 6.5 mm

All flush mountable *uprox*<sup>®</sup>+ threaded barrel types are also recessed mountable. Safe operation is ensured if the sensor is screwed in 0.5 mm.

## Wiring accessories

Type	ID number
PKG3M-2/TEL	6625385

Connection cable, female M8, straight, 3-pin, stainless steel coupling nut, cable length: 2 m, sheath material: PVC, black; cULus approval; other cable lengths and qualities available, see [www.turck.com](http://www.turck.com)

