

---

Shock resistance	50 gn conforming to EN/IEC 60068-2-27
------------------	---------------------------------------

---

**Offer Sustainability**

---

RoHS (date code: YYWW)	Compliant - since 1351 - Schneider Electric declaration of conformity <a href="#">Schneider Electric declaration of conformity</a>
------------------------	---

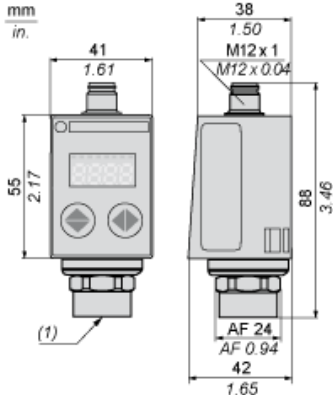
---

---

REACH	Reference not containing SVHC above the threshold <a href="#">Reference not containing SVHC above the threshold</a>
-------	--

---

Dimensions



(1) Fluid entry: G 1/4 A female