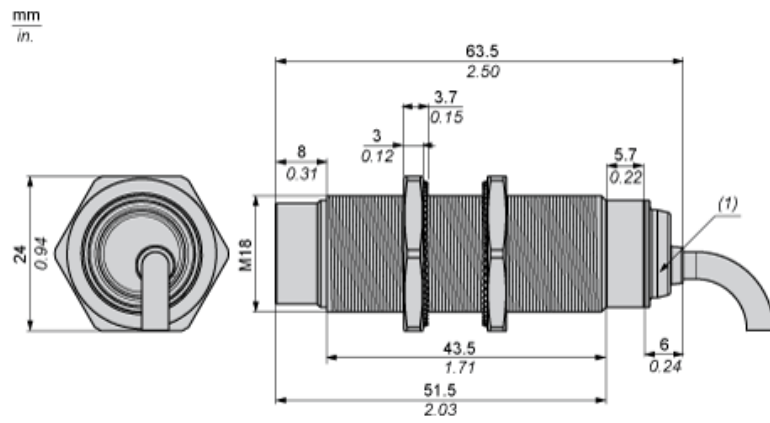


## Dimensions



## Minimum Mounting Distances

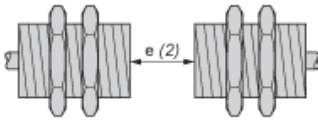
Side by side



e (1) 72 mm/2.83 in.

≥

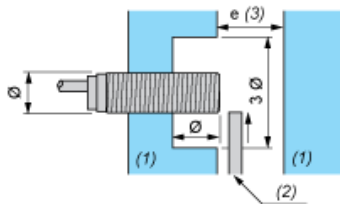
Face to face



e (2) 144 mm/5.67 in.

≥

Facing a metal object



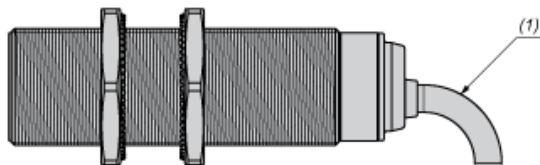
e (3) 36 mm/1.42 in

≥

(1) Metal

(2) Object to be detected

## Mounting



(1) Bending cable: 4 x external cable diameter