

PROFIBUS-DP - connectors (M12, Sub-D)

PROFIBUS Sub-D connector with M12 (90°)

Weidmüller's new Sub-D product line features fully shielded connector variants that enable direct tapping with M12 cables. This allows you to avoid the types or errors that often occur when installing similar connectors with screw connections. The increased contact reliability of the Sub-D connectors more than compensates for the cost of the extra M12 connectors.

Special features:

- Complete shielded housing
- Compact housing for small places
- Connection without any mistake because of the M12 connector
- 100% certified components

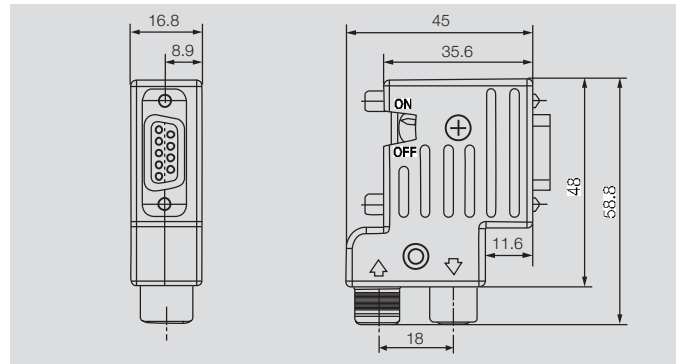
Technical data

Data rate	acc. to PROFIBUS Specification, 12Mbit/s
Connector pinning	acc. to PROFIBUS Specification
PROFIBUS DP connector	D-Sub 9-polig, male
PROFIBUS DP program connector	D-Sub 9-polig, female
PROFIBUS cable connector	M12 B coded, male + female, Pin 2 and 4, connected, Cable output: M12 female, Cable entry: M12 male
Mechanical lifetime	200 connections
Temperature range	-20 °C to +70 °C
Humidity	Max. 75 % at +25 °C, non condensing
Ingress protection class	IP30
Housing material	ZnAl
D-Sub screw connection	UNC 4-40

Note

PB-DP SUB-D M12 TERM

PROFIBUS-Connector 90° M12 with switch, without programming connector



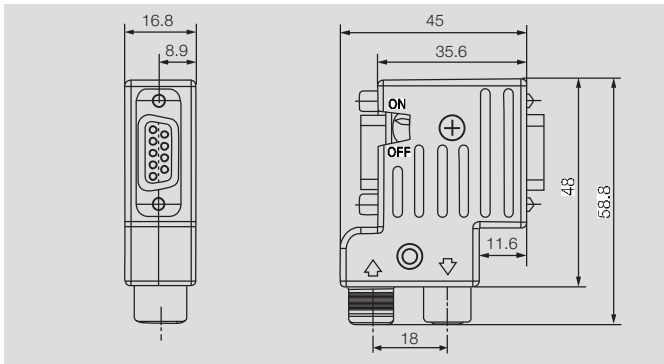
Ordering data

Type	Qty.	Order No.
PB-DP SUB-D M12 TERM	1	1140650000

PROFIBUS Sub-D connector with M12 (90°)

PB-DP SUB-D M12 TERM PS

PROFIBUS-Connector 90° M12 with switch, with programming connector



Ordering data

Type	Qty.	Order No.
PB-DP SUB-D M12 TERM PS	1	1140640000

