

Head-mounted transducer - MCR-SL-HT-PT 100-I - 2864516

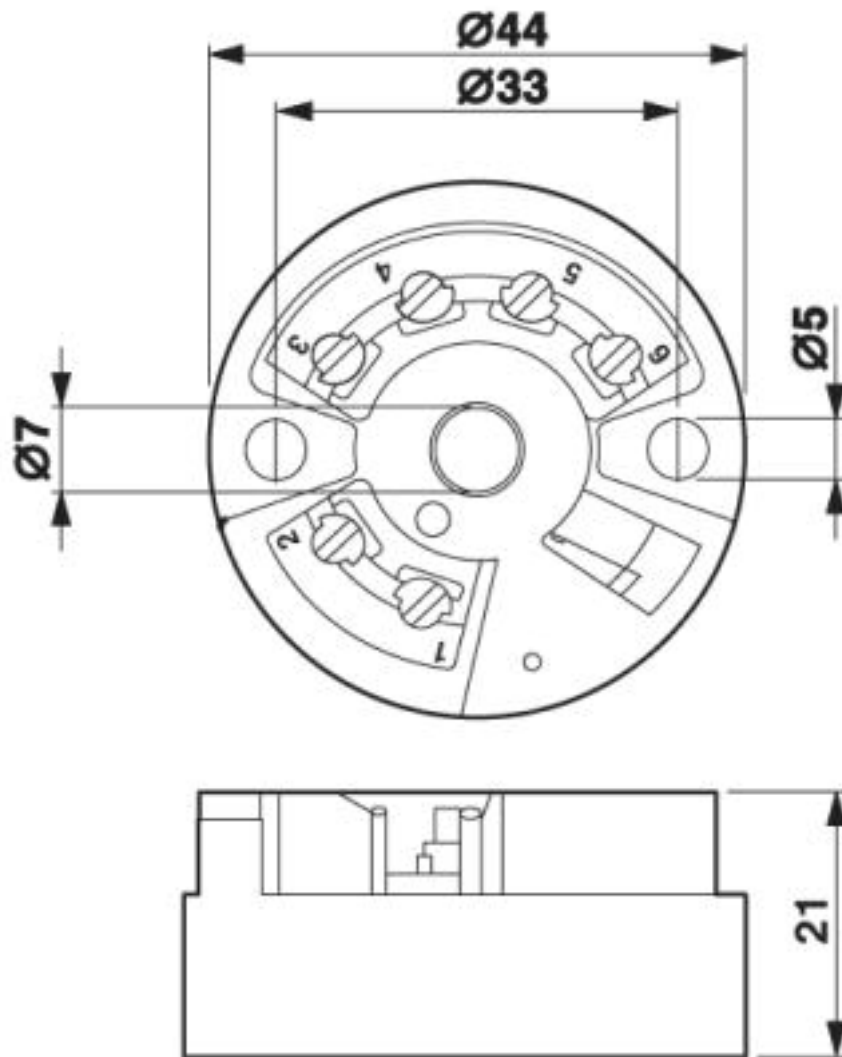
Technical data

Environmental Product Compliance

China RoHS	Environmentally friendly use period: unlimited = EFUP-e
	No hazardous substances above threshold values

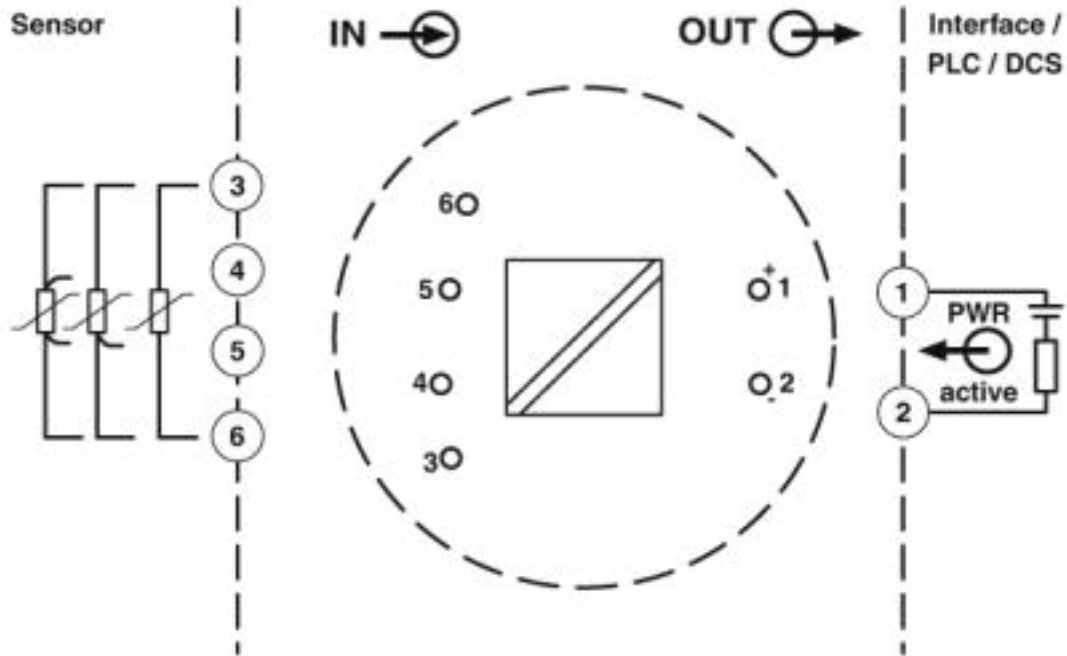
Drawings

Dimensional drawing



Head-mounted transducer - MCR-SL-HT-PT 100-I - 2864516

Block diagram



Block diagram MCR-SL-HT-PT 100-I

Pictogram

