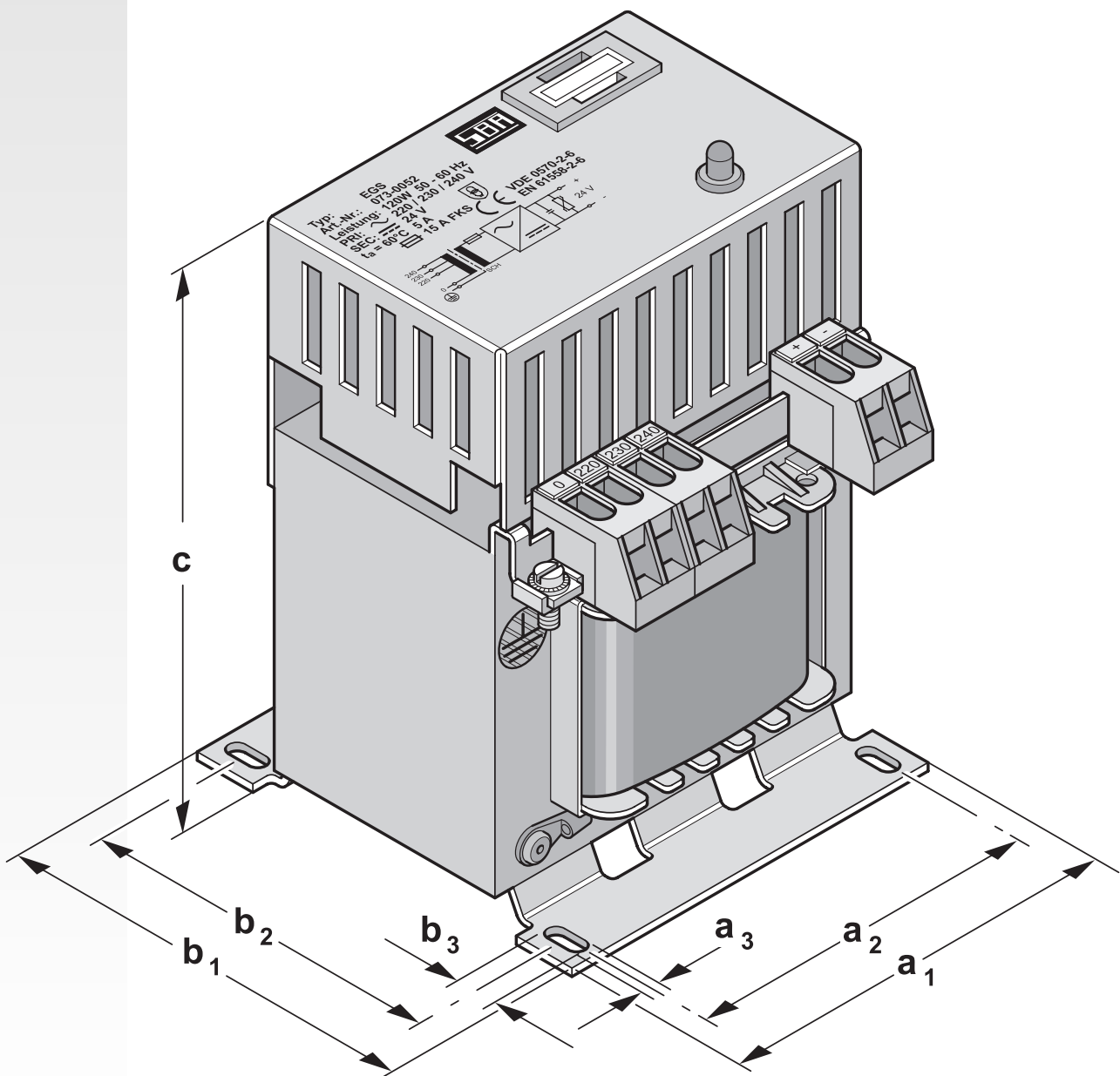


## Type EGS

DC power supplies to VDE 0570-2-6/EN 61558-2-6

### Application

For general applications, e. g., for supplying control circuits in switchgear systems, distribution boards, machines, etc. with safety extra-low voltage (SELV). Suited in particular, as power supply of programmable logic controllers (PLC).





## Construction

- ➔ Open construction (IP 00, incorporation up to max. IP 23))
- ➔ **DC power supply to VDE 0570-2-6/ EN 61558-2-6** with built-in safety isolating transformer
- ➔ Line-side variable tapping
- ➔ Fastening dimensions to DIN 41308
- ➔ Connection to safe-to-touch screw clamping terminals with self-releasing clamp
- ➔ Output configuration: varistor, filter capacitor (105 °C) and discharge resistance
- ➔ **Output components covered safe-to-touch acc. to VDE 0106, part 100**
- ➔ High-grade, tropicalized vacuum impregnations in black polyester impregnating resin
- ➔ Performance data with circuit diagram printed on product
- ➔ Products are overload and short circuit resistant due to integrated blade fuse
- ➔ **No additional fusing required if incorporated**
- ➔ Output voltage indicated by green LED

## Specifications

Output range	72 W - 192 W
Input voltage	AC 220/230/240 V or AC 380/400/420 V
Output voltage	SELV DC 24 V to EN 61131-2
Ripple factor (typ.)	< 5 %
Frequency	50-60 Hz
Vector group	li0 <b>shielding winding</b>
Protection class	I
Protection index	IP 00
Ambient temperature	<b>max. 60 ° C</b>
Interference emission	EN 61000-6 -3/-4, (class B)
Interference immunity	EN 61000-6 -1/-2

## Overview

### Input voltage: 220/230/240 V

Type	Article no.	Rated output current A	Fuse	No-load voltage V	Total weight appr. kg	a <sub>1</sub>	b <sub>1</sub>	Dimensions approx. mm				
								a <sub>2</sub>	b <sub>2</sub>	a <sub>3</sub>	b <sub>3</sub>	c
EGS 2403	043-0259	3	5 A (5 x 20 mm)	27.1	2.3	94	94	64	64	4.8	8	120
EGS 2405	073-0052	5	15 A	27.1	3.8	101	113	84	87	5.8	9	139
EGS 2408	075-0078	8	20 A	27.1	5.4	130	109	90	85	5.8	12	175

Type EGS 2403 also available ex stock for top hat rail snap-on to DIN EN 50022(article no. 043-0390).

### Input voltage: 380/400/420 V

Type	Article no.	Rated output current A	Fuse	No-load voltage V	Total weight appr. kg	a <sub>1</sub>	b <sub>1</sub>	Dimensions approx. mm				
								a <sub>2</sub>	b <sub>2</sub>	a <sub>3</sub>	b <sub>3</sub>	c
EGS 4002403	043-0264	3	5 A (5 x 20 mm)	27.1	2.3	94	94	64	64	4.8	8	120
EGS 4002405	073-0063	5	15 A	27.1	3.8	101	113	84	87	5.8	9	139
EGS 4002408	075-0092	8	20 A	27.1	5.4	130	109	90	85	5.8	12	175

Type EGS 400 2403 also available ex stock for top hat rail snap-on to DIN EN 50022(article no. 043-0391).

The values in the table above are for the thermal steady state at 60 °C ambient temperature.