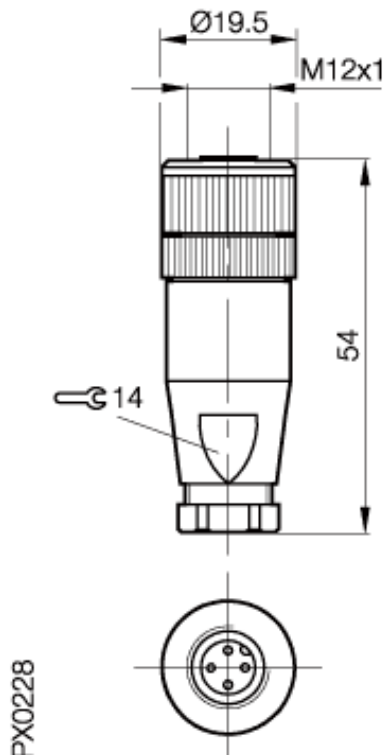


## Accessories: Connectors BKS-S 10-4



### Common Data

Version  
Usable with  
PNP, M12)  
Manufacturer  
Ambient temperature  
Function display  
Supply voltage display

Connector, straight, 4-pin  
on Sensors with connection S4(DC,

Binder  
-40°C...+85°C°C  
yes  
yes

### Mechanical Data

Measurements WxHxD or Dia x D  
Material  
Weight  
Protection class per IEC 60529  
Conductor cross section

54 x 19,5mm  
PBTP GV  
12g  
67IP  
max. 0,75mm<sup>2</sup>mm<sup>2</sup>

### Electrical Data

Supply voltage

10...30VDCV



Datasheet number::

Definitions see general catalog.  
If not otherwise noted, ratings according to  
IEC 60947-5-2 (DIN EN60947-5-2)

Balluff GmbH  
P.O.Box 1160  
73761 Neuhausen Germany  
Phone (07158) 173-0 Fax (07158) 5010