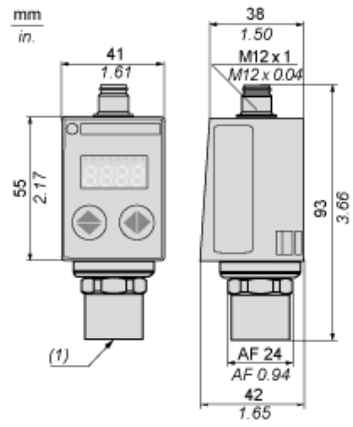


Dimensions



(1) Fluid entry: G 1/4 A female

---

Connections and Schema

---

Connector Wiring

