

## Offer Sustainability

---

REACH Regulation

 [REACH Declaration](#)

---

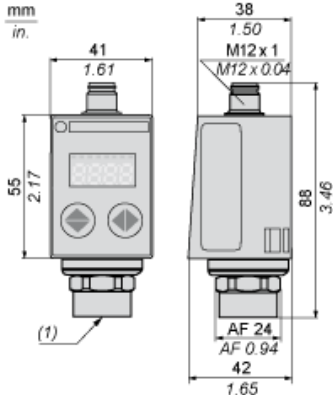
EU RoHS Directive

Pro-active compliance (Product out of EU RoHS legal scope)

 [EU RoHS Declaration](#)

---

Dimensions



(1) Fluid entry: G 1/4 A female