



OFFICIAL DISTRIBUTOR

RGB ELEKTRONIKA AGACIAK CIACIEK SP.J.
ul. Jana Długosza 2-6
51-162 Wrocław

+48 71 325 15 05
biuro@rgbelektronika.pl

ENCODER RON 225 18000 RON22518000 TTL 18000 PPR +5V REPLACEMENT
ID23622



PRECIZIKA
METROLOGY



A90H

PHOTOELECTRIC ANGLE ENCODER



Photoelectric angle encoder A90H is used to measure angular position of the key machine components, industrial robots, comparators, rotary tables and to establish an informational link with DCC, NC or Digital Readout Units. It provides information about the value and direction of motion. The encoder is used in automatic control, on-line gauging, process monitoring systems, etc.

Three versions of output signals are available:

- A90H-A - sinusoidal signals, with amplitude approx. 1 V_{pp};

- A90H-AV - sinusoidal signals, with amplitude approx. 1 V_{pp};
- A90H-F - square-wave signals (TTL) with integrated subdividing electronics for interpolation x1, x2, x5, x10, x20, x25, x50 and 100.

The modification with distance-coded reference marks is available.

The encoder has two coupling versions: P- via shaft collar and H – via central screw.

MECHANICAL DATA

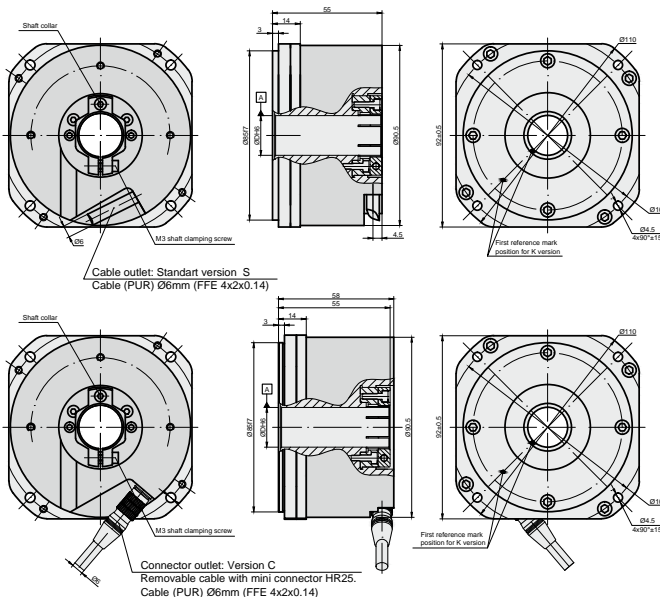
| | |
|---|--|
| Line number on disc (z) | 18000 |
| Number of output pulses per revolution for A90H-F | Z x k, where k = 1, 2, 3, 4, 5, 8, 10, 20, 25, 50, 100 |
| Reference signal: - standard (S) - distance-coded (K) | one per shaft revolution 36 per shaft revolution |
| Permissible mech. speed | ≤ 3000 rp |
| Max. operating speed (depends on number of output pulses) | 600 to 1000 rpm |
| Accuracy grades | ±5.0 arc. sec; ±7.5 arc. sec |
| Starting torque at 20°C | ≤ 0.08 Nm |

Permissible shaft run out:

- axial 0.02 mm
- radial ±0.02 mm

| | |
|---------------------------------------|---|
| Rotor moment of inertia | < 0.6x10 ⁻⁴ kgm ² |
| Protection (IEC 529) | IP64 |
| Maximum weight without cable | 1.2 kg |
| Operating temperature | 0...+70 °C |
| Storage temperature | -30...+85 °C |
| Maximum humidity (non condensing) | 98 % |
| Permissible vibration (55 to 2000 Hz) | ≤ 100 m/s ² |
| Permissible shock (5 ms) | ≤ 300 m/s ² |

MOUNTING TYPE P (CLAMP)

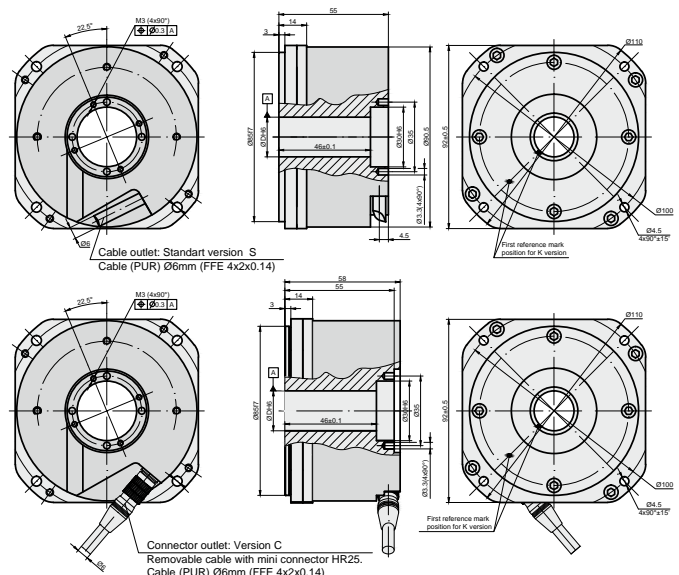


øD, mm

20

22

MOUNTING TYPE H (SCREW)



øD, mm

20

22

