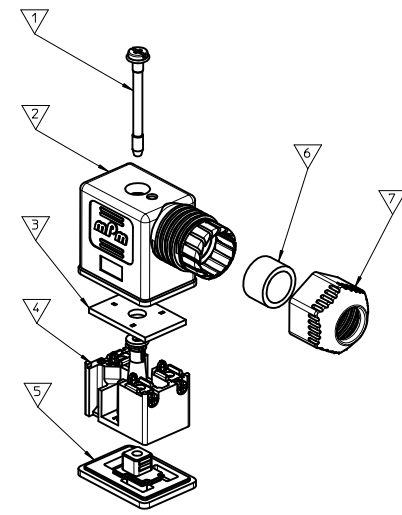


ITEM	DESCRIPTION
1	31mm M3 SCREW WITH GASKET
2	TYPE B COVER
3	PCB
4	TYPE B IND INSERT
5	TYPE B GASKET
6	GROMMET
7	EXTERNAL NUT



S22200NC410R**

SERIES _____
 S22= EXTERNAL THREAD FORM B INDUSTRIAL
 POLES _____
 2= 2 POLE
 THREAD _____
 00 = EXTERNAL THREAD
 MATERIAL AND HOUSING COLOR _____
 G= PA6 GRAY, N= PA6 BLACK, W= PA6 BLACK V0,
 B= WHITE, T= TRANSPARENT
 CIRCUIT _____
 SEE DETAILS IN CATALOGUE
 VOLTAGE _____
 SEE DETAILS IN CATALOGUE
 GROUND POSITION _____
 0= UNMOUNTED, 2= H12, 3=H3, 6 =H6 & 9= H9
 SCREW AND GASKET _____
 R= INTEGRATED NBR GASKET AND IP67 SCREW
 S= INTEGRATED SILICON GASKET AND IP67 SCREW
 NON STANDARD PACKAGING _____
 CN= BULK PACK UN-MOUNTED
 SN= BULK PACK MOUNTED
 67= NEUTRAL PACKAGING

NOTES:

- FOR SPECIFIC PART NUMBERS PLEASE CONTACT SALES OR CONSULT THE INTELLIGENT PART NUMBERS IN THE TABLE ATTACHED
- PACKAGING SPECIFICATION: PLEASE SEE PK-121201-001
- PRODUCT SPECIFICATION: PLEASE SEE PS-121201-001
- CABLE SIZES 4 - 9 MM DIAMETER
- TIGHTENING TORQUES: SEE PS-121201-001
- GROUND POSITION SHOWN H12

LAST INSPECTION NUMBER 8

ADDED OPTIONS EC NO: WEU2011-0371 DRAWN:DCARTON 2011/01/25 CHKD: APPR:EFOLAN 2011/02/11	QUALITY SYMBOLS ▽=0 ▽=0	GENERAL TOLERANCES (UNLESS SPECIFIED)		DIMENSION STYLE MM ONLY		SCALE 1:1	DESIGN UNITS METRIC	THIRD ANGLE PROJECTION	
		4 PLACES ±--- ±---	3 PLACES ±--- ±---	DRAWN BY DMAHER_WEU	DATE 2010/03/15	TITLE EXTERNAL THREAD S22 SERIES 121208			
		2 PLACES ±0.1 ±---	1 PLACE ±0.2 ±---	CHECKED BY	DATE	APPROVED BY JWALLACE			
		ANGULAR ±---°		DATE 2010/03/24		MATERIAL NO.			
DRAFT WHERE APPLICABLE MUST REMAIN WITHIN DIMENSIONS				SEE TABLES		DOCUMENT NO. SD-121208-001		SHEET NO. 1 OF 6	
THIS DRAWING CONTAINS INFORMATION THAT IS PROPRIETARY TO MOLEX INCORPORATED AND SHOULD NOT BE USED WITHOUT WRITTEN PERMISSION									

Part No	MPM Part No	DESCRIPTION	CIRCUIT	VOLTAGE	INDICATOR
1212080034	S22200TA010R	TYPE B IND TRANSPARENT	A0	12v	LAMP/NEON
1212080035	S22200TA020R	TYPE B IND TRANSPARENT	A0	24v	LAMP/NEON
1212080036	S22200TA030R	TYPE B IND TRANSPARENT	A0	48v	LAMP/NEON
1212080037	S22200TA040R	TYPE B IND TRANSPARENT	A0	115v	LAMP/NEON
1212080038	S22200TA050R	TYPE B IND TRANSPARENT	A0	230v	LAMP/NEON

Part No	MPM Part No	DESCRIPTION	CIRCUIT	VOLTAGE	INDICATOR
1212080039	S22200TA110R	TYPE B IND TRANSPARENT	A1	12v	RED LED
1212080040	S22200TA120R	TYPE B IND TRANSPARENT	A1	24v	RED LED
1212080041	S22200TA130R	TYPE B IND TRANSPARENT	A1	48v	RED LED
1212080042	S22200TA140R	TYPE B IND TRANSPARENT	A1	115v	RED LED
1212080043	S22200TA150R	TYPE B IND TRANSPARENT	A1	230v	RED LED
1212080044	S22200TA1A0R	TYPE B IND TRANSPARENT	A1	12v	GREEN LED
1212080045	S22200TA1B0R	TYPE B IND TRANSPARENT	A1	24v	GREEN LED
1212080046	S22200TA1C0R	TYPE B IND TRANSPARENT	A1	48v	GREEN LED
1212080047	S22200TA1D0R	TYPE B IND TRANSPARENT	A1	115v	GREEN LED
1212080048	S22200TA1E0R	TYPE B IND TRANSPARENT	A1	230v	GREEN LED
1212080049	S22200TA1G0R	TYPE B IND TRANSPARENT	A1	12v	AMBER LED
1212080050	S22200TA1H0R	TYPE B IND TRANSPARENT	A1	24v	AMBER LED
1212080051	S22200TA1K0R	TYPE B IND TRANSPARENT	A1	48v	AMBER LED
1212080052	S22200TA1L0R	TYPE B IND TRANSPARENT	A1	115v	AMBER LED
1212080053	S22200TA1M0R	TYPE B IND TRANSPARENT	A1	230v	AMBER LED

Part No	MPM Part No	DESCRIPTION	CIRCUIT	VOLTAGE	INDICATOR
1212080054	S22200TC310R	TYPE B IND TRANSPARENT	C3	12v	RED LED
1212080055	S22200TC320R	TYPE B IND TRANSPARENT	C3	24v	RED LED
1212080056	S22200TC330R	TYPE B IND TRANSPARENT	C3	48v	RED LED
1212080057	S22200TC340R	TYPE B IND TRANSPARENT	C3	115v	RED LED
1212080058	S22200TC350R	TYPE B IND TRANSPARENT	C3	230v	RED LED
1212080059	S22200TC3A0R	TYPE B IND TRANSPARENT	C3	12v	GREEN LED
1212080060	S22200TC3B0R	TYPE B IND TRANSPARENT	C3	24v	GREEN LED
1212080061	S22200TC3C0R	TYPE B IND TRANSPARENT	C3	48v	GREEN LED
1212080062	S22200TC3D0R	TYPE B IND TRANSPARENT	C3	115v	GREEN LED
1212080063	S22200TC3E0R	TYPE B IND TRANSPARENT	C3	230v	GREEN LED
1212080064	S22200TC3G0R	TYPE B IND TRANSPARENT	C3	12v	AMBER LED
1212080065	S22200TC3H0R	TYPE B IND TRANSPARENT	C3	24v	AMBER LED
1212080066	S22200TC3K0R	TYPE B IND TRANSPARENT	C3	48v	AMBER LED
1212080067	S22200TC3L0R	TYPE B IND TRANSPARENT	C3	115v	AMBER LED
1212080068	S22200TC3M0R	TYPE B IND TRANSPARENT	C3	230v	AMBER LED

Part No	MPM Part No	DESCRIPTION	CIRCUIT	VOLTAGE	INDICATOR
1212080069	S22200TC410R	TYPE B IND TRANSPARENT	C4	12v	RED LED
1212080070	S22200TC420R	TYPE B IND TRANSPARENT	C4	24v	RED LED
1212080071	S22200TC430R	TYPE B IND TRANSPARENT	C4	48v	RED LED
1212080072	S22200TC440R	TYPE B IND TRANSPARENT	C4	115v	RED LED
1212080073	S22200TC450R	TYPE B IND TRANSPARENT	C4	230v	RED LED
1212080074	S22200TC4A0R	TYPE B IND TRANSPARENT	C4	12v	GREEN LED
1212080075	S22200TC4B0R	TYPE B IND TRANSPARENT	C4	24v	GREEN LED
1212080076	S22200TC4C0R	TYPE B IND TRANSPARENT	C4	48v	GREEN LED
1212080077	S22200TC4D0R	TYPE B IND TRANSPARENT	C4	115v	GREEN LED
1212080078	S22200TC4E0R	TYPE B IND TRANSPARENT	C4	230v	GREEN LED
1212080079	S22200TC4G0R	TYPE B IND TRANSPARENT	C4	12v	AMBER LED
1212080080	S22200TC4H0R	TYPE B IND TRANSPARENT	C4	24v	AMBER LED
1212080081	S22200TC4K0R	TYPE B IND TRANSPARENT	C4	48v	AMBER LED
1212080082	S22200TC4L0R	TYPE B IND TRANSPARENT	C4	115v	AMBER LED
1212080083	S22200TC4M0R	TYPE B IND TRANSPARENT	C4	230v	AMBER LED

Part No	MPM Part No	DESCRIPTION	CIRCUIT	VOLTAGE	INDICATOR
1212080084	S22200TD010R	TYPE B IND TRANSPARENT	D0	12v	VDR
1212080085	S22200TD020R	TYPE B IND TRANSPARENT	D0	24v	VDR
1212080086	S22200TD030R	TYPE B IND TRANSPARENT	D0	48v	VDR
1212080087	S22200TD040R	TYPE B IND TRANSPARENT	D0	115v	VDR
1212080088	S22200TD050R	TYPE B IND TRANSPARENT	D0	230v	VDR

Part No	MPM Part No	DESCRIPTION	CIRCUIT	VOLTAGE	INDICATOR
1212080093	S22200NE050R	TYPE B IND BLACK	E0	230v	DIODE

Part No	MPM Part No	DESCRIPTION - BULK PACKED
1212080001	S22200BC432RSN	48V RED LED NBR GASKET
1212080033	S22200TC422RSN	24V RED LED NBR GASKET

SEE SHEET 1 EC NO: WEU2011-0371 DRAWN: JCARTON 2011/01/25 CHKD: APPR: EFOLAN 2011/02/11 DESCRIPTION	QUALITY SYMBOLS	GENERAL TOLERANCES (UNLESS SPECIFIED)	DIMENSION STYLE MM ONLY	SCALE 1:1	DESIGN UNITS METRIC	THIRD ANGLE PROJECTION
	▽=0	4 PLACES ± --- ± ---	mm INCH	DRAWN BY DMAHER_WEU	DATE 2010/03/15	TITLE EXTERNAL THREAD S22 SERIES 121208
	▽=0	3 PLACES ± --- ± ---		CHECKED BY	DATE	
		2 PLACES ± 0.1 ± ---		APPROVED BY JWALLACE	DATE 2010/03/24	MOLEX INCORPORATED
	1 PLACE ± 0.2 ± ---	ANGULAR ± ---°	MATERIAL NO.	DOCUMENT NO.	SHEET NO.	
	DRAFT WHERE APPLICABLE MUST REMAIN WITHIN DIMENSIONS		SEE TABLES	SD-121208-001	2 OF 6	
			SIZE A2	THIS DRAWING CONTAINS INFORMATION THAT IS PROPRIETARY TO MOLEX INCORPORATED AND SHOULD NOT BE USED WITHOUT WRITTEN PERMISSION		