

RHS16225D



Accessories: Heatsinks



Main features

- 1.3°C/W thermal resistance
- Suitable for mounting of 1-phase SSRs or 3-phase SSRs
- Panel or thru wall mounting
- Dimensions W x H x D: 162 x 100 x 25 mm
- RoHS compliant

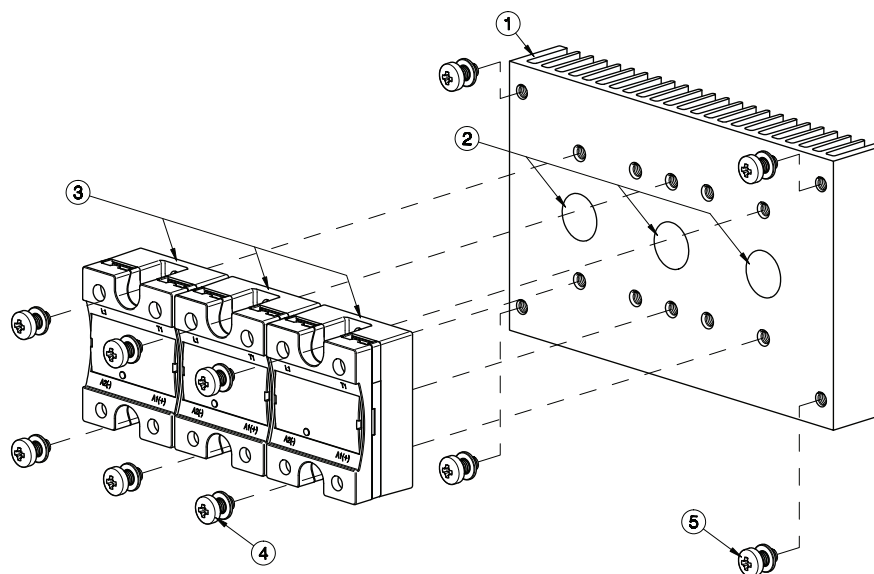
Description

Heatsink assembly suitable for mounting of maximum 3x 1- phase solid state relay (SSR) or 1x 3-phase SSR.

Suffix H55 added to SSR part no. refers to factory mounted heatsink. Conditions apply. Please ask your sales representative for further details.

Structure

1-phase SSR



Element	Component	Qty	RHS16225D
1	RHS16225D heatsink assembly	1	Provided
2	Thermal Compound or Pad	1	Not provided
3	1-phase SSR 45x59mm (max.)	3	Not provided
4	M5x10mm PZ2 + Washer (per SSR)	2	Not provided
5	Thru wall panel mounting screws M5	4	Not provided

Note:

* 58mm for RK..C, 69mm for RK..P (including plug).

Dimensions including the SSR.