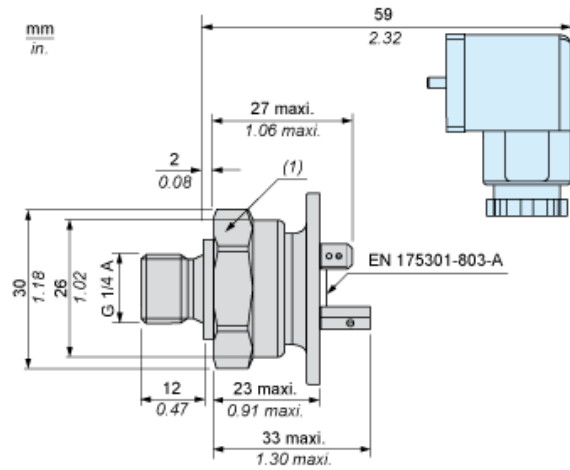


Dimensions



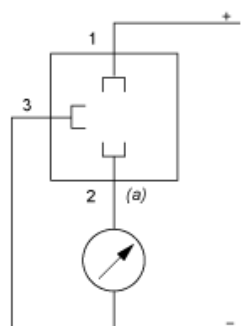
(1) SW27 Tightening torque  $\leq 25$  Nm / 221 Lb-in

---

Wiring Diagram

---

3-Wire Technique (0-10 V)



(a) V out