

Contents

Description	Page
Catalog Number Selection	34-3
Product Selection	34-4
Accessories	34-5
Technical Data and Specifications	34-10
Dimensions	34-13
Reference Data	34-200



Product Description

Eaton's new line of **XT** Relays and Timers includes mini and standard frame control relays and auxiliary contacts, mini electronic on-delay and multi-function timers and an electronic star-delta (wye-delta) timer for use in star-delta (wye-delta) combinations. Because **XT** meets UL, CSA, CCC and CE standards, it is the perfect product solution for IEC applications all over the world. The compact, space saving, and easy to install **XT** line of IEC contactors and starters is the efficient and effective solution for customer applications.

Features

- For use with Mini and Standard frame size contactors and starters
- Control Relays
 - AC Control from 12V to 550V 50 Hz, 600V 60 Hz
 - DC Control from 12V to 220V
- On-Delay and Multi-Function Timers
 - 24 – 240V AC/DC Control
- Available with screw or spring cage terminals
- 4-Pole Configurations
- IP20 finger and back-of-hand proof
- Large ambient temperature range: -25° to 50°C [-13° to 122°F]
- The XTRE Control Relays have positively driven contacts between the relay and the auxiliary contact modules as well as within the auxiliary contact modules

Standards and Certifications

- IEC EN 60947
- CE Approved
- UL
- CSA
- CCC
- ATEX

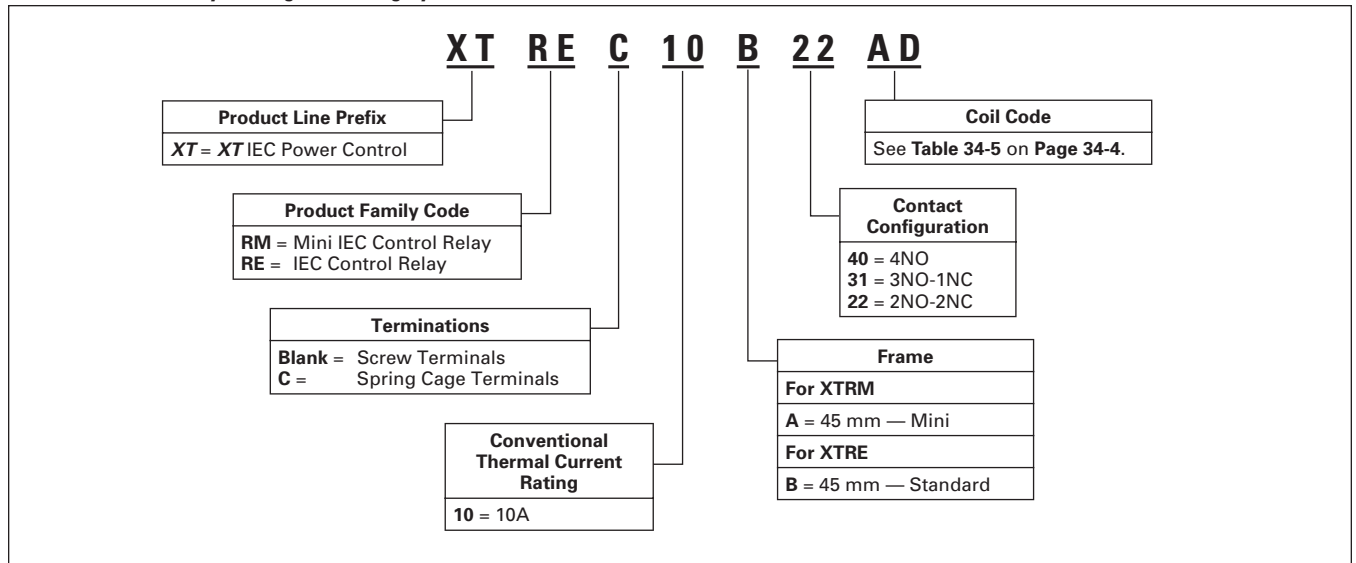


Instructional Leaflets

Pub51219	Inside of Packaging XTRM Mini Control Relays
Pub51210	Inside of Packaging 7-15A XTCE Contactors and XTRE Control Relays
Pub51244	XTTR Electronic Star-Delta (Wye-Delta) Timer
Pub51245	XTMT Mini Electronic On-Delay and Multi-Function Timers

Catalog Number Selection

Table 34-1. XT — Relay Catalog Numbering System



34

Table 34-2. XT — Timers Catalog Numbering System

