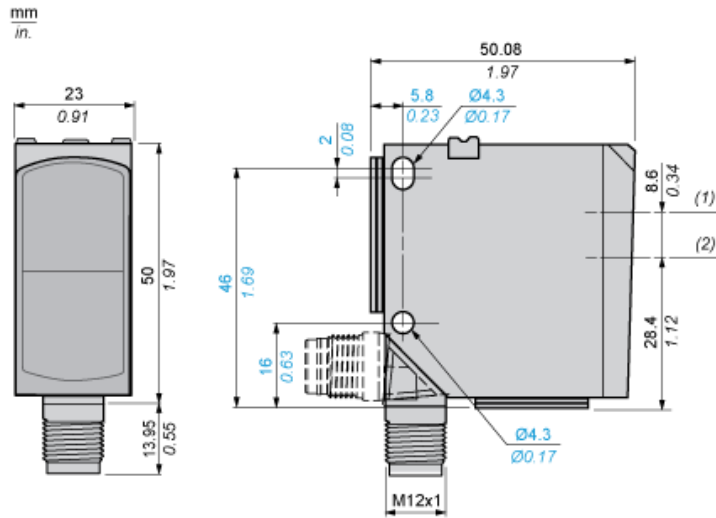


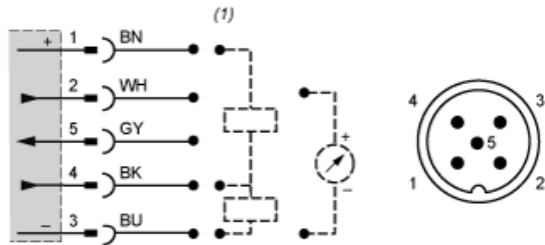
Dimensions



- (1) Transmitter optical axis
- (2) Receiver optical axis

Connections and Schema

Connector Wiring



- (1) Auto-detect
1: + UB (BN: Brown)
2: QA (WH: White)
3: -UB (BU: Blue)
4: Q (BK: Black)
5: IN (GY: Grey)