

# Industrial Thermocouples Protection Head Design



- ✓ Sheath Materials:  
304SS, 310SS, 316SS,  
321SS, Inconel® or  
Super OMEGA CLAD® XL
- ✓ Probe Length 300  
mm (12"), 600 mm  
(24") Custom Lengths  
Available, Consult Sales



Probe length includes approximately 12.5 mm (1/2") allowance for threads.

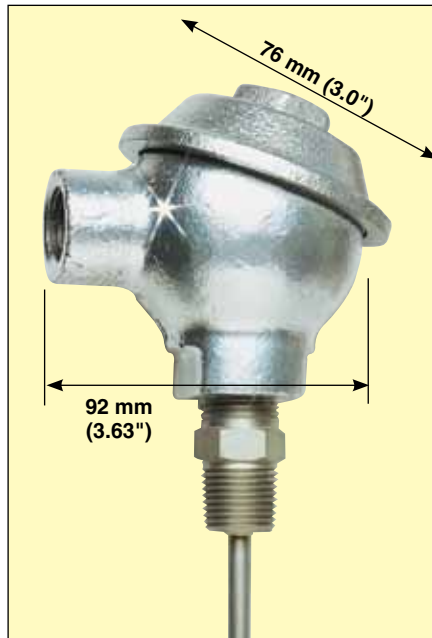
1/2 NPT mounting threads

*Note: All industrial heads shown are available for purchase separately.*

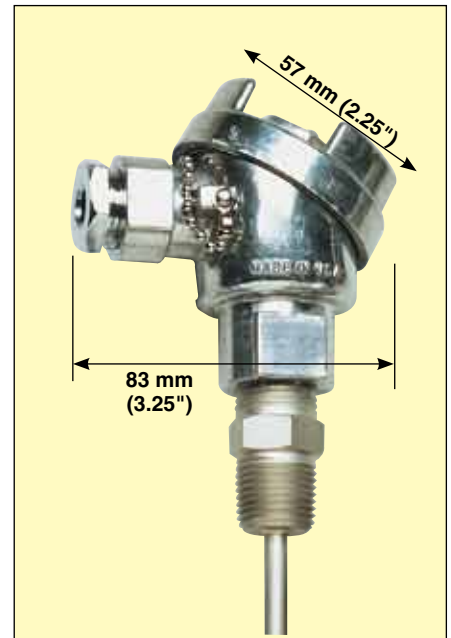
Length

**Available!  
Probes with  
Built-In  
Transmitters!**

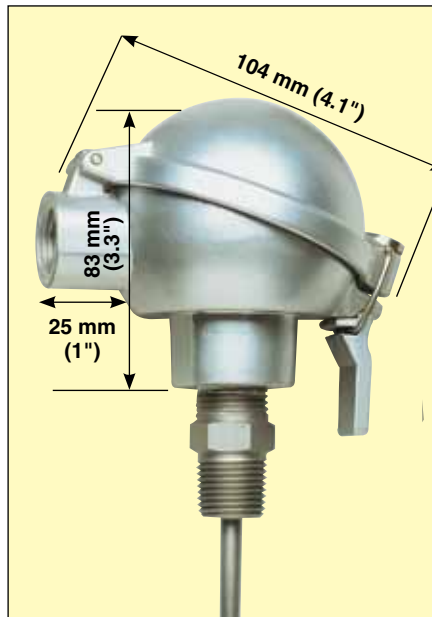
Complete your application with OMEGA's extension wire.



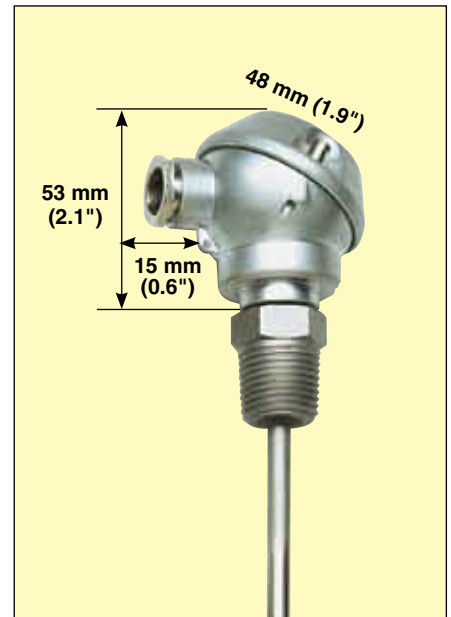
NB1, Cast Iron



NB2, Aluminum



NB3, Aluminum with Snap-Lock



NB4, Sub-Miniature Aluminum



260S Series

For a complete selection of thermowells in both Standard and Metric dimensions, please visit us online.

260HL Series



# New and Improved Protection Heads

## Industrial Thermocouple Probes

Available as  
**MEETS OR EXCEEDS SPECIAL LIMITS OF ERROR (SLE) and EN 60584-2: Temperature Class 1**  
**SUPER OMEGA GLAD XL THERMOCOUPLE PROBES**

A



H

C

**Domed Top**

½ NPT mounting threads.

Probe length includes approx ½" allowance for threads.

**NB8**  
**Material:** Alloy-Aluminum  
**Weight:** 230 g (8 oz)  
**Dimensions:**  
 H=86 mm (3.4")  
 C=70 mm (2.8")

**Ordering Example:**  
**NB8-ICSS-18U-12,**  
 a 300 mm (12") ungrounded ICSS Type J stainless steel thermocouple, 3 mm (¼") sheath diameter probe with an NB8 protection head.

**Available!**  
 Probes with Built-in Transmitters!



**Cast Iron**

**NB5**

**Material:** Cast iron  
**Weight:** 1.6 kg (3.5 lb)  
**Dimensions:**  
 H=95 mm (3.8")  
 C=86 mm (3.4")



**Flip Top**  
**NB7**

**Material:** Alloy-Aluminum  
**Weight:** 250 g (8.8 oz)  
**Dimensions:**  
 H=93 mm (3.7")  
 C=76 mm (3")

**Deep Base**

**NB6**

**Material:** Alloy-Aluminum  
**Weight:** 250 g (8.8 oz)  
**Dimensions:**  
 H=82 mm (3.2")  
 C=82 mm (3.2")

