

## FT 92 ILA-PSL5

Order no.:	591-91005
Sensor principle:	Distance sensors
Features:	Laser distance measurement , 0.2 ... 6m, plug M12-5Pol

### product data

Housing:	cube
Connection type:	Plug M12 5-pin
Light type:	LED, Infrared
Output:	analogue
Range:	200 ... 6000 mm
Series:	F 9x
Protection standard:	IP67
Typical resolution*:	+/- 5 mm

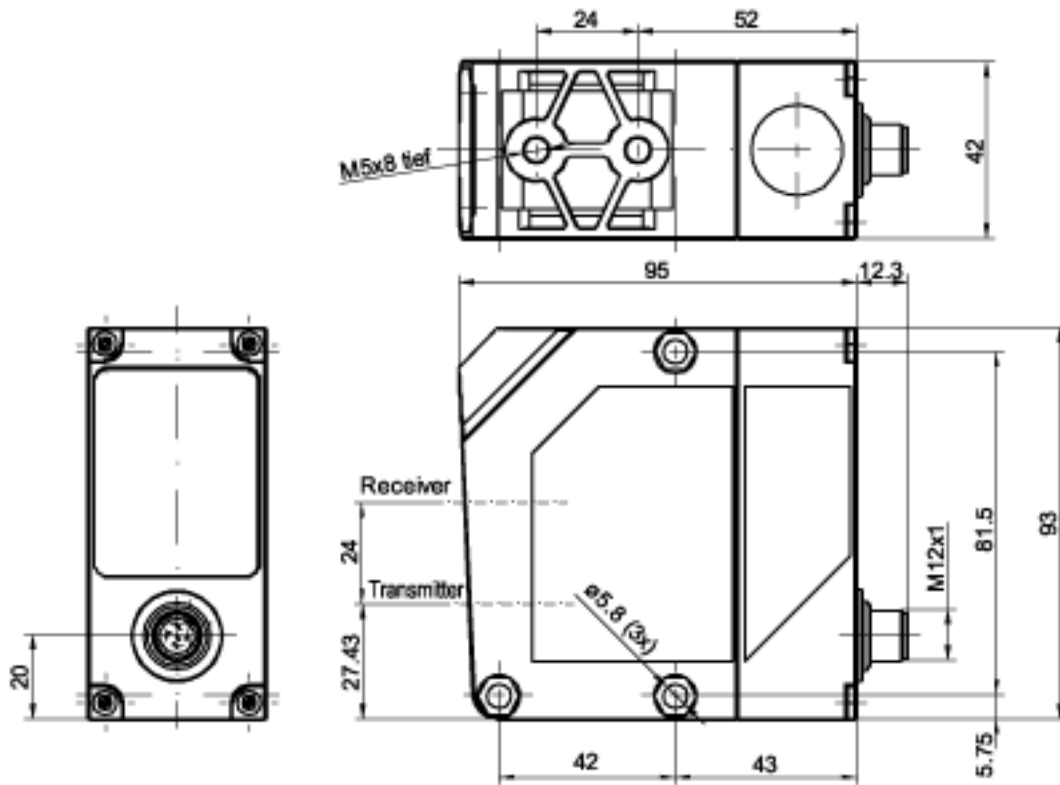
\*The resolution can differ depending on target object or ambient conditions.



Image may vary from product.



dimensional drawing:



connection diagram:

