

Optocoupler module - UMK- 1 OM-R/AMS - 2983002

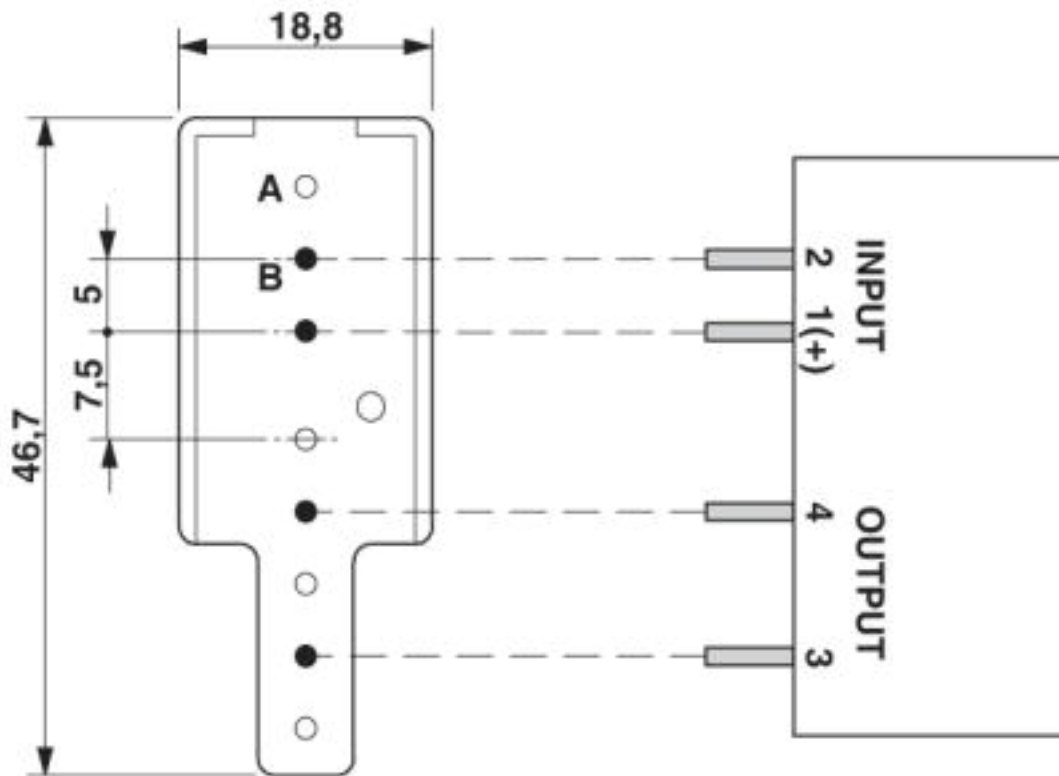
Technical data

Environmental Product Compliance

| | |
|--|---|
| | For details about hazardous substances go to tab "Downloads", Category "Manufacturer's declaration" |
|--|---|

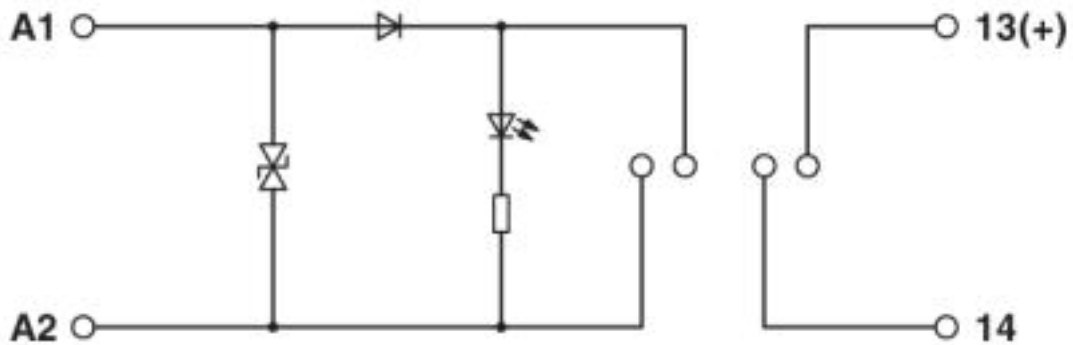
Drawings

Dimensional drawing



A = without metal
B = with metal

Circuit diagram



Optocoupler module - UMK- 1 OM-R/AMS - 2983002

Classifications

eCl@ss

| | |
|------------|----------|
| eCl@ss 4.0 | 27371100 |
| eCl@ss 4.1 | 27371100 |
| eCl@ss 5.0 | 27371600 |
| eCl@ss 5.1 | 27371000 |
| eCl@ss 6.0 | 27371600 |
| eCl@ss 7.0 | 27371603 |
| eCl@ss 8.0 | 27371603 |
| eCl@ss 9.0 | 27371603 |

ETIM

| | |
|----------|----------|
| ETIM 2.0 | EC001456 |
| ETIM 3.0 | EC001456 |
| ETIM 4.0 | EC001456 |
| ETIM 5.0 | EC001456 |
| ETIM 6.0 | EC001456 |
| ETIM 7.0 | EC001456 |

UNSPSC

| | |
|---------------|----------|
| UNSPSC 6.01 | 30211916 |
| UNSPSC 7.0901 | 39121542 |
| UNSPSC 11 | 39121542 |
| UNSPSC 12.01 | 39121542 |
| UNSPSC 13.2 | 39122326 |
| UNSPSC 18.0 | 39122335 |
| UNSPSC 19.0 | 39122335 |
| UNSPSC 20.0 | 39122335 |
| UNSPSC 21.0 | 39122335 |

Approvals

Approvals

Approvals

EAC

Ex Approvals

Approval details