

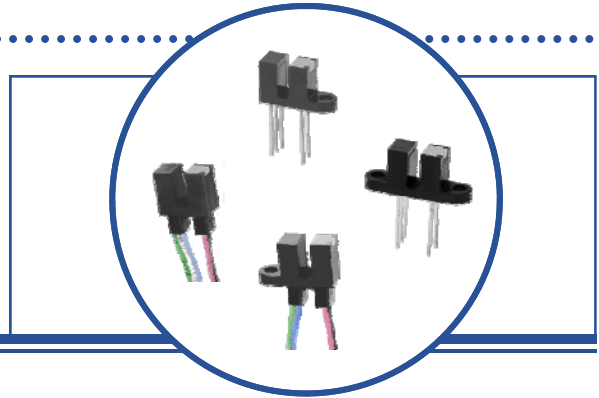
Photologic® Slotted Optical Switch

OPB460, OPB470, OPB480, OPB490 Series



Features:

- Choice of pins or wires mounting configuration
- Choice of aperture
- Choice of output configuration
- Choice of opaque or IR transmissive shell material
- Data rates to 250 kBaud
- Low power consumption



Description:

The **OPB460**, **OPB470**, **OPB480** and **OPB490** series of Photologic® photo integrated circuit switches provide optimum flexibility for the design engineer. Building from a standard housing with a 0.125" (3.180 mm) wide slot, a user can specify the type and polarity of TTL output, discrete shell material, aperture width and choice of mounting configurations. **OPB460** through **OPB473** have 0.425" (10.795 mm) PCBoard leads with 0.320" (8.1 mm) spacing. **OPB480** through **OPB493** have 24" (609 mm) 26 AWG wires (UL approved wires).

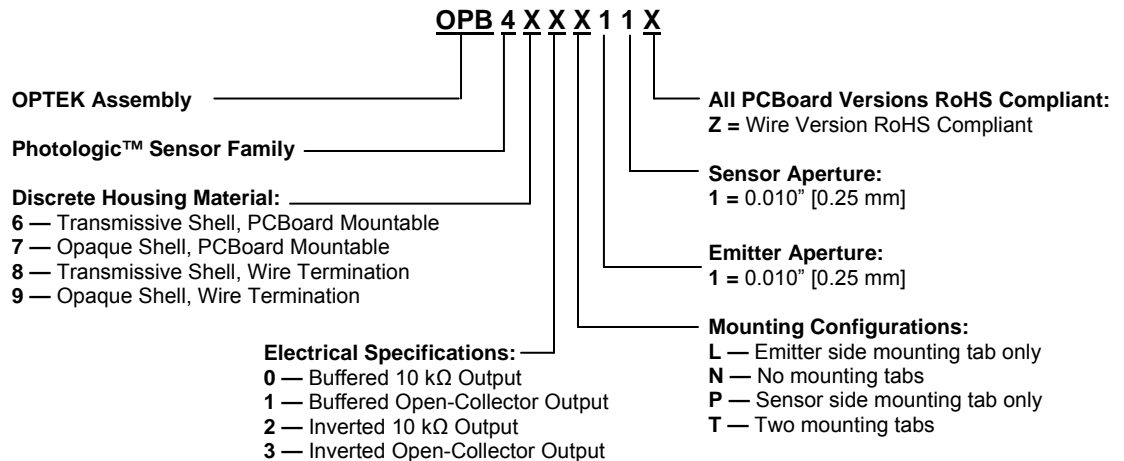
All devices in this series exhibit performance over supply voltages ranging from 4.5 V to 16.0 V, and may be specified as buffered or inverted with 10 kW Pull-up or Open Collector output. Devices are also TTI/LSTTL compatible and can drive up to 10 TTL loads.

Custom electrical, wire and cabling and connectors are available. Contact your local representative or OPTEK for more information.

Applications:

- Mechanical switch replacement
- Speed indication (tachometer)
- Mechanical limit indication
- Edge sensing

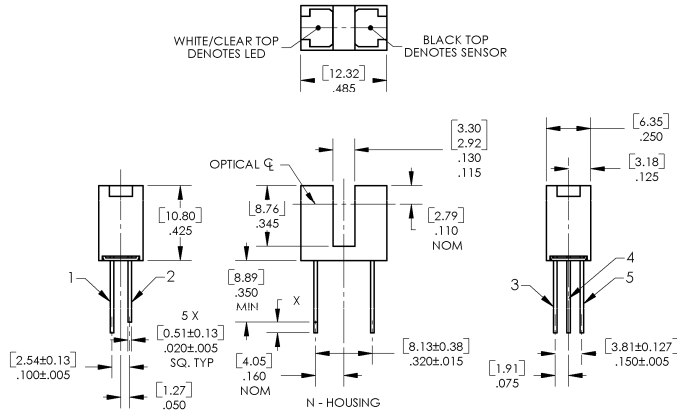
Part Number Guide — OPB460, OPB470, OPB480, OPB490 Series



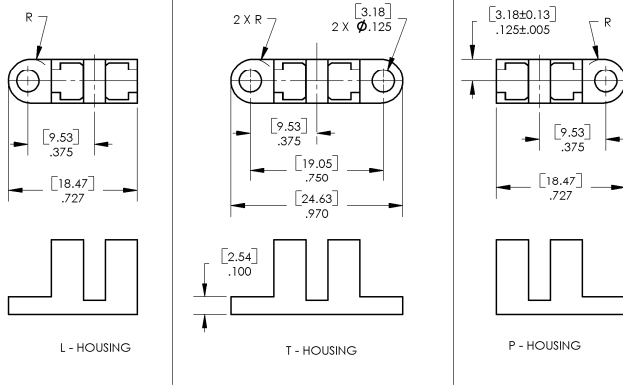
RoHS

OPTEK reserves the right to make changes at any time in order to improve design and to supply the best product possible.

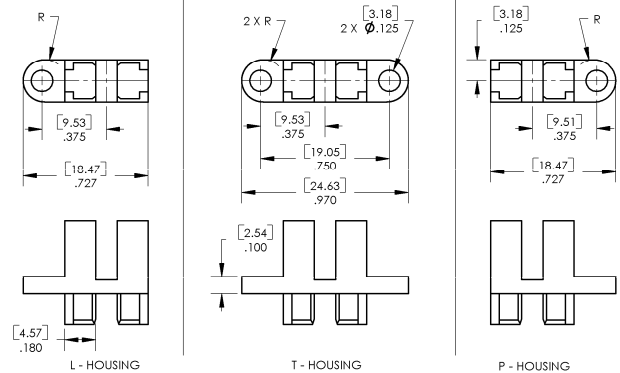
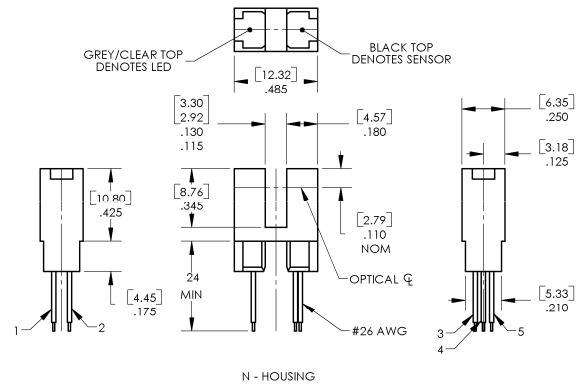
Photologic® Slotted Optical Switch OPB460, OPB470, OPB480, OPB490 Series



Color-Pin	Description
Red-1	Anode
Black-2	Cathode
White-3	Vcc
Blue-4	Output
Green-5	Ground



DIMENSIONS ARE IN: [MILLIMETERS]
INCHES



CONTAINS POLYSULFONE

To avoid stress cracking, we suggest using ND Industries' **Vibra-Tite** for thread-locking. **Vibra-Tite** evaporates fast without causing structural failure in OPTEK's molded plastics.

Applies to: OPB460, OPB470, OPB480, OPB490.

OPTEK reserves the right to make changes at any time in order to improve design and to supply the best product possible.