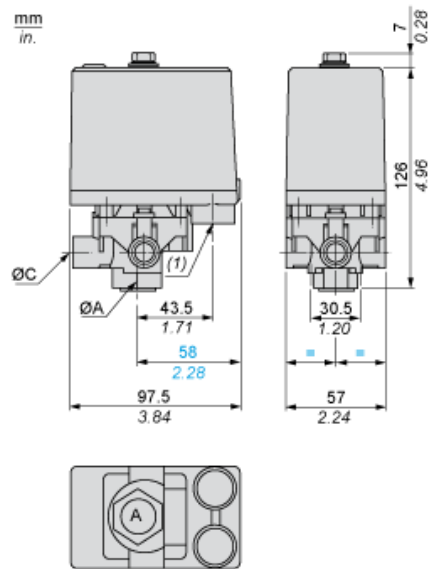
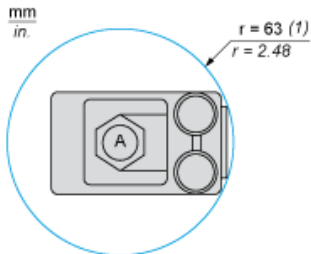


Dimensions



- (A) G 1/4 (female)
- (1) 2 tapped entries PG 13.5

Minimum Mounting Clearance



- (ØA) G 1/4 (female)
- (1) Minimum clearance zone for screwing-on pressure switch at point A