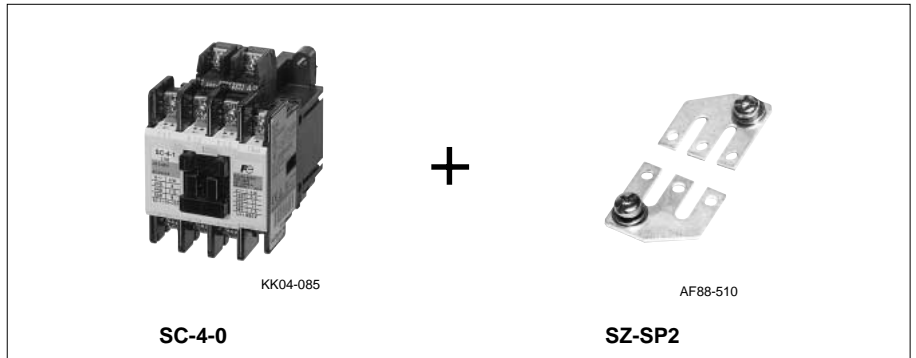


**Resistance load magnetic contactors**

**■ Description**

These single pole contactors are for exclusively resistive load use. They are provided with large and sturdy parallel plate terminals attached to the 3-pole standard contactors to make them suitable for large current ratings. Typical applications are for industrial heating controls, PVA processing, solution vats, electric resistance furnaces, heat treatment facilities, drying kilns, farming, marine farming, lighting and similar purposes.



**■ Ordering information**

Specify the following:

1. Ordering code
2. Operating coil voltage code
3. State clearly "with parallel plate terminals for attaching to contactor".
4. Application and rated load current

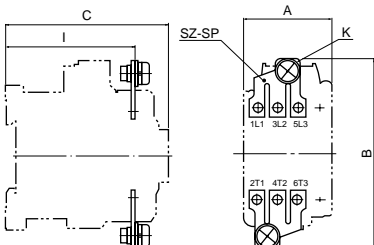
**■ Types and ratings**

Operational current (A) 110V/220V	Auxiliary contact		Making and breaking current	Operating cycles per hour	Life expectancy (operations)		Contactor Type		3-pole parallel terminal plate	
	NO	NC			Electrical	Mechanical	Type	Ordering code	Type	Ordering code
25	1	–	1.5 × Ie	150	500,000	10 millions	SC-03	SC11AA-■10	SZ-SP1	SZ1SP1
30	1	–	1.5 × Ie	150	500,000	10 millions	SC-0	SC13AA-■10	SZ-SP1	SZ1SP1
30	1	1	1.5 × Ie	150	500,000	10 millions	SC-05	SC14AA-■11	SZ-SP1	SZ1SP1
40	1	–	1.5 × Ie	150	500,000	10 millions	SC-4-0	SC18AA-■10	SZ-SP2	SZ1SP2
50	1	–	1.5 × Ie	150	500,000	10 millions	SC-4-1	SC19AA-■10	SZ-SP2	SZ1SP2
50	1	1	1.5 × Ie	150	500,000	10 millions	SC-5-1	SC20AA-■11	SZ-SP2	SZ1SP2
50	2	2	1.5 × Ie	150	500,000	10 millions	SC-5-1	SC20AA-■22	SZ-SP2	SZ1SP2
100	2	2	1.5 × Ie	150	500,000	5 millions	SC-N1	SC25BAA-■22	SZ-SP3	SZ2SP3
125	2	2	1.5 × Ie	150	500,000	5 millions	SC-N2	SC35BAA-■22	SZ-SP3	SZ2SP3
200	2	2	1.5 × Ie	150	250,000	5 millions	SC-N2S	SC50BAA-■22	SZ-SP4	SZ2SP4
250	2	2	1.5 × Ie	150	250,000	5 millions	SC-N3	SC65BAA-■22	SZ-SP4	SZ2SP4
315	2	2	1.5 × Ie	150	250,000	5 millions	SC-N4	SC80BAA-■22	SZ-SP5	SZ2SP5
400	2	2	1.5 × Ie	150	250,000	5 millions	SC-N5A	SC93CAA-■22	SZ-SP5	SZ2SP5
400	2	2	1.5 × Ie	150	250,000	5 millions	SC-N6	SC1CBAA-■22	SZ-SP6	SZ2SP6
500	2	2	1.5 × Ie	150	250,000	5 millions	SC-N7	SC1FBAA-■22	SZ-SP7	SZ2SP7
630	2	2	1.5 × Ie	150	250,000	5 millions	SC-N8	SC1JBAA-■22	SZ-SP8	SZ2SP8
710	2	2	1.5 × Ie	150	250,000	5 millions	SC-N10	SC2ABAA-■22	SZ-SP8	SZ2SP8
900	2	2	1.5 × Ie	150	250,000	5 millions	SC-N11	SC3ABAA-■22	SZ-SP9	SZ2SP9
1000	2	2	1.5 × Ie	150	250,000	5 millions	SC-N12	SC4ABAA-■22	SZ-SP9	SZ2SP9
1600	2	2	1.5 × Ie	150	250,000	5 millions	SC-N14	SC6ABAA-■22	SZ-SP10	SZ2SP10
2100	2	2	1.5 × Ie	150	100,000	2,500,000	SC-N16	SC8ABAA-■22	SZ-SP11	SZ2SP11

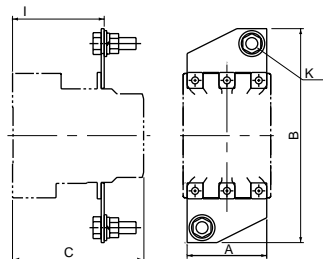
Notes: 1. ■: Coil voltage code, see page 01/27  
 2. Ie: Rated operational current. Conforming to Class AC-1, IEC60947-4-1.

**■ Dimensions, mm**

**SC-03 + SZ-SP1 to SC-5-1 + SZ-SP2**



**SC-N1+SZ-SP3 to SC-N16+SZ-SP11**



Type	A	B	C	I	K	Mass (g) *
SC-03+SZ-SP1	43	90	80	63	M6	25
SC-0+SZ-SP1	43	90	80	63	M6	25
SC-05+SZ-SP1	53	90	80	63	M6	25
SC-4-0+SZ-SP2	53	100	81	63	M6	35
SC-4-1+SZ-SP2	53	100	81	63	M6	35
SC-5-1+SZ-SP2	64	100	81	63	M6	35
	64	100	109	63	M6	35
SC-N1, N2+SZ-SP3	74	132	96	64	M8	110
SC-N2S, N3+SZ-SP4	88	174	111	75.5	M10	200
SC-N4+SZ-SP4	88	215	117	77	M12	320

Type	A	B	C	I	K	Mass (g) *
SC-N5A+SZ-SP4	88	215	132	92	M12	320
SC-N6+SZ-SP6	100	300	138	98	M12×2	760
SC-N7+SZ-SP7	115	312	140	98	M12×2	800
SC-N8, N10+SZ-SP8	138	371	174	120	M12×2	1300
SC-N11, N12+SZ-SP9	153	420	195	135	M12×4	3000
SC-N14+SZ-SP10	290	525	328	246	M12×4	4400
SC-N16+SZ-SP11	290	525	328	246	M12×4	5900

\*Mass: 3-pole parallel terminal plate only