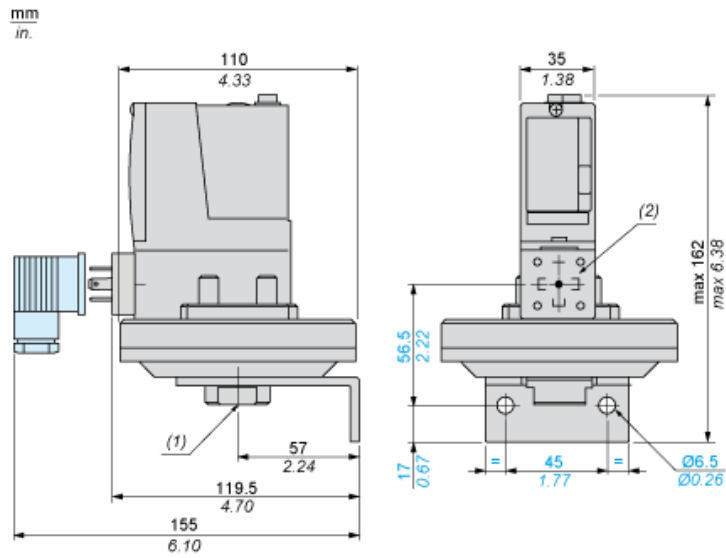


Dimensions



- (1) 1 fluid entry, tapped G1/4 (BSP female)
- (2) EN 175301-803-A connector

---

Wiring Diagram

---

Terminal Model

