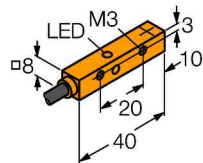


NI4U-Q8SE-AP6X

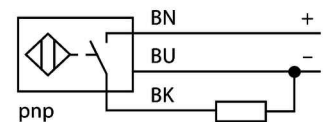
Inductive sensor



Features

- Rectangular, height 8 mm
- Active face on top
- Factor 1 for all metals
- Increased switching distance
- Protection class IP68
- Resistant to magnetic fields
- Auto-compensation protects against pre-attenuation
- Flush mounted installation on up to 4 sides
- DC 3-wire, 10...30 VDC
- NO contact, PNP output
- Cable connection

Wiring diagram



Inductive sensors detect metal objects contactless and wear-free. Due to the patented multi-coil system, *uprox*[®]+ sensors have distinct advantages over conventional sensors. They excel in largest switching distances, maximum flexibility and operational reliability as well as efficient standardization.

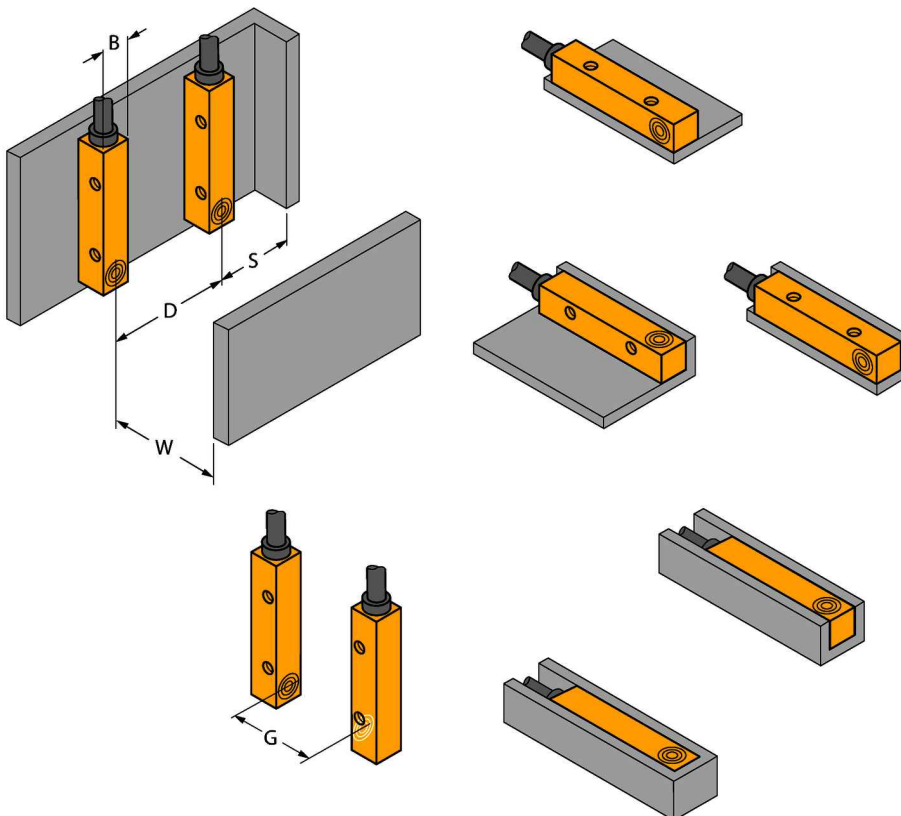
Technical data

Type	NI4U-Q8SE-AP6X
ID number	4635807
Rated switching distance	4 mm
Mounting conditions	Non-flush, flush mountable
Secured operating distance	≤ (0,81 x S _n) mm
Repeat accuracy	≤ 2 % of full scale
Temperature drift	≤ ± 10 % ≤ ± 15 %, ≤ -25 °C v ≥ +70 °C
Hysteresis	3...15 %
Ambient temperature	-30...+85 °C
Operating voltage	10...30 VDC
Residual ripple	≤ 10 % U _{ss}
DC rated operational current	≤ 150 mA
No-load current	≤ 15 mA
Residual current	≤ 0.1 mA
Isolation test voltage	≤ 0.5 kV
Short-circuit protection	yes / Cyclic
Voltage drop at	≤ 1.8 V
Wire breakage/Reverse polarity protection	yes / Complete
Output function	3-wire, NO contact, PNP
Protection class	☐
Switching frequency	1 kHz
Design	Rectangular, Q8SE
Dimensions	40 x 8 x 8 mm
Housing material	Plastic, PP, Yellow
Active area material	PP, yellow
Tightening torque	≤ 0.6 Nm

Technical data

Electrical connection	Cable
Cable quality	Ø 3 mm, Gray, Lif9Y-11Y, PUR, 2 m
	Suited for E-ChainSystems® acc. to manufacturers declaration H1063M
Cable cross section	3 x 0.14 mm ²
Vibration resistance	55 Hz (1 mm)
Shock resistance	30 g (11 ms)
Protection class	IP68
MTTF	874 years acc. to SN 29500 (Ed. 99) 40 °C
Switching state	LED yellow

Mounting instructions/Description



Distance D	24 mm
------------	-------

Distance W	12 mm
------------	-------

Distance S	12 mm
------------	-------

Distance G	24 mm
------------	-------

Width active area B	8 mm
---------------------	------

Flush mounting on 4 sides

1-side mounting:

Sr = 3,5 mm

2-side mounting:

Sr = 3,0 mm

3-side mounting:

Sr = 2,5 mm

4-side mounting:

Sr = 2,0 mm