

# Universal current transducer - MCR-SL-CUC-500-I - 2308085

## Technical data

### General

|                                 |                        |
|---------------------------------|------------------------|
| Test voltage input/power supply | 3.5 kV (50 Hz, 1 min.) |
| Noise emission                  | EN 61000-6-4           |
| Noise immunity                  | EN 61000-6-2           |
| Color                           | green                  |
| Housing material                | Frianyl B63 V0 GV30    |
| Conformance                     | CE-compliant           |

### Standards and Regulations

|                |              |
|----------------|--------------|
| Noise emission | EN 61000-6-4 |
| Noise immunity | EN 61000-6-2 |
| Conformance    | CE-compliant |

### Conformance/approvals

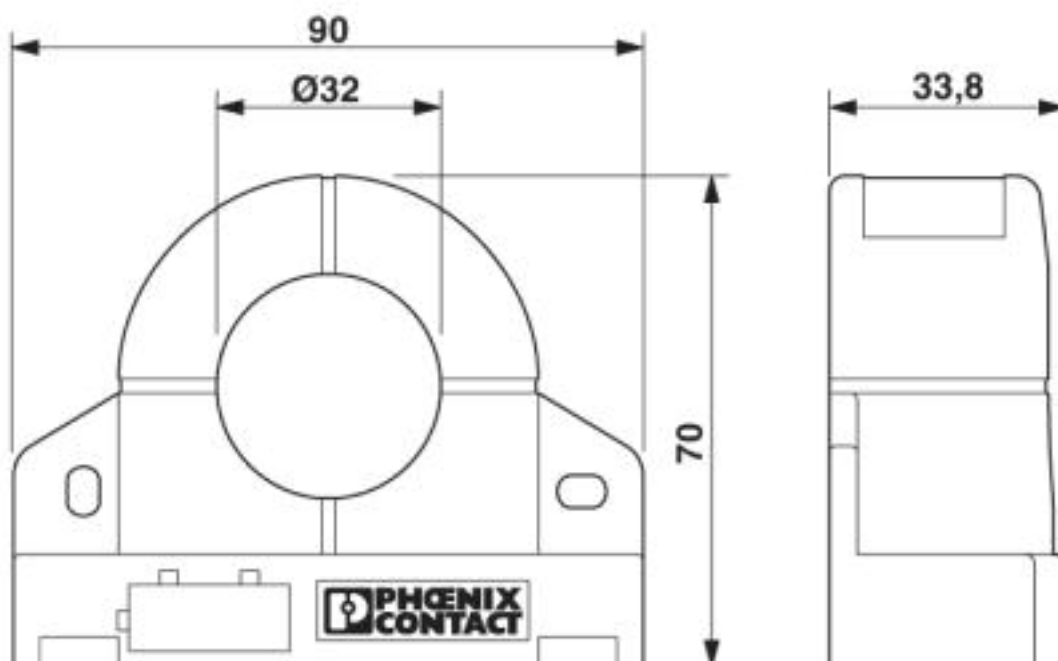
|                |              |
|----------------|--------------|
| Designation    | CE           |
| Identification | CE-compliant |

### Environmental Product Compliance

|            |   |
|------------|---|
| China RoHS | Environmentally Friendly Use Period = 25;   |
|            | For details about hazardous substances go to tab "Downloads", Category "Manufacturer's declaration" |

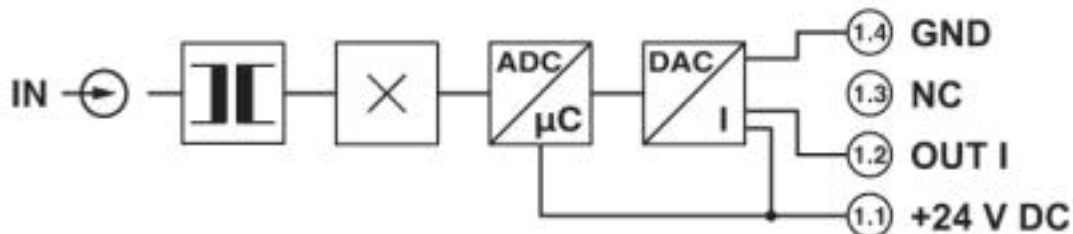
## Drawings

Dimensional drawing

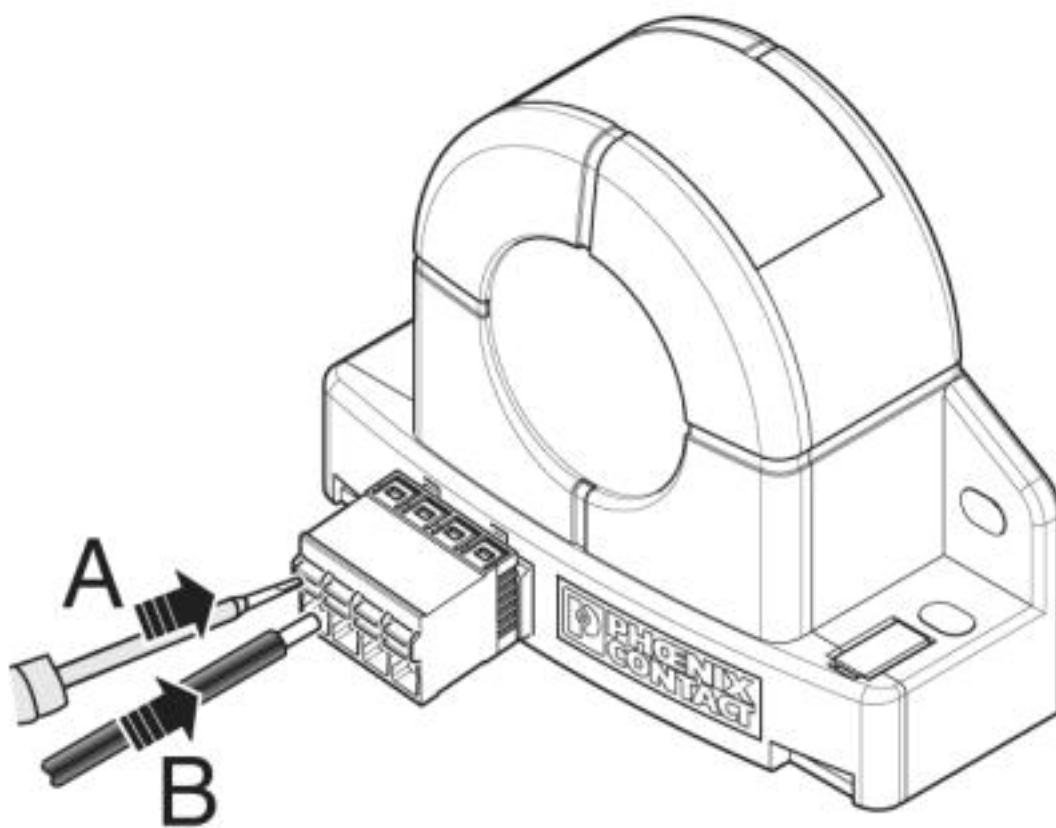


# Universal current transducer - MCR-SL-CUC-500-I - 2308085

Circuit diagram



Schematic diagram



## Classifications

eCl@ss

|            |          |
|------------|----------|
| eCl@ss 4.0 | 27210900 |
| eCl@ss 4.1 | 27210900 |
| eCl@ss 5.0 | 27210900 |
| eCl@ss 5.1 | 27210900 |
| eCl@ss 6.0 | 27210900 |
| eCl@ss 7.0 | 27210902 |
| eCl@ss 8.0 | 27210902 |
| eCl@ss 9.0 | 27210902 |