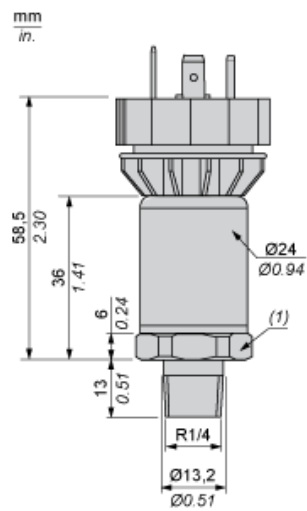


## Dimensions



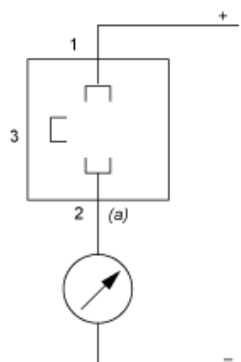
(1) SW24 tightening torque  $\leq 25$  N.m / 221 lb-in

---

## Wiring Diagram

---

### 2-Wire Technique (4-20 mA)



(a) I<sub>out</sub>