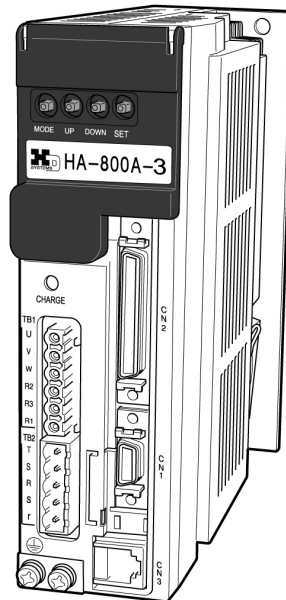


# Harmonic Drive<sup>®</sup>

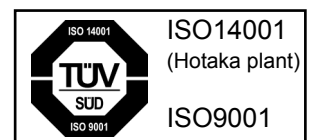
100V/200V power supply  
AC Servo Driver

## **HA-800A series manual**

(for SHA, FHA-Cmini, FHA-C, RSF/RKF series)



This operation manual covers the following software versions:  
● Ver 2.x





# Introduction

Thank you very much for your purchasing our HA-800A series servo driver.

Wrong handling or use of this product may result in unexpected accidents or shorter life of the product. Read this document carefully and use the product correctly so that the product can be used safely for many years.

Product specifications are subject to change without notice for improvement purposes.

Keep this manual in a convenient location and refer to it whenever necessary in operating or maintaining the units.



The end user of the driver should have a copy of this manual.

# SAFETY GUIDE

To use this driver safely and correctly, be sure to read SAFETY GUIDE and other parts of this document carefully and fully understand the information provided herein before using the driver.

## NOTATION

Important safety information you must note is provided herein. Be sure to observe these instructions.


 <b>WARNING</b>	Indicates a potentially hazardous situation, which, if not avoided, could result in death or serious personal injury.
 <b>CAUTION</b>	Indicates a potentially hazardous situation, which, if not avoided, may result in minor or moderate personal injury and/or damage to the equipment.
<b>Caution</b>	Indicates what should be performed or avoided to prevent non-operation or malfunction of the product or negative effects on its performance or function.

## LIMITATION OF APPLICATIONS

The equipment listed in this document may not be used for the applications listed below:

- Space equipment
- Aircraft, aeronautic equipment
- Nuclear equipment
- Household apparatus
- Vacuum equipment
- Automobile, automotive parts
- Amusement equipment, sport equipment, game machines
- Machine or devices acting directly on the human body
- Instruments or devices to transport or carry people
- Apparatus or devices used in special environments

If the above list includes your intending application for our products, please consult us.

 <b>CAUTION</b>	<b>Safety measures are essential to prevent accidents resulting in death, injury or damage of the equipment due to malfunction or faulty operation.</b>
---	---

## SAFETY NOTE

### ● CAUTIONS FOR ACTUATORS AT APPLICATION DESIGNING



#### **Always use under followings conditions:**

The actuator is designed to be used indoors. Observe the following conditions:

- Ambient temperature: 0°C to 40°C
- Ambient humidity: 20% to 80%RH (Non-condensation)
- Vibration: Max 24.5 m/S<sup>2</sup>
- No contamination by water, oil
- No corrosive or explosive gas

**Follow exactly the instructions in the relating manuals to install the actuator in the equipment.**

- Ensure exact alignment of motor shaft center and corresponding center in the application.
- Failure to observe this caution may lead to vibration, resulting in damage of output elements.

### ● CAUTION FOR ACTUATORS IN OPERATIONS



#### **Never connect cables directly to a power supply socket.**

- Each actuator must be operated with a proper driver.
- Failure to observe this caution may lead to injury, fire or damage of the actuator.

#### **Do not apply impacts and shocks.**

- Do not use a hammer during installation.
- Failure to observe this caution could damage the encoder and may cause uncontrollable operation.

#### **Avoid handling of actuators by cables.**


- Failure to observe this caution may damage the wiring, causing uncontrollable or faulty operation.




#### **Keep limited torques of the actuator.**

- Keep limited torques of the actuator.
- Be aware, that if arms attached to output element hits by accident an solid, the output element may be uncontrollable.

**● CAUTIONS FOR DRIVERS AT APPLICATION DESIGNING**

 CAUTION	<p><b>Always use drivers under followings conditions:</b></p> <ul style="list-style-type: none"><li>▪ Mount in a vertical position keeping sufficient distance to other devices to let heat generated by the driver radiate freely.</li><li>▪ 0°C to 50°C, 95% RH or below (Non condensation)</li><li>▪ No vibration or physical shock</li><li>▪ No corrosive, inflammable or explosive gas</li></ul> <p><b>Use sufficient noise suppressing means and safe grounding.</b></p> <ul style="list-style-type: none"><li>▪ Keep signal and power leads separated.</li><li>▪ Keep leads as short as possible.</li><li>▪ Ground actuator and driver at one single point, minimum ground resistance class: D (less than 100 ohms)</li><li>▪ Do not use a power line filter in the motor circuit.</li></ul> <p><b>Pay attention to negative torque by inverse load.</b></p> <ul style="list-style-type: none"><li>▪ Inverse load may cause damages of drivers.</li><li>▪ Please consult our sales office, if you intent to apply products for inverse load.</li></ul> <p><b>Use a fast-response type ground-fault detector designed for PWM inverters.</b></p> <ul style="list-style-type: none"><li>▪ Do not use a time-delay-type ground-fault detector.</li></ul> <p><b>Safety measures are essential to prevent accidents resulting in death, injury or damage of the equipment due to malfunction or faulty operation.</b></p>
--	---

**● CAUTION FOR DRIVERS IN OPERATIONS**

 WARNING	<p><b>Never change wiring while power is active.</b> Make sure of power non-active before servicing the products. Failure to observe this caution may result in electric shock or personal injury.</p> <p><b>Do not touch terminals or inspect products at least 15 minutes after turning OFF power.</b></p> <ul style="list-style-type: none"><li>▪ Otherwise residual electric charges may result in electric shock. In order to prevent electric shock, perform inspections 15 minutes after the power supply is turned OFF and confirming the CHARGE lamp is turned OFF.</li><li>▪ Make installation of products not easy to touch their inner electric components.</li></ul>
--	---



**Do not make a voltage resistance test.**

- Failure to observe this caution may result in damage of the control unit.
- Please consult our sales office, if you intent to make a voltage resistance test.

**Do not operate control units by means of power ON/OFF switching.**

- Start/stop operation should be performed via input signals.
- Failure to observe this caution may result in deterioration of electronic parts.

**DISPOSAL OF AN ACTUATOR, A MOTOR, A CONTROL UNIT AND/OR THEIR PARTS**



**All products or parts have to be disposed of as industrial waste.**

Since the case or the box of drivers have a material indication, classify parts and dispose them separately.

# Structure of this document

<b>Chapter 1</b>	<b>Functions and configuration</b>	Overviews of driver models, specifications, external dimensions, etc., are explained.
<b>Chapter 2</b>	<b>Installation/wiring</b>	Receiving inspection, environment, power wiring, noise suppression and connector wiring are explained.
<b>Chapter 3</b>	<b>Startup</b>	Startup procedures to be followed when the driver is used for the first time, from receiving inspection to operation of the actual system, are explained.
<b>Chapter 4</b>	<b>Encoder system</b>	The encoder configuration is different depending on the actuator model. Details of each actuator are explained.
<b>Chapter 5</b>	<b>I/O signals</b>	Details of I/O signal conditions and signal functions are explained.
<b>Chapter 6</b>	<b>Panel display and operation</b>	How to operate the display, operation buttons on the driver's front panel and overview of operation in each mode is explained.
<b>Chapter 7</b>	<b>Status display mode/ Alarm mode/ Tune mode</b>	Explanation of information displayed in the status display mode and alarm mode. Operations and details of servo loop gains, various judgment criteria and acceleration/deceleration time setting during speed control performed in the tune mode are explained.
<b>Chapter 8</b>	<b>System parameter mode</b>	Details of how to assign I/O signals and set their logics, as well as extended functions such as control mode selection, pulse input system selection and electronic gear setting, etc., are explained.
<b>Chapter 9</b>	<b>Test mode</b>	Details of how to check the system operation by auto-tuning via jogging, monitoring of I/O signals and simulated operation of output signals are explained.
<b>Chapter 10</b>	<b>Communication software (PSF-800)</b>	How you can use the dedicated personal computer software to check I/O signal statuses, rotation speeds and other servo statuses, perform auto-tuning, set parameters, assign I/O signals and monitor servo operation waveforms are explained.
<b>Chapter 11</b>	<b>Troubleshooting</b>	Details of how driver alarms and warnings generate are explained.
<b>Chapter 12</b>	<b>Option</b>	Options you can purchase as necessary are explained.
<b>Appendix</b>		The list of default parameters and regenerative resistors are explained.

# Table of contents

SAFETY GUIDE .....	1
NOTATION .....	1
LIMITATION OF APPLICATIONS .....	1
SAFETY NOTE .....	2
Structure of this document.....	5
Table of contents .....	6
Related manual .....	12
Related actuator/driver standards .....	13
Compatible standards .....	14
Conformance to European EC Directives .....	15

## Chapter 1 Functions and configuration

---

1-1	Overview of drivers .....	1-1
	Overview of functions.....	1-1
1-2	Function block diagram.....	1-2
1-3	Device configuration diagram .....	1-3
1-4	Driver model .....	1-5
	Driver model.....	1-5
	Option.....	1-5
1-5	Actuator and extension cable combinations.....	1-6
1-6	Driver ratings and specifications .....	1-7
1-7	Function list.....	1-11
1-8	External drawing .....	1-12
1-9	Name and function of each part of a display panel .....	1-14

## Chapter 2 Installation/wiring

---

2-1	Receiving inspection .....	2-1
	Check procedure.....	2-1
2-2	Installation location and installation.....	2-2
	Installation environment .....	2-2
	Notices on installation .....	2-2
	Installation procedure.....	2-3
2-3	Connecting power cables.....	2-5
	Allowable cable sizes.....	2-5
	Connecting power cables.....	2-6
	Protecting power lines.....	2-8
	Connecting a ground wire .....	2-8



	Power ON and OFF sequences .....	2-9
2-4	Suppressing noise .....	2-14
	Grounding .....	2-14
	Installing noise filters .....	2-15
2-5	Wiring the driver and motor .....	2-17
	Connecting the motor .....	2-17
	Connecting the encoder .....	2-18
2-6	Wiring the host device .....	2-19
	Connecting the host device .....	2-19
	Connecting the personal computer .....	2-20

## Chapter 3 Startup

---

3-1	Startup procedures .....	3-1
	Startup procedures .....	3-2
3-2	Turning ON the power for the first time .....	3-3
	Details on control power supply ON .....	3-4
	Troubleshooting upon power ON .....	3-8
3-3	Operation check with the actuator alone .....	3-9
	Troubleshooting at operation check .....	3-10
3-4	Operation check with the actual system .....	3-13
	Troubleshooting at actual operation check .....	3-14
3-5	Manual gain adjustment method .....	3-15
	Position control .....	3-15
	Speed control .....	3-16
	Applied servo gain adjustment function .....	3-17
3-6	Normal operation .....	3-20
	Notices for normal operations .....	3-20
	Daily maintenance/inspection .....	3-20
	Periodically replaced parts .....	3-21
	Backup battery .....	3-21
	How to replace the backup battery .....	3-22

## Chapter 4 Encoder system

---

4-1	Overview of encoders .....	4-1
4-2	17-bit absolute encoder .....	4-4
	Features .....	4-4
	Startup .....	4-5
	Data output .....	4-7
	Origin setting .....	4-10
	Remedial actions for errors/warnings .....	4-11
4-3	13-bit absolute encoder .....	4-13
	Features .....	4-13
	Startup .....	4-15
	Data output .....	4-16
	Origin setting .....	4-20
	Remedial actions for errors/warnings .....	4-21

4-4	Incremental encoder .....	4-23
	Startup .....	4-25
	Data output .....	4-26
	Remedial action for error .....	4-27

## Chapter 5 I/O signals

---

5-1	I/O signal list .....	5-1
	Pin numbers and names of I/O signals .....	5-1
	Models of I/O signal connector CN2 .....	5-2
5-2	Input signals: System parameter SP00 to SP16 .....	5-3
	Input signal connection circuit .....	5-4
	Input signal list .....	5-6
	List of parameter set values .....	5-7
5-3	Details of input signals .....	5-8
5-4	Inputs in each control mode .....	5-15
	Position command mode .....	5-15
	Speed command mode .....	5-19
	Torque command mode .....	5-20
5-5	Output signals: System parameter SP20 to SP26 .....	5-22
	Output signal connection circuit .....	5-23
	Output signal list .....	5-24
5-6	Details of output signals .....	5-25
5-7	Monitor output .....	5-27
	Encoder output .....	5-27
	Current value output .....	5-27
	Analog waveform monitoring .....	5-28
	Digital signal monitor .....	5-29
5-8	Connection example in control mode .....	5-30
	Connection example with default settings .....	5-30
	Connection example in position control mode .....	5-31
	Connection example in speed control mode .....	5-32
	Connection example in torque control mode .....	5-33

## Chapter 6 Panel display and operation

---

6-1	Operating display panel .....	6-1
	Overview of modes .....	6-1
	Initial panel display .....	6-2
	Panel display hierarchy .....	6-3
	Operation outline of status display mode .....	6-4
	Operation outline of alarm mode .....	6-5
	Operation outline of tune mode .....	6-6
	Operation outline of system parameter mode .....	6-8
	Operation outline of test mode .....	6-12

## Chapter 7 Status display mode/alarm mode/tune mode

---

7-1	Status display mode .....	7-1
-----	---------------------------	-----

	Status display mode list.....	7-1
7-2	Details of status display mode .....	7-3
	d01, 02: Error pulse count display.....	7-3
	d04: Overload rate display .....	7-4
	d05, 06: Feedback pulse display.....	7-5
	d07, 08: Command pulse display.....	7-5
	d11: Speed command voltage .....	7-6
	d12: Torque command voltage .....	7-6
	d13: Applicable actuator code .....	7-7
	d16: Regenerative power (HA-800-24 only).....	7-7
7-3	Alarm mode .....	7-8
	Alarm display.....	7-8
7-4	Alarm list.....	7-9
	AL: Present alarm/warning display.....	7-9
	AHcLr: Alarm history clear.....	7-10
7-5	Tune mode.....	7-11
7-6	Details of tune mode .....	7-12
	AJ00: Position loop gain.....	7-12
	AJ01: Speed loop gain .....	7-12
	AJ02: Speed loop integral compensation.....	7-13
	AJ03: Feed-forward gain.....	7-13
	AJ04: In-position range .....	7-13
	AJ05: Attained speed judgment value .....	7-14
	AJ06: Attained torque judgment value .....	7-14
	AJ07: Zero speed judgment value .....	7-14
	AJ08 to 10: Internal speed command 1 to 3 .....	7-15
	AJ11: Torque limit.....	7-15
	AJ12: Acceleration time constant .....	7-16
	AJ13: Deceleration time constant .....	7-16
	AJ14: External speed command offset .....	7-17
	AJ15: External torque command offset .....	7-17
	AJ16: Speed monitor offset.....	7-17
	AJ17: Current monitor offset .....	7-17
	AJ20: Feed-forward filter.....	7-18
	AJ21: Load inertia moment ratio .....	7-18
	AJ22: Torque constant compensation factor .....	7-18
	AJ23: Spring constant compensation factor.....	7-19

## Chapter 8 System parameter mode

8-1	System parameter mode.....	8-1
8-2	Function extension parameter .....	8-3
	SP40: CN9-CP3 output signal setting.....	8-4
	SP41: Control mode switching setting .....	8-4
	SP42: Command pulse input pattern setting.....	8-5
	SP43: Multiplication of 2-phase input setting .....	8-5
	SP44 to 47: Electronic gear setting.....	8-6
	SP48: Deviation clear upon servo-ON setting.....	8-7
	SP49: Allowable position deviation .....	8-7
	SP50: Command polarity .....	8-7

SP51: Speed input factor setting .....	8-8
SP52: Zero clamp .....	8-8
SP53: Torque input factor setting .....	8-8
SP54: Status display setting.....	8-8
SP55: DB enable/disable setting.....	8-9
SP56: External speed limit enable/disable.....	8-9
SP57: External torque limit enable/disable .....	8-9
SP59: Angle compensation enable/disable setting .....	8-9
SP60: Automatic positioning gain setting enable/disable setting .....	8-10
SP61: Encoder monitor output pulses.....	8-10
SP64: Regenerative resistor selection (HA-800-24 only).....	8-10
SP65: FWD/REV inhibit operation .....	8-11

## Chapter 9 Test mode

9-1	Test mode .....	9-1
9-2	Details of test mode .....	9-2
	T00: I/O signal monitor.....	9-2
	T01: Output signal operation.....	9-3
	T02: JOG speed setting .....	9-4
	T03: JOG acceleration/deceleration time constant setting.....	9-5
	T04: JOG operation.....	9-6
	T05: Parameter initialization.....	9-7
	T06: Automatic adjustment of speed command offset .....	9-8
	T07: Automatic adjustment of torque command offset.....	9-9
	T08: Multi revolution clear .....	9-10
	T09: Auto-tuning.....	9-11
	T10: Auto-tuning displacement.....	9-12
	T11: Auto-tuning level selection .....	9-13

## Chapter 10 Communication software

10-1	Overview .....	10-1
	Setup.....	10-1
	Initial screen .....	10-4
	Status display .....	10-7
10-2	Auto-tuning .....	10-8
10-3	Parameter setting .....	10-10
	10-3-1. Editing and initializing internal parameters of the driver .....	10-10
10-4	Assigning I/O signals .....	10-12
10-5	Saving and reading set values.....	10-15
	10-5-1. Saving set parameter values .....	10-15
	10-5-2. Reading saved set value files.....	10-16
	10-5-3. Comparing a saved settings file with internal set values of the driver ..	10-17
	10-5-4. Writing a saved settings file to the driver .....	10-19
10-6	Test operation .....	10-21
10-7	Output signal operation.....	10-22
10-8	IO monitor .....	10-23
10-9	Waveform monitoring.....	10-24

---

10-10 Alarms .....	10-26
--------------------	-------

## **Chapter 11 Troubleshooting**

---

11-1 Alarms and remedial actions.....	11-1
Alarm list .....	11-1
Remedial action for alarm .....	11-2
11-2 Warnings and remedial actions.....	11-14
Warning list .....	11-14
Remedial action for warning.....	11-15

## **Chapter 12 Option**

---

12-1 Option .....	12-1
Extension cables.....	12-1
Dedicated communication cable .....	12-2
Connectors.....	12-2
Servo parameter setting software .....	12-3
Backup battery .....	12-4
Monitor cable.....	12-4

## **Appendix**

---

A-1 Default settings .....	A-1
A-2 Regenerative resistor.....	A-6
Built-in driver regenerative resistor and regenerative power.....	A-6
External regenerative resistor .....	A-10
Allowable load inertia .....	A-13
A-3 List of data retained in the driver.....	A-17
A-4 Driver replacement procedures.....	A-20

## Related manual

The table below lists related manual. Check each item as necessary.

Title	Description
AC Servo Actuator SHA series manual	The specifications and characteristics of SHA-17C to SHA-40C actuators are explained.
AC Servo Actuator FHA-C series manual	The specifications and characteristics of FHA-17C to FHA-40C actuators are explained.
AC Servo Actuator FHA-Cmini series manual	The specifications and characteristics of FHA-8Cmini to FHA-14Cmini actuators are explained.
AC Servo Actuator RSF/RKF series manual	The specifications and characteristics of RSF-17 to RSF-32 and RKF-20 to RKF-32 actuators are explained.

# Related actuator/driver standards

				Function	HA-800*1	HA-800*3	HA-800*6	HA-800*24
				Rated current (A)	1.5	3	6	24
				Maximum current (A)	4.0	9.5	19	55
				General-purpose I/O	HA-800A			
				MECHATROLINK	HA-800B			
				CC-Link	HA-800C			
Overseas standard				UL/cUL	○			
				CE	○			
				TUV	○			
Applicable actuator	Voltage	UL/cUL	CE	Encoder type				
FHA-8C-xx-E200	200		○	Wire-saving incremental	-1C-200			
FHA-11C-xx-E200	200		○		-1C-200			
FHA-14C-xx-E200	200		○		-1C-200			
FHA-17C-xx-E250	200	○	○			-3C-200		
FHA-25C-xx-E250	200	○	○			-3C-200		
FHA-32C-xx-E250	200	○	○				-6C-200	
FHA-40C-xx-E250	200	○	○				-6C-200	
FHA-8C-xx-12S17b	200			17-bit absolute	-1D-200			
FHA-11C-xx-12S17b	200				-1D-200			
FHA-14C-xx-12S17b	200				-1D-200			
FHA-17C-xx-S248	200	○	○	13-bit absolute		-3A-200		
FHA-25C-xx-S248	200	○	○			-3A-200		
FHA-32C-xx-S248	200	○	○				-6A-200	
FHA-40C-xx-S248	200	○	○				-6A-200	
FHA-8C-xx-E200	100		○	Wire-saving incremental	-1C-100			
FHA-11C-xx-E200	100		○		-1C-100			
FHA-14C-xx-E200	100		○		-1C-100			
FHA-17C-xx-E250	100	○	○			-3C-100		
FHA-25C-xx-E250	100	○	○				-6C-100	
FHA-32C-xx-E250	100	○	○				-6C-100	
FHA-8C-xx-12S17b	100			17-bit absolute	-1D-100			
FHA-11C-xx-12S17b	100				-1D-100			
FHA-14C-xx-12S17b	100				-1D-100			
FHA-17C-xx-S248	100	○	○	13-bit absolute		-3A-100		
FHA-25C-xx-S248	100	○	○				-6A-100	
FHA-32C-xx-S248	100	○	○				-6A-100	

				Function	HA-800*1	HA-800*3	HA-800*6	HA-800*24
				Rated current (A)	1.5	3	6	24
				Maximum current (A)	4.0	9.5	19	55
				General-purpose I/O	HA-800A			
				MECHATROLINK	HA-800B			
				CC-Link	HA-800C			
				Overseas standard	UL/cUL			
					CE			
					TUV			
Applicable actuator	Voltage	UL/cUL	CE	Encoder type				
SHA25Axxxx-B09x200-xxS17bA	200	○	○	17-bit absolute		-3D-200		
SHA32Axxxx-B12x200-xxS17bA	200	○	○				-6D-200	
SHA40Axxxx-B15x200-xxS17bA	200	○	○				-6D-200	-24D-200
SHA58Axxxx-A21x200-xxS17bA	200	○	○					-24D-200
SHA65Axxxx-A21x200-xxS17bA	200	○	○					-24D-200
SHA25Axxxx-B09x100-xxS17bA	100	○	○				-6D-100	

## Compatible standards

### Motor & Actuator

UL 1004-1 (Rotating Electrical Machines - General Requirements)

UL 840 (Insulation Coordination Including Clearances and Creepage Distances for Electrical Equipment)

CSA-C22.2 No. 100 (Motors and Generators), CSA-C22.2 No. 0.2 (Insulation Coordination)  
(UL File No. E243316)

EN60034-1 (Low Voltage Directive)

\* The compatible Motor and Actuator standards vary depending on the model.  
For details, refer to the individual catalogue.

### Driver

<HA-800A-1\*, HA-800A-3\*, HA-800A-6\*, HA-800A-24\*>

UL 508C (Power Conversion Equipment)

CSA-C22.2 No.14 (Industrial Control Equipment)  
(UL File No. E229163)

EN61800-5-1 (Low Voltage Directive)

EN61800-3 (EMC Directive)



## Conformance to European EC Directives

We conduct the Low Voltage Directive and EMC Directive conformance check test related to CE marking for the HA-800 series drivers at the third party authentication agency in order to ease CE marking by customer's device.

### Precautions on conformance to EMC Directives

We fabricated a model that embeds AC Servo Driver and AC Servo Actuator or Motor in a control board for our AC servo system and use the model to comply with standards related to EMC Directives.

In your actual use, using conditions, cable length and other conditions related to wiring may be different from the model.

For these reasons, it is necessary that the final equipment or devices incorporating AC Servo Driver and AC Servo Actuator comply with EMC Directives.

We introduce peripheral devices used in our model such as noise filter to make it easy for you to comply with EMC Directives when incorporating and using this product.

### **Standard related to EMC Directives**

Motor/driver

EN55011/ Group 1 Class A/ A2: 2007

EN61800-3: 2004

IEC61000-4-2: Electrostatic discharge immunity

IEC61000-4-3: Radio frequency field immunity

IEC61000-4-4: Electrical fast transient/burst immunity

IEC61000-4-5: Surge immunity

IEC61000-4-6: Immunity to conducted disturbances, induced by radio-frequency

IEC61000-2-1: Voltage dip and voltage variations immunity

IEC61000-2-4: Low frequency conducted disturbance

IEC60146-1-1 Class B

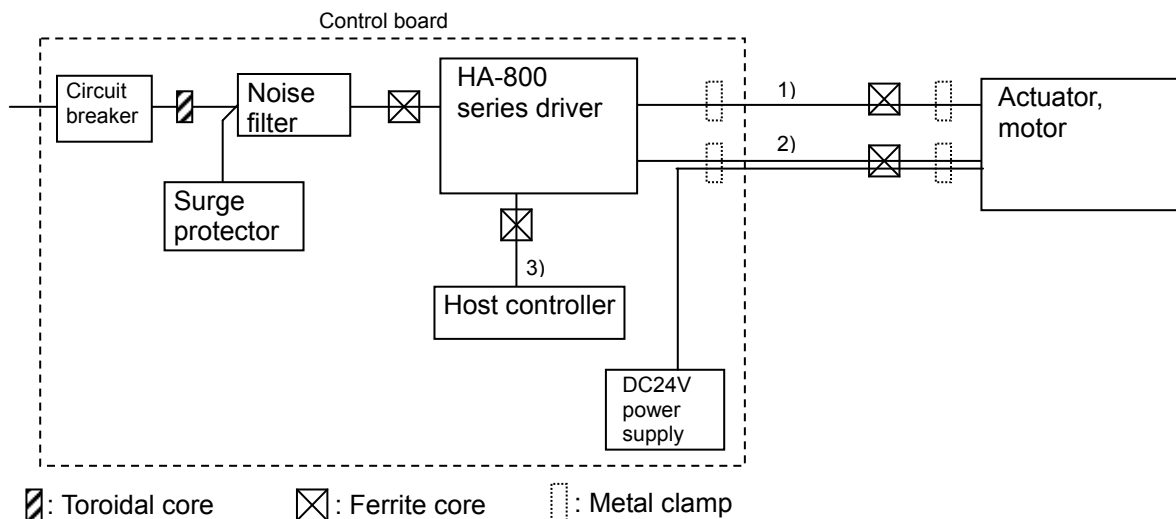
### Configuration of peripheral devices

Installation environment (conditions): Please observe the following installation environment in order to use this product safely.

1) Overvoltage category: III

2) Pollution degree: 2

### Model configuration diagram



1) Encoder cable 2) Motor cable (motor power and holding brake)  
3) Interface cable

(1) Input power supply

200V input type

Main circuit power: 3 phase/single phase, 200 to 230V (+10%, -15%), 50/60Hz

Control power supply: Single phase, 200 to 230V (+10%, -15%), 50/60Hz

100V input type

Main circuit power: Single phase, 100 to 115V (+10%, -15%), 50/60Hz

Control power supply: Single phase, 100 to 115V (+10%, -15%), 50/60Hz

(2) Circuit breaker

Use a circuit breaker complying with IEC standard and UL standard (UL Listed) for the power input area.

(3) Noise filter

Use a noise filter complying with EN55011 Group 1 Class A.

(For details, refer to the next page.)

(4) Toroidal core

Install toroidal core in the power input area.

Depending on the noise filter, 4-turn input to L1, L2, L3, and ground or 1-turn input to L1, L2, and L3, not including ground, may be valid.

(For details, refer to the next page.)

(5) Motor cable, encoder cable

Use shield cables for the motor cable and encoder cable.

Clamp ground the shield of the motor cable and encoder cable near the driver and motor.

If you use FHA-8C/11C/14C or RSF-8B/11B/14B, insert the ferrite core into the motor cable and encoder cable (near the motor).

(6) Interface cable


If you use the HA-800C driver, use ferrite core for the interface cable.


(7) Surge protector

Install the surge absorber in the AC power input area. Remove the surge absorber when you perform voltage resistance test of AC/DC machine/system with built-in surge absorber.

(The surge absorber may be damaged.)

(8) Ground

In order to prevent electric shock, make sure to connect the ground wire of the control board (control cabinet) to the ground terminal  of the AC Servo Driver.

Moreover, do not tighten the connection to the ground terminal  of the AC Servo Driver together.

## Recommended parts for compliance with EMC

### (1) Noise filter

Model	Specifications	Manufacturer	Remarks
RF3020-DLC	Rated voltage: Line-Line 440 to 550V Rated current: 20 A	RASMI ELECTRONICS LTD.	Enable the 4-turn input to L1, L2, L3, and ground for toroidal core.
RF3030-DLC	Rated voltage: Line-Line 440 to 550V Rated current: 30 A	RASMI ELECTRONICS LTD.	
RF3040-DLC	Rated voltage: Line-Line 440 to 550V Rated current: 40 A	RASMI ELECTRONICS LTD.	
HF3010A-UN	Rated voltage: AC250V Rated current: 10A	Soshin Electric Co., Ltd.	Enable 1-turn input to L1, L2, and L3, not including ground for toroidal core.
HF3030A-UN	Rated voltage: AC250V Rated current: 30A	Soshin Electric Co., Ltd.	
HF3040A-UN	Rated voltage: AC250V Rated current: 40A	Soshin Electric Co., Ltd.	
SUP-P5H-EPR	Rated voltage: AC250V Rated current: 5A	Okaya Electric Industries Co., Ltd.	Enable the 4-turn input to L1, L2, L3, and ground for toroidal core. Moreover, install insulation transformer and ferrite core at the power input area. Refer to (3) and (5).
SUP-P10H-EPR	Rated voltage: AC250V Rated current: 10A	Okaya Electric Industries Co., Ltd.	
3SUP-H5H-ER-4	Rated voltage: AC250V Rated current: 5A	Okaya Electric Industries Co., Ltd.	
3SUP-H10-ER-4	Rated voltage: AC250V Rated current: 10A	Okaya Electric Industries Co., Ltd.	

### (2) Toroidal core

Model	Outer diameter	Inner diameter	Manufacturer
MA070R-63/38/25A	65 mm	36 mm	JFE Ferrite Corporation
LRF624520MK	66 mm	41 mm	Nippon Chemi-Con Corporation

### (3) Ferrite core

Model	Manufacturer
ZCAT3035-1330	TDK Corporation
ZCAT2032-0930	TDK Corporation
ZCAT2132-1130	TDK Corporation

### (4) Surge protector

Model	Manufacturer
RAV-781BXZ-4	Okaya Electric Industries Co., Ltd.
RAV-781BWZ-4	Okaya Electric Industries Co., Ltd.

### (5) Insulation transformer

Model	Specifications	Manufacturer
PT1-20002	Number of phase: Single phase Rated current: 2 A Power capacity: 400VA	Harmonic Drive Systems Inc.
PT1-20004	Number of phase: Single phase Rated current: 4 A Power capacity: 800VA	Harmonic Drive Systems Inc.
PT1-20008	Number of phase: Single phase Rated current: 8 A Power capacity: 1600VA	Harmonic Drive Systems Inc.



# Chapter 1

## Functions and configuration

---

Outlines of driver models, specifications, external dimensions, etc., are explained in this chapter.

---

1-1	Overview of drivers	1-1
1-2	Function block diagram	1-2
1-3	Device configuration diagram	1-3
1-4	Driver model	1-5
1-5	Actuator and extension cable combinations	1-6
1-6	Driver ratings and specifications	1-7
1-7	Function list	1-11
1-8	External drawing	1-12
1-9	Name and function of each part of a display panel	1-14

# 1-1 Overview of drivers

The HA-800 driver series are dedicated servo drivers for SHA series, FHA-C series, RSF series and other actuators which are ultra-thin and feature a hollow shaft structure. These actuators utilize speed reducer harmonic drive<sup>®</sup> for precision control and AC servo motors.

The HA-800 drivers provide many superior functions to allow various actuators to excel in performance.

## Overview of functions

### Shorter positioning stabilization time using original control logic (compared to HA-655)

By utilizing the characteristics of HarmonicDrive<sup>®</sup> in the control logic, positioning overshoot and undershoot are suppressed and the positioning stabilization time is reduced significantly.

### Adopting an I/O signal function assignment method

Desired functions can be selected from a wide range of functions and assigned to I/O signals according to specific applications.

Also, multiple functions can be assigned to a single input terminal for an input signal, which adds to usability.

### Auto-tuning function

The auto-tuning function allows the driver to estimate the load and automatically set an appropriate servo gain in the test mode.

### Control mode switching

You can use an input signal to switch the control mode applied to the current operation.

The following switching patterns are supported:

Position control mode ↔ Speed control mode

Position control mode ↔ Torque control mode

Speed control mode ↔ Torque control mode

- **Position control mode**

The pulse speed and pulse count specified by an external pulse train are used to implement smooth speed control and high-accuracy positioning control.

- **Speed control mode**

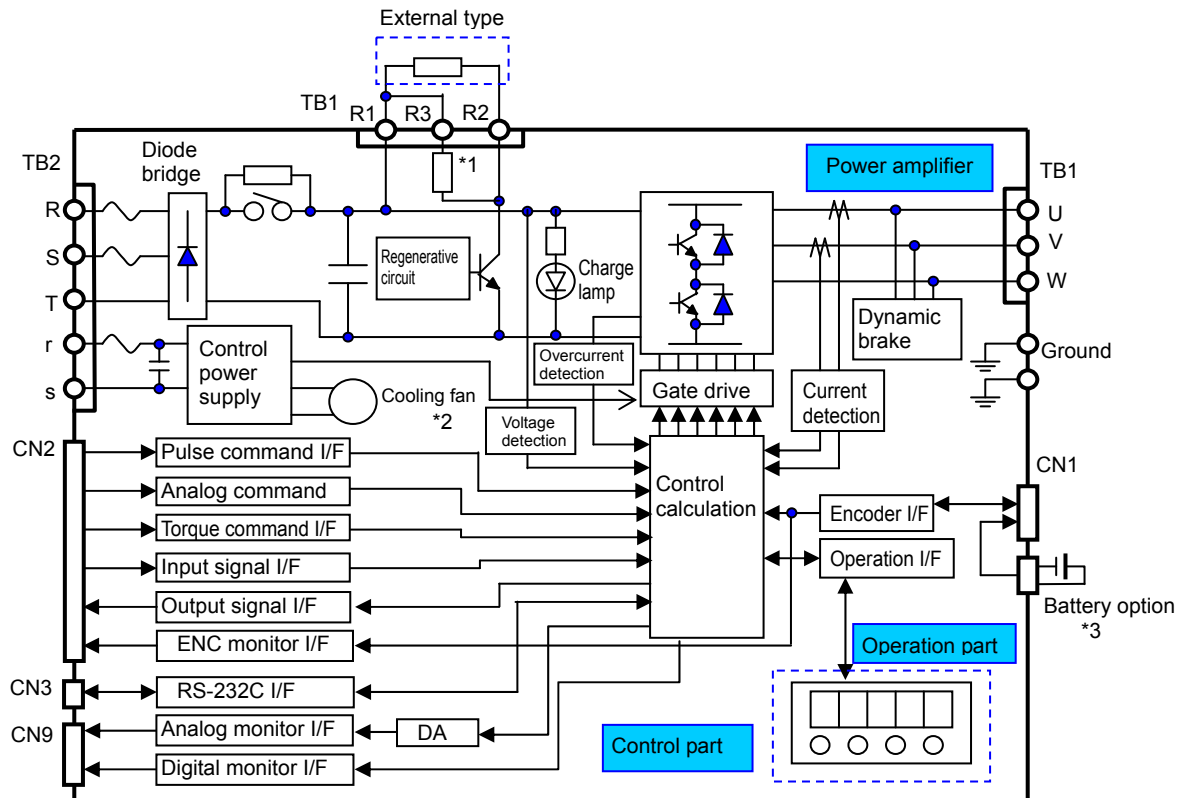
An external analog speed command (DC±10V) or internal speed command via parameter is used to smoothly control the rotation speed and direction of the actuator at high accuracy.

- **Torque control mode**

An external analog torque command (DC±10V) is used for the torque control of the motor.

# 1-2 Function block diagram

An internal function block diagram of this driver is shown.

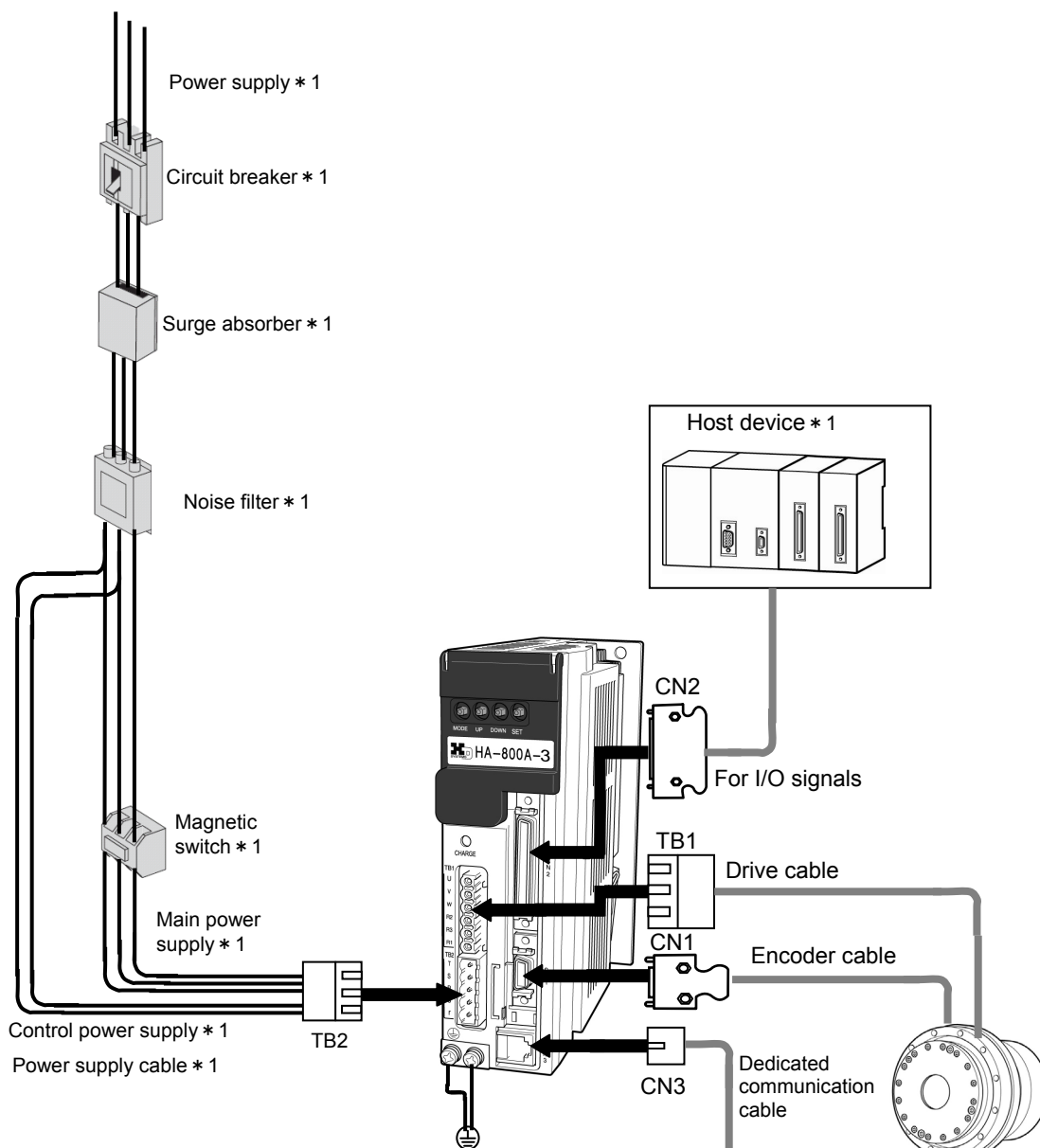


- \*1: The HA-800-1 has no built-in regenerative resistor.
- \*2: The HA-800-6 and higher models come with a cooling fan.
- \*3: A battery is required if an absolute encoder is used.

# 1-3 Device configuration diagram

A basic configuration diagram of this driver is shown.

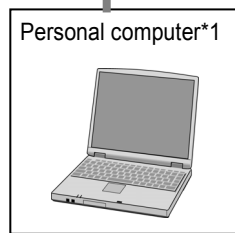
## HA-800A-1,3,6-200



\*1: The customer should provide marked devices separately.

\*2: The configuration in the case of 3-phase AC200V is shown here. Single-phase AC100V can also be used depending on the actuator model.

Refer to P2-6 for the connection example.

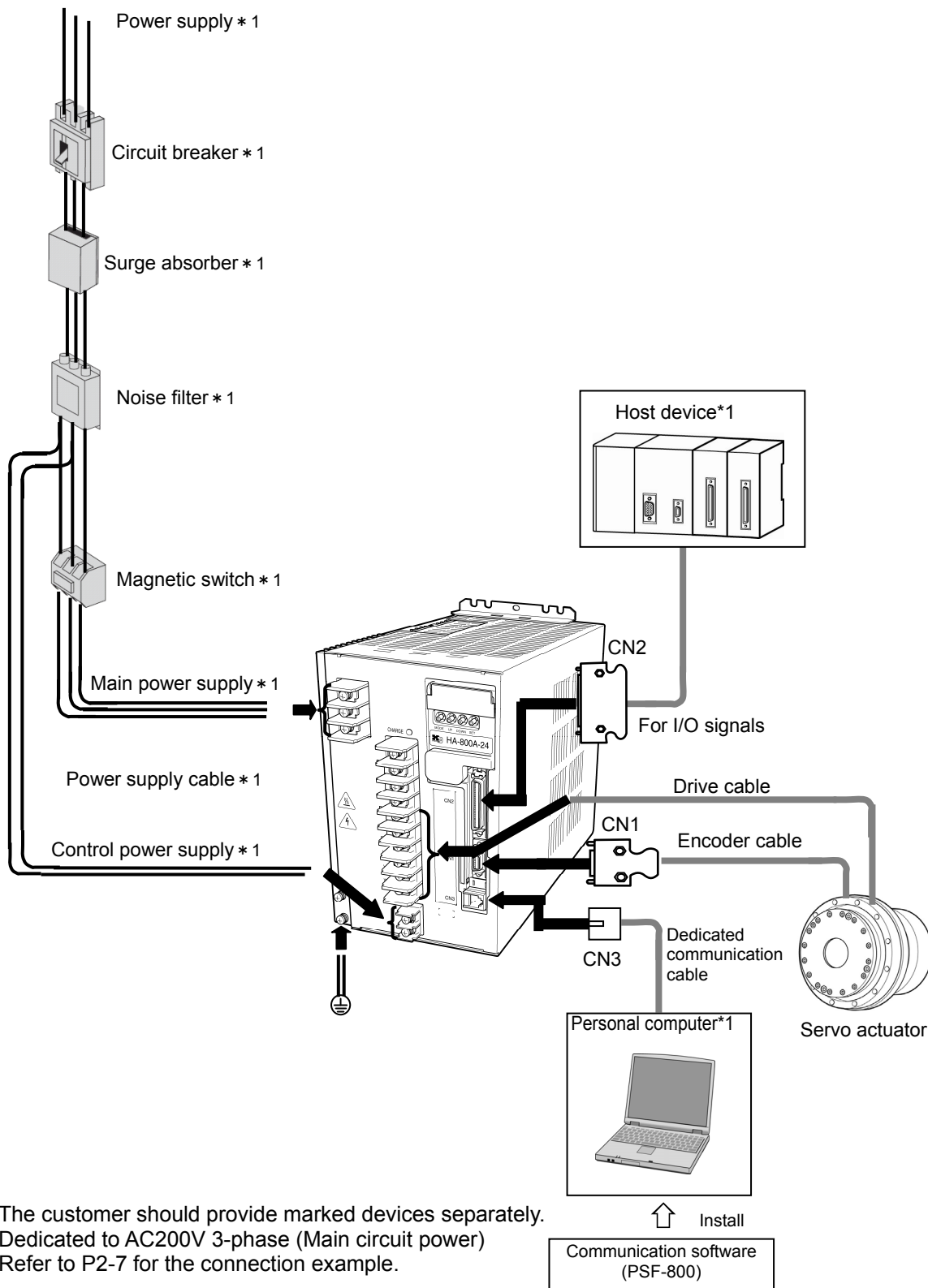


↑ Install

Communication software (PSF-800)



HA-800A-24-200



\*1: The customer should provide marked devices separately.

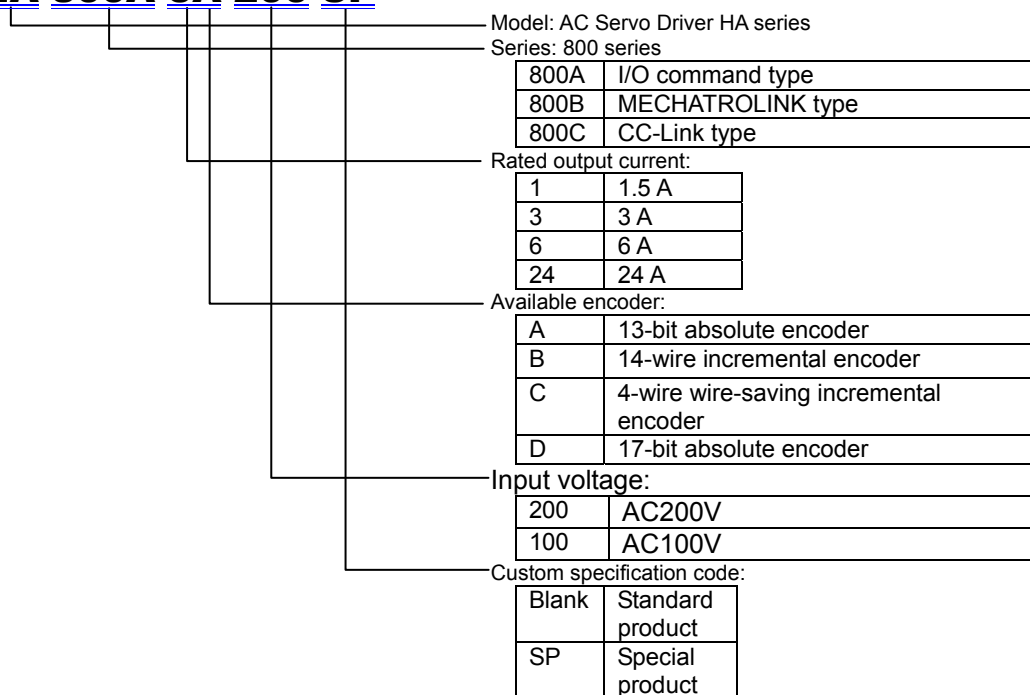
\*2: Dedicated to AC200V 3-phase (Main circuit power)  
Refer to P2-7 for the connection example.

## 1-4 Driver model

The following explains how to read the driver model name and symbol, as well as options.

### Driver model

#### HA-800A-3A-200-SP



### Option

#### Extension cables (optional)

Refer to [1-5 Actuator and extension cable combinations].

#### Dedicated communication cables (optional)

Model EWA-RS03

#### Connectors (optional)

Model CNK-HA80A-S1/CNK-HA80A-S2/CNK-HA80A-S1-A/CNK-HA80A-S2-A

#### Servo parameter setting software

PSF-800 (Downloadable from our website <http://www.hds.co.jp/>)

#### Backup battery for absolute encoder

HAB-ER17/33 (attached to the shipped driver)

# 1-5 Actuator and extension cable combinations

The following explains the combinations of drivers, actuators and extension cables (option).

Actuator series	Model No.	Input voltage (V)	Encoder type	Combined driver	Extension cables (option)		
				HA-800A			
SHA series	25	100	17-bit Absolute	HA-800A-6D-100	Motor wire EWD-MB**-A06-TN3 Encoder wire EWD-S**-A08-3M14		
		200		HA-800A-3D-200			
	32	200		HA-800A-6D-200			
		40		200	HA-800A-6D-200		
	58			200	HA-800A-24D-200	Motor wire Model No.40:EWD-MB**-A06-TMC Model No.58,65:EWD-MB**-D09-TMC Encoder wire Model No.40:EWD-S**-A08-3M14 Model No.58,65:EWD-S**-D10-3M14	
		200		HA-800A-24D-200			
FHA-Cmini series	8	200	4 wires, wire-saving type Incremental	HA-800A-1C-200	Motor wire EWC-M**-A06-TN3 Encoder wire EWC-E**-M06-3M14		
		11		200		HA-800A-1C-200	
		14		200		HA-800A-1C-200	
	8	100	4 wires, wire-saving type Incremental	HA-800A-1C-100			
		11		100		HA-800A-1C-100	
		14		100		HA-800A-1C-100	
	8	200	17-bit Absolute	HA-800A-1D-200	Motor wire EWC-M**-A06-TN3 Encoder wire EWD-S**-A08-3M14		
		11		200		HA-800A-1D-200	
		14		200		HA-800A-1D-200	
	8	100	17-bit Absolute	HA-800A-1D-100			
		11		100		HA-800A-1D-100	
		14		100		HA-800A-1D-100	
FHA-C series	17	200	4 wires, wire-saving type Incremental	HA-800A-3C-200	Motor wire EWC-MB**-M08-TN3 Encoder wire EWC-E**-B04-3M14		
				25		200	HA-800A-3C-200
				32		200	HA-800A-6C-200
				40		200	HA-800A-6C-200
	17	200	13-bit Absolute	HA-800A-3A-200	Motor wire EWC-MB**-M08-TN3 Encoder wire EWC-S**-B08-3M14		
				25		200	HA-800A-3A-200
				32		200	HA-800A-6A-200
				40		200	HA-800A-6A-200
	17	100	4 wires, wire-saving type Incremental	HA-800A-3C-100	Motor wire EWC-MB**-M08-TN3 Encoder wire EWC-E**-B04-3M14		
				25		100	HA-800A-6C-100
				32		100	HA-800A-6C-100
				17		100	HA-800A-3A-100
25	100	HA-800A-6A-100					
32	100	HA-800A-6A-100					
RSF series	17	200	14 wires Incremental	HA-800A-3B-200	Motor wire EWA-M**-A04-TN3 Encoder wire EWA-E**-A15-3M14		
RSF/RKF series	20	200		HA-800A-3B-200			
	25	200		HA-800A-3B-200			
	32	200		HA-800A-6B-200			

\*1: It is different from the maximum torque and allowable continuous torque operable range of the actuator SHA40A. Select the option according to your intended application. Refer to "Operable range" in the SHA Series Manual.

\*2: \*\* in the extension cable model indicates the cable length. Select a desired length from the following 3 types:  
03:3m, 05:5m, 10:10m

# 1-6 Driver ratings and specifications

The following explains the ratings and specifications of this driver.

Input voltage		Power supply: 200V			Power supply: 100V		
Model		HA-800A-1* -200	HA-800A-3* -200	HA-800A-6* -200	HA-800A-1* -100	HA-800A-3* -100	HA-800A-6* -100
Driver's rated current <sup>*1</sup>		1.5 A	3.0 A	6 A	1.5 A	3.0 A	6 A
Driver's maximum current <sup>*1</sup>		4.0 A	9.5 A	19.0 A	4.0 A	9.5 A	19.0 A
Input voltage	Main circuit	AC200 to 230V (single phase <sup>2</sup> /3 phase), +10 to -15%			AC100 to 115V (single phase), +10 to -15%		
	Control circuit	AC200 to 230V (single phase), +10 to -15% 30VA			AC100 to 115V (single phase), +10 to -15% 30VA		
Power frequency		50/60Hz					
Allowed revolution (motor shaft)	13-bit Absolute	—	-4,096 to 4,095		—	-4,096 to 4,095	
	17-bit Absolute	-32,768 to 32,767			-32,768 to 32,767		
Allowed environment		Operating temperature: 0 to 50°C Storage temperature: -20 to 65°C Operating/storage humidity: below 95%RH (No condensation) Vibration resistance: 4.9 m/s <sup>2</sup> (10 to 55Hz) Shock resistance: 98m/s <sup>2</sup> Ambience: Free from metal powder, powder dust, oil mist and corrosive gases					
Structure		Natural air cooling	Forced air-cooling	Natural air cooling	Forced air-cooling		
Installation method		Base mount (wall installation)					
Control modes		Position control, speed control, torque control (Switchable using I/Os)					
Position command pulse		Line collector type: Maximum response frequency 2-pulse train, 1-pulse train: 1MHz, 2-phase pulse train: 200kHz Open collector type: Maximum response frequency 200kHz					
Speed command voltage		DC ± 10V/max. rotation speed, input impedance approx. 68kΩ					
Torque command voltage		DC ± 10V/maximum torque, input impedance approx. 68kΩ					
Speed control range		1: 1,000 or more					
Input signals		Emergency stop, reset, clear, FWD inhibit, REV inhibit, FWD enable, REV enable, FWD selection, REV selection, internal speed command 1, internal speed command 2, internal speed limit 1, internal speed limit 2, torque limit, electronic gear selection, control mode, INHIBIT					
Output signals		Operation preparation complete, alarm, in-position complete, attained speed, attained torque, speed limiting, torque limiting, zero speed, control mode, DB status, battery voltage low, overload status, cooling fan stopped, FWD inhibit input effective, REV inhibit input effective, warning					
Motor terminals		3 channels, motor rotation speed, current command, general-purpose output (parameter selection)					
Digital I/O port		RS-232C/RS-485: Status monitor, various parameters settings (PSF-800) Digital output: Absolute encoder data output					
Operation panel	Configuration	Display (7-segment LED), 5 digits (red), 4 push-button switches					
	Status display function	Rotation speed (r/min), torque command (%), over load rate (%), input signal monitor, output signal monitor, alarm history (8 alarms), etc.					
	Parameter adjustment function	System parameters 1, 2, 3, 4, adjustment parameters 1, 2					

Protective functions	Alarms	Emergency stop, overspeed, overload, IPM error (overcurrent), regenerative resistor overheat, encoder disconnection, encoder receiving error, UVW error, system failure, multi revolution overflow, multi revolution data error, error counter overflow, memory failure, FPGA configuration error, FPGA setting error, MEMORY error, Single revolution data error, BUSY error, overheat error, communication error				
	Warnings	Battery voltage low, Overload status, cooling fan stopped, main circuit power voltage low, FWD inhibit input effective, REV inhibit input effective				
Regenerative processing	Comes with an external regenerative resistor mounting terminal	Regenerative resistor contained Comes with an external regenerative resistor mounting terminal	Comes with an external regenerative resistor mounting terminal	Regenerative resistor contained Comes with an external regenerative resistor mounting terminal		
Regenerative resistor absorption power	—	3W max.	8W max.	—	3W max.	8W max.
Embedded functions	Status display function, self diagnosis, electronic gear, JOG and other operations, dynamic brake, multi revolution data backup battery					
Surge-current prevention function	Incorporated (CPU control based on monitoring of main circuit voltage)					
Operation mode	Status display mode (for usual operations), test mode, tune mode, system parameter configuration mode					
Mass	1kg		1.2kg		1kg	

\*1: Set according to the specification of the combined actuator.

\*2: If the FHA-Cmini (FHA-8C/11C/14C) or FHA-17C is combined, 3-phase 200V or single-phase 200V input can be used.

\*3: If the SHA series or any of FHA-25C/32C/40C is combined, use of 3-phase 200V input is recommended. Single-phase AC200V input can also be used by derating the output. Derate the rotation speed or output torque based on the continuous motion range of the actuator being 100%.

Actuator speed ratio	SHA25A 51/81/ 101/121	SHA25 A161	SHA32A 51/81/ 101/121	SHA32 A161	SHA40A 51/81/101/121/161 (Combined with HA-800A-6)	FHA-25C 50/100/160	FHA-32C 50/100/160	FHA-40C 50/100/160
Derating	40%	70%	60%	80%	30%	60%	80%	40%

Input voltage		Power supply: 200V
Model		HA-800A-24
Driver's rated current <sup>*1</sup>		24 A
Driver's maximum current <sup>*1</sup>		55 A
Input voltage	Main circuit	AC200 to 230V (3 phase), +10 to -15%
	Control circuit	AC200 to 230V (single phase), +10 to -15% 30VA
Power frequency		50/60Hz
Allowed revolution (motor shaft)		-4,096 to 4,095 (13 bits, absolute) -32,768 to 32,767 (17 bits, absolute)
Allowed environment		Operating temperature: 0 to 50°C Storage temperature: -20 to 65°C Operating/storage humidity: below 95%RH (No condensation) Vibration resistance: 4.9 m/s <sup>2</sup> (10 to 55Hz) Shock resistance: 98m/s <sup>2</sup> Ambience: Free from metal powder, powder dust, oil mist and corrosive gases
Structure		Forced air-cooling type
Installation method		Base mount (wall installation)
Control modes		Position control, speed control, torque control (Switchable using I/Os)
Position command pulse		Line collector type: Maximum response frequency 2-pulse train, 1-pulse train: 1MHz, 2-phase pulse train: 200kHz Open collector type: Maximum response frequency 200kHz
Speed command voltage		DC ± 10V/max. rotation speed, input impedance approx. 68kΩ
Torque command voltage		DC ± 10V/maximum torque, input impedance approx. 68kΩ
Speed control range		1: 1,000 or more
Input signals		Emergency stop, reset, clear, FWD inhibit, REV inhibit, FWD enable, REV enable, FWD selection, REV selection, internal speed command 1, internal speed command 2, internal speed limit 1, internal speed limit 2, torque limit, electronic gear selection, control mode, INHIBIT
Output signals		Operation preparation complete, alarm, in-position complete, attained speed, attained torque, speed limiting, torque limiting, zero speed, control mode, DB status, battery voltage low, overload status, cooling fan stopped, FWD inhibit input effective, REV inhibit input effective, warning,
Motor terminals		3 channels, motor rotation speed, current command, general-purpose output (parameter selection)
Digital I/O port		RS-232C/RS-485: For monitoring output current, setting various parameters (PSF-800) Digital output: Absolute encoder data output
Operation panel	Configuration	Display (7-segment LED), 5 digits (red), 4 push-button switches
	Status display function	Rotation speed (r/min), torque command (%), over load rate (%), input signal monitor, output signal monitor, alarm history (8 alarms), etc.
	Parameter adjustment function	System parameters 1, 2, 3, 4, adjustment parameters 1, 2
Protective functions	Alarms	Emergency stop, overspeed, overload, IPM error (overcurrent), regenerative resistor overheat, encoder disconnection, encoder receiving error, UVW error, system failure, multi revolution overflow, multi revolution data error, error counter overflow, memory failure, FPGA configuration error, FPGA setting error, MEMORY error, MT error, ST error, PS error, BUSY error, overheat error, communication error, 1-phase missing error, main circuit voltage low error, overregeneration error, excessive regenerative power error
	Warnings	Battery voltage low, Overload status, main circuit power voltage low, FWD inhibit input effective, REV inhibit input effective
Regenerative processing		Regenerative resistor contained Comes with an external regenerative resistor mounting terminal

<b>Regenerative resistor absorption power</b>	90W max.
<b>Embedded functions</b>	Status display function, self diagnosis, electronic gear, JOG and other operations, dynamic brake, multi revolution data backup battery
<b>Surge-current prevention function</b>	Incorporated (CPU control based on monitoring of main circuit voltage)
<b>Operation mode</b>	Status display mode (for usual operations), test mode, tune mode, system parameter configuration mode
<b>Mass</b>	5.5kg

\*1: Set according to the specifications of the combined actuator.

## 1-7 Function list

The following explains a list of functions provided by this driver.

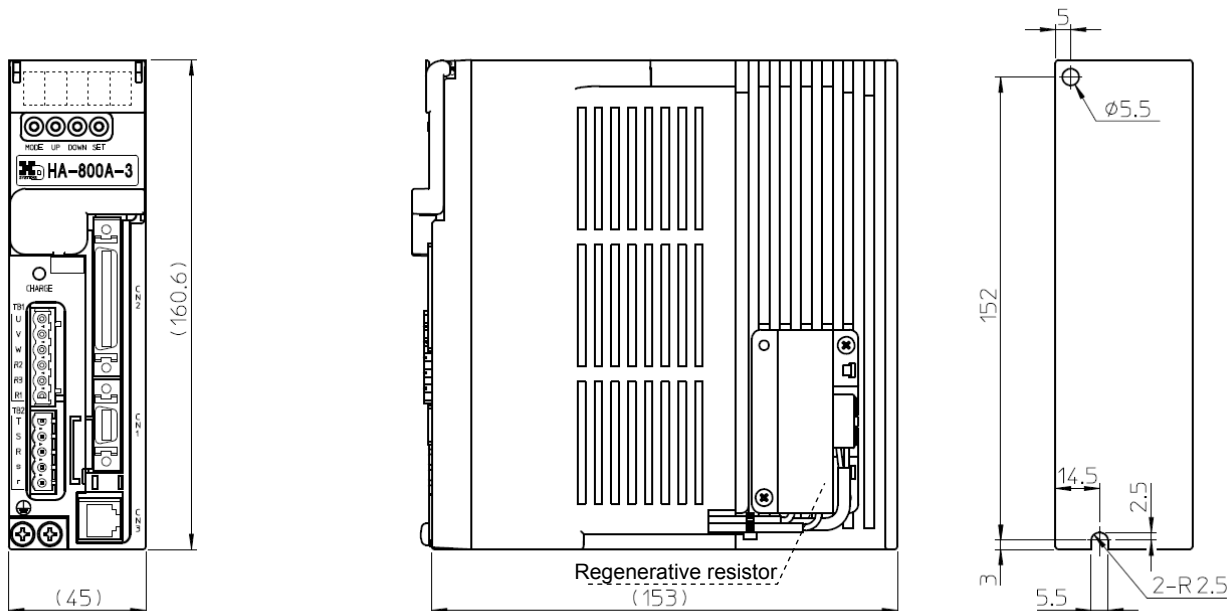
Function	Description	Applicable control mode	Reference
Position control mode	The driver functions as a position control servo.	P	P5-15
Speed control mode	The driver functions as a speed control servo.	S	
Torque control mode	The driver functions as a torque control servo.	T	
Position/speed switching mode	A signal input is used to switch between position control and speed control.	P/S	P8-4
Position/torque switching mode	A signal input is used to switch between position control and torque control.	P/T	
Speed/torque switching mode	A signal input is used to switch between speed control and torque control.	S/T	
Input signal selection	You can assign the necessary input signal pins and change their logics.	All	Chapter 5
Output signal selection	You can assign the necessary output signal pins and change their logics.	All	
Absolute position sensor	Once the absolute position is set, an actuator equipped with an absolute position encoder will recognize the current position after each subsequent reconnection of power.	All	P4-10 P4-20
Shorter positioning time	The HarmonicDrive® characteristics of the actuator are utilized in the control logic to shorten the positioning time.	All	P3-15
Auto-tuning	The driver can estimate the load in the JOG mode and automatically set an appropriate servo gain.	All	P9-11
Regenerative processing	If the regenerated power exceeds the value permitted by the driver, the excess power is used for the external regenerative resistor.	All	P2-17
Alarm history	The descriptions and occurrence times of up to 8 most recent alarms are displayed.	All	P7-8
Alarm history clear	The alarm history is cleared.	All	P7-10
Alarm code output	When an alarm occurs, its description is displayed and an alarm is output.	All	P7-9
Warning output	When a warning occurs, its description is displayed and an alarm is output.	All	
Electronic gear	You can change the weight (multiplier) of pulse input by setting desired values for the numerator and denominator of electronic gear.	All	P8-6
JOG operation	Operation check can be performed to see if the power supply, motor wire and encoder wiring are normal, regardless of the I/O signals received from the host.	All	P9-6
Status display mode	The servo driver status can be displayed, and monitored if requested.	All	P7-1
Test mode	Functions such as I/O signal monitor, output signal operation, JOG operation and auto-tuning are available.	All	Chapter 9
Tune mode	Set the servo gain, in-position range and various other items relating to the servo system.	All	Chapter 7
System parameter mode	Assign I/O signals, electronic gear and other extended functions.	All	Chapter 8
Analog monitor output	The motor speed and motor current can be monitored as voltage levels.	All	P5-27
Status monitor output	The selected servo status can be monitored.	All	P8-4



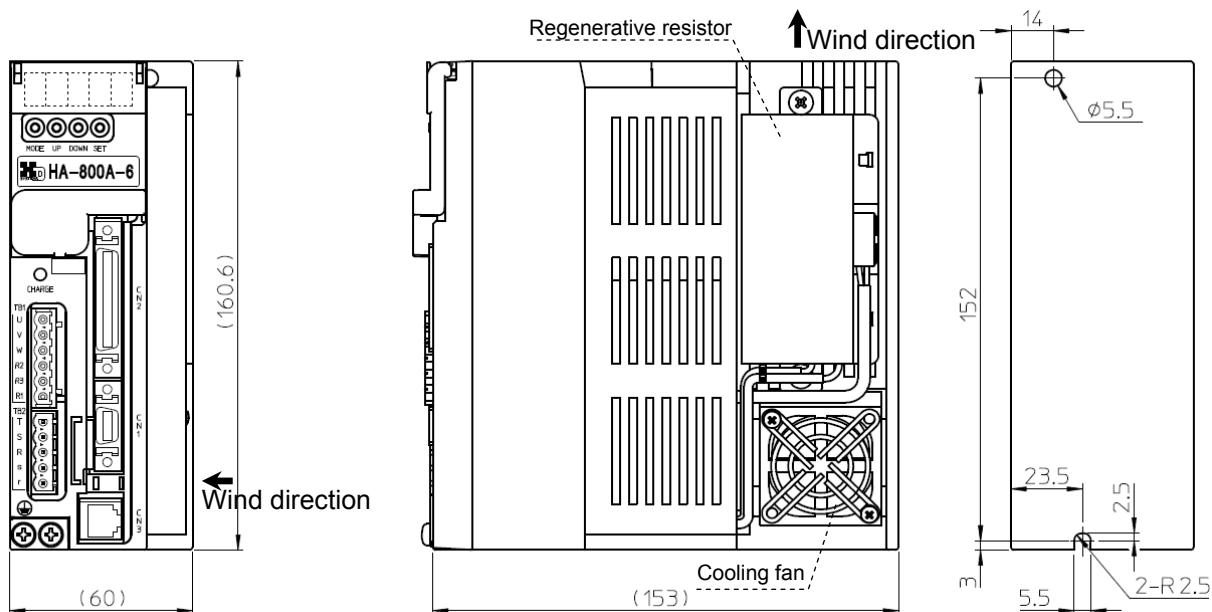
# 1-8 External drawing

The following shows the external drawing of this driver.

**HA-800A-1/3 (Mass: 1 kg)**



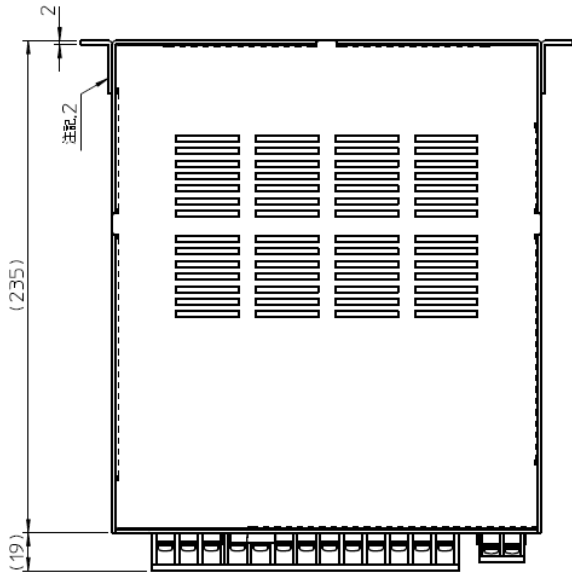
**HA-800A-6 (Mass: 1.2kg)**



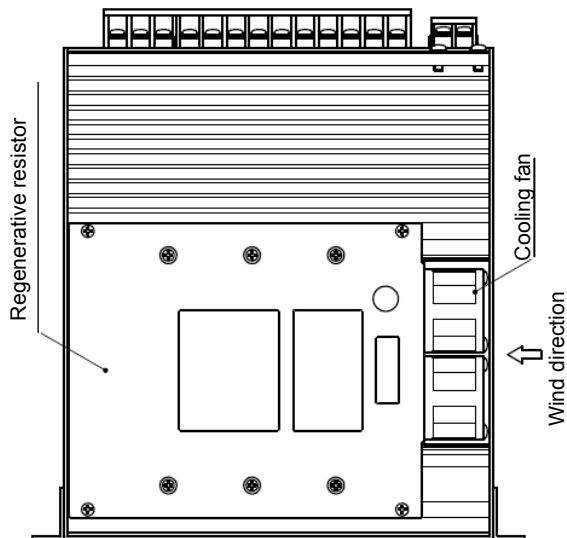
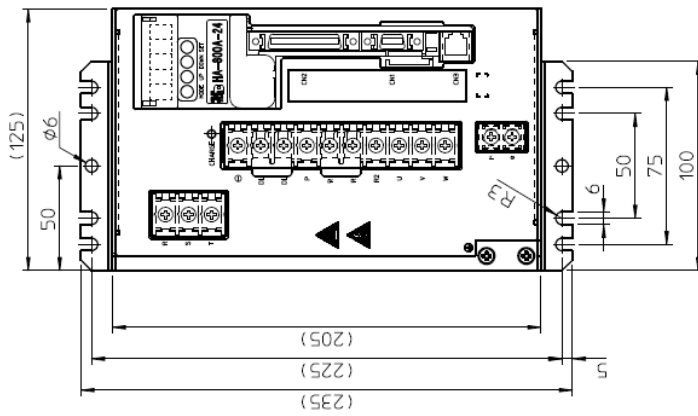
1

Functions and configuration

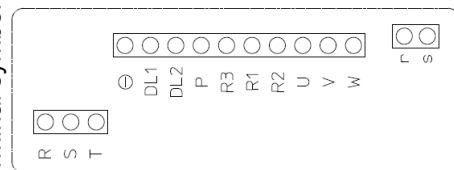
HA-800A-24 (Mass: 5.5 kg)



Installation direction Top ←



Terminal symbol layout

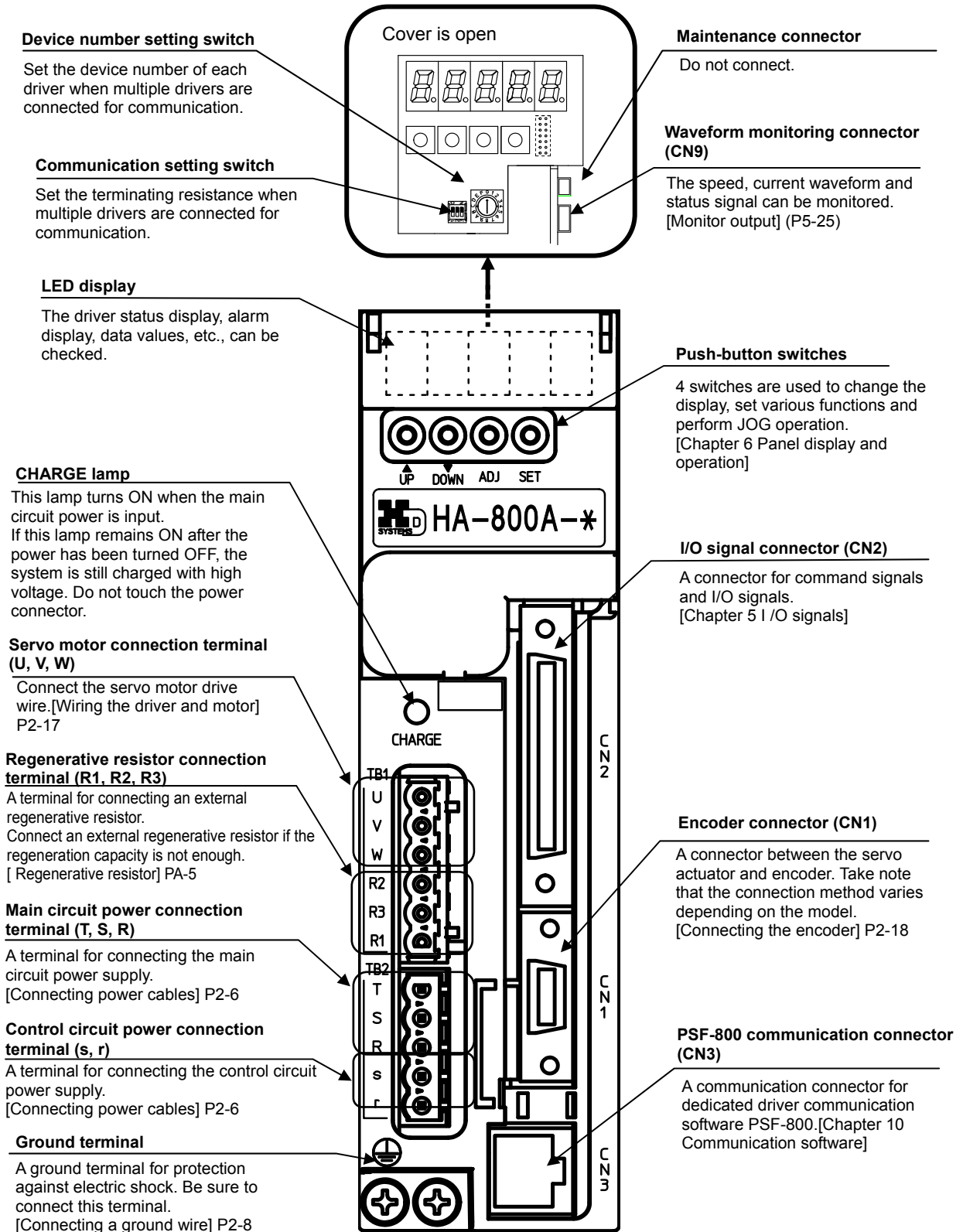


# 1-9

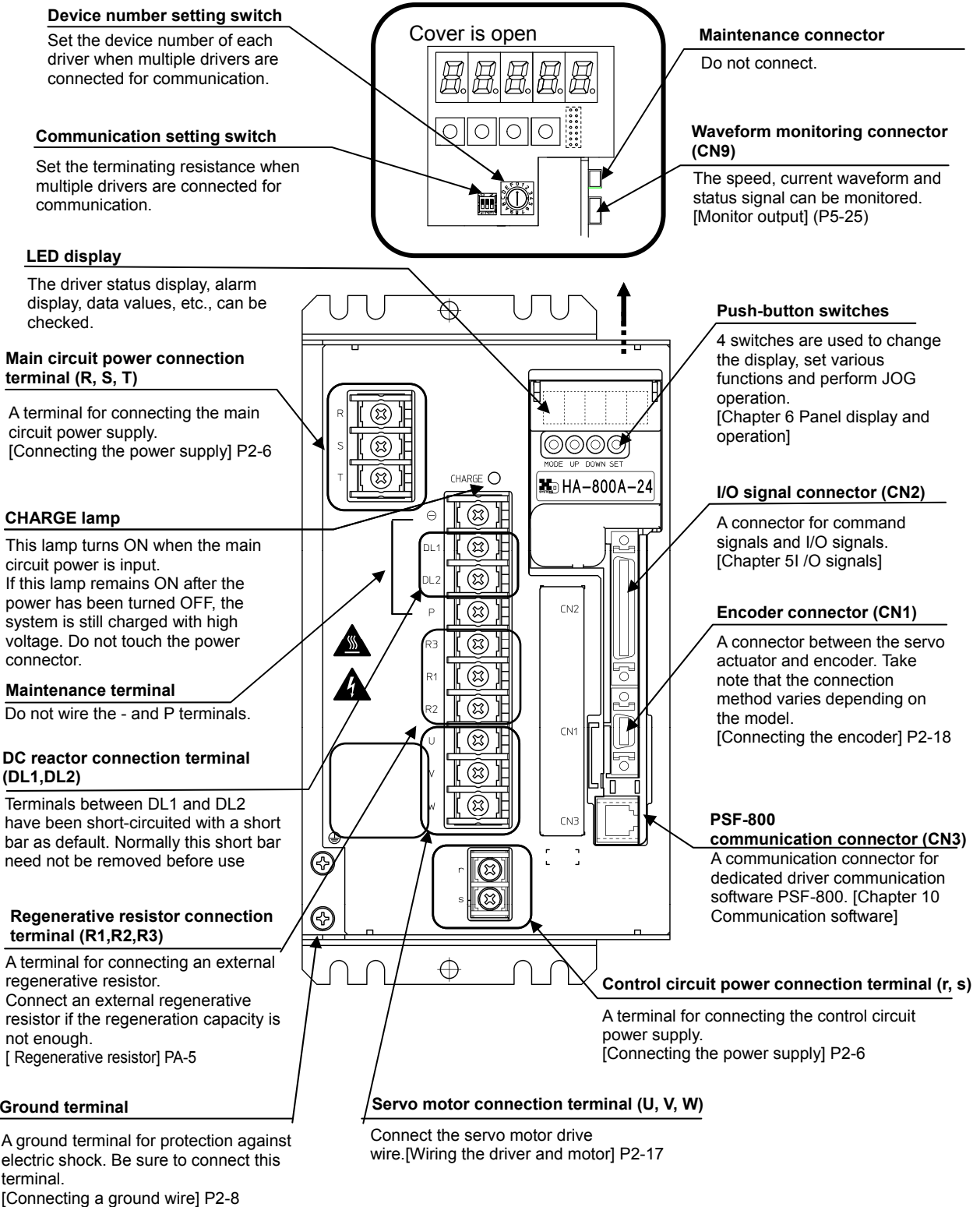
## Name and function of each part of a display panel

The following explains the operation part on the front side of this driver as well as each function provided on the operation part.

### HA-800A-1/HA-800A-3/HA-800A-6



**HA-800A-24**



# Chapter 2

## Installation/wiring

---

Receiving inspection, environment, power wiring, noise suppression and connector wiring are explained in this chapter.

---

2-1	Receiving inspection .....	2-1
2-2	Installation location and installation .....	2-2
2-3	Connecting power cables .....	2-5
2-4	Suppressing noise .....	2-14
2-5	Wiring the driver and motor .....	2-17
2-6	Wiring the host device .....	2-19

# 2-1 Receiving inspection

2

Installation/wiring

After unpacking, check the items described below.

## Check procedure

### 1 Check for damage.

If any damage is found, immediately contact the supplier or store where you purchased your driver.


### 2 Check if the driver is what you ordered.


Check the model code shown below the display panel on the front face of this driver. For information on how to check the model, refer to [Driver model] (P1-5).

Check the model, input voltage and combined actuator on the nameplate attached on the right side face of the driver.

If the model is wrong, immediately contact the supplier or store where you purchased your driver.


Nameplate

<b>HARMONIC DRIVE SYSTEMS INC.</b>		
TYPE	HA-800A-3C	The driver model is shown.
INPUT VOL.	3 $\phi$ 200~230V AC50/60Hz	The applicable power supply is shown.
	1 $\phi$ 200~230V AC50/60Hz	
ADJ.	FHA-17C-50-E250 S061	The model and adjustment model code of the applicable actuator combined with this driver are shown.
SER. No.	S3-2801367-001	The serial number of each driver
PT. No.	9800302116	The driver model number is shown.
		



**Do not combine the actuator other than the one specified on the nameplate.**

The characteristics of this driver have been adjusted according to the actuator. Wrong combinations of HA-800A drivers and actuators may cause insufficient torque or overcurrent that may lead to actuator burnout, injury or fire.



**Do not connect the power supply other than the voltage specified on the nameplate.**

Connecting a power supply not matching the input voltage specified on the nameplate may result in damage to the HA-800A driver, injury or fire.

## 2-2 Installation location and installation

Install this driver in a manner meeting the conditions specified below.

### Installation environment

<b>Operating temperature</b>	<ul style="list-style-type: none"> <li>0 to 50°C</li> </ul> <p>Store the driver in a cabinet. The temperature in the cabinet may be higher than the outside air temperature due to power losses of the housed devices, size of the cabinet, etc. Consider an appropriate cabinet size, cooling and layout to make sure the temperature around the driver does not exceed 50°C.</p>
<b>Operating humidity</b>	<ul style="list-style-type: none"> <li>Relative humidity of 95% or less, non-condensing</li> </ul> <p>Exercise caution if the driver is used in a place subject to significant temperature differences between day and night or in patterns where the driver is started/stopped frequently, because these conditions increase the chances of condensation.</p>
<b>Vibration</b>	<ul style="list-style-type: none"> <li>4.9 m/s<sup>2</sup> (0.5G) (10 to 55Hz)</li> </ul> <p>If there is a source of vibration nearby, install the driver on a base via a shock absorber to prevent the vibration from transmitting directly to the driver.</p>
<b>Impact</b>	<ul style="list-style-type: none"> <li>98 m/s<sup>2</sup> (10G) or less</li> </ul>
<b>Others</b>	<ul style="list-style-type: none"> <li>Free from dust, dirt, condensation, metal powder, corrosive gases, water, water droplets, oil mist, etc.</li> <li>Avoid using the driver in an environment subject to corrosive gases because accidents may occur due to poor contact of contact parts (connectors, etc.).</li> <li>Avoid exposure to direct sunlight.</li> </ul>

### Notices on installation

Install this driver vertically by providing sufficient clearances around it to ensure good ventilation. When installing the driver, provide a clearance of at least 30mm from a wall or adjacent machine, at least 50mm from the floor, and at least 50mm from the ceiling.

The table below shows the power losses of HA-800A drivers for reference when planning the cooling system.

FHA-C series

Driver	HA-800A-1			HA-800A-3		HA-800A-6	
Actuator	FHA-8C	FHA-11C	FHA-14C	FHA-17C	FHA-25C	FHA-32C	FHA-40C
Power loss	25W	30W	40W	30W	40W	50W	60W

RSF/RKF series

Driver	HA-800A-1	HA-800A-3		HA-800A-6
Actuator	RSF-17	RSF/RKF-20	RSF/RKF-25	RSF/RKF-32
Power loss	35W	40W	55W	60W

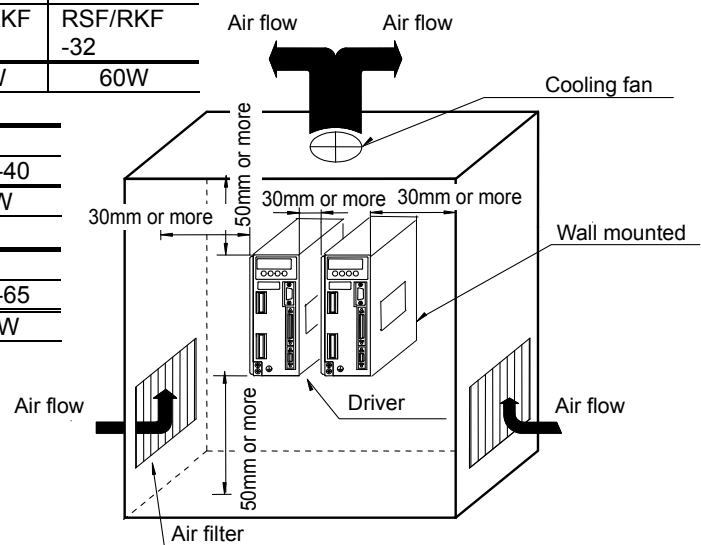
SHA series (200V)

Driver	HA-800A-3	HA-800A-6	
Actuator	SHA-25	SHA-32	SHA-40
Power loss	35W	60W	60W

Driver	HA-800A-24		
Actuator	SHA-40	SHA-58	SHA-65
Power loss	130W	130W	130W

SHA series (100V)

Driver	HA-800A-6
Actuator	SHA-25
Power loss	40W



## Installation procedure

[HA-800A-1, HA-800A-3, HA-800A-6]

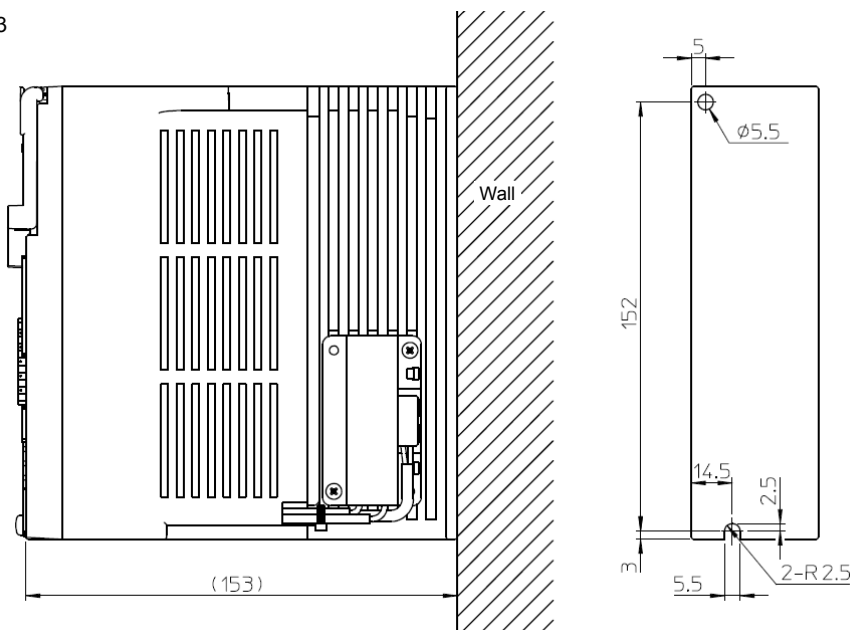
Install the driver using 2 mounting holes provided at the back. The wall on which to install the driver should be made of an iron sheet of 2mm or more in thickness.

2

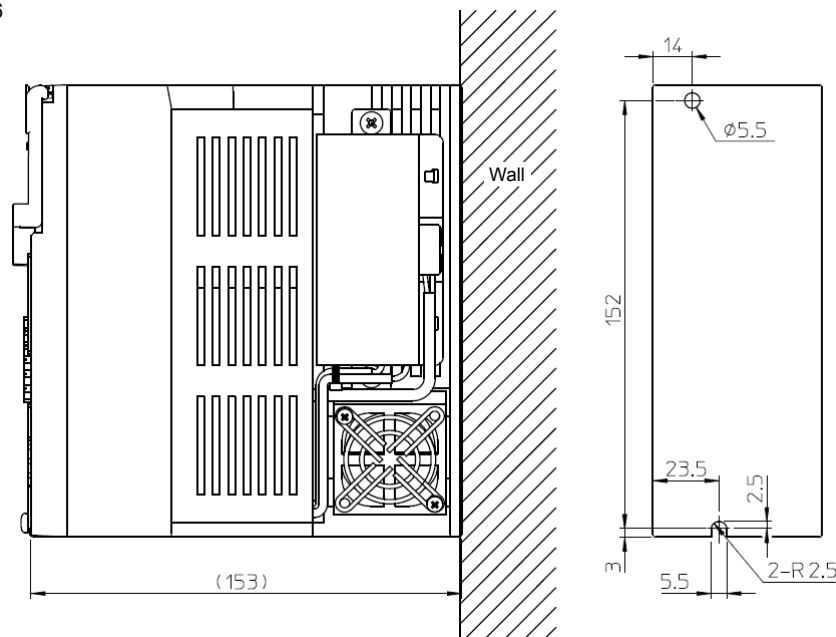
Installation/wiring

- 1 Screw a M4 screw into the middle of the tapped hole provided at the bottom of the mounting surface.
- 2 Hook the mounting hole (cut hole) provided at the bottom of the driver onto the M4 screw installed in 1.
- 3 Securely tighten a M4 screw through the mounting hole at the top of the driver and hole in the mounting surface.
- 4 Securely tighten the M4 screw at the bottom.

HA-800A-1/3



HA-800A-6



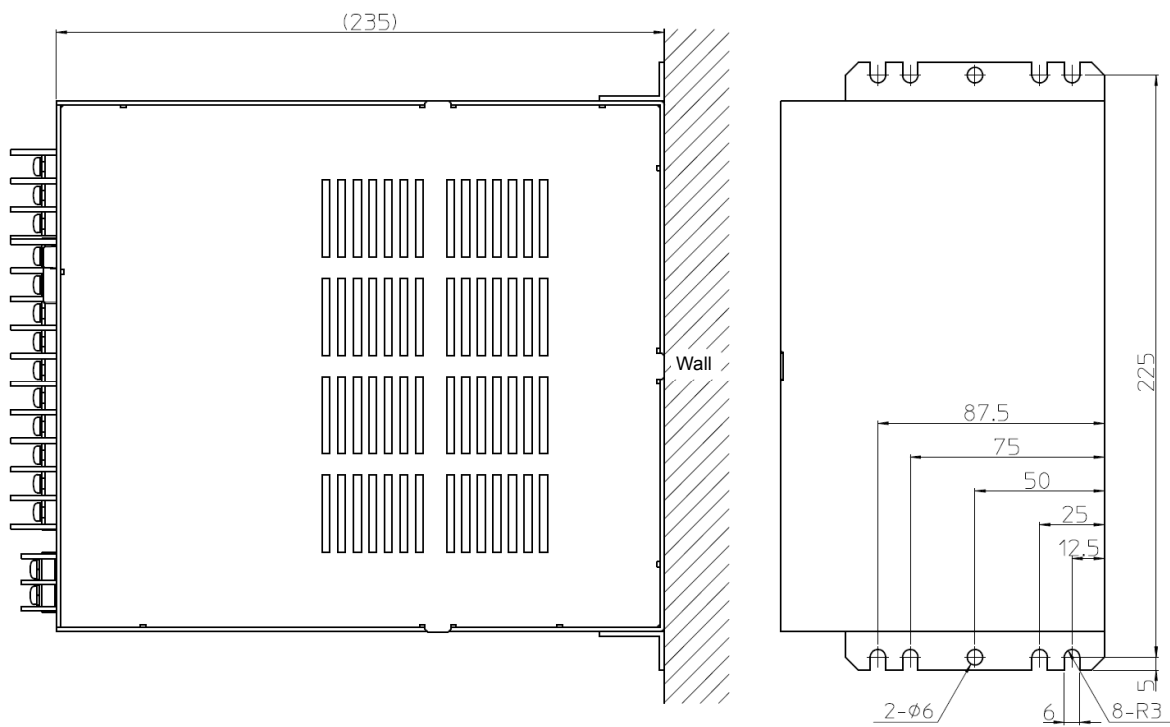


**[HA-800A-24]**

An iron sheet of 5 mm or more in thickness is recommended for the wall on which to install the driver.


- 1** Screw an M5 screw into the middle of the mounting hole (U-shaped) provided at the bottom of the driver.
- 2** Securely tighten an M5 screw through the mounting hole (U-shaped) at the top of the driver.
- 3** Securely tighten the screw at the bottom of the driver as well.  
Confirm that all the 8 screws are securely tightened.

HA-800A-24




## 2-3 Connecting power cables

The following explains how to connect the power supply to this driver.



**WARNING**

Before connecting the power cable to the HA-800A driver, completely unplug the power cable from the main power supply. Failure to do so may result in electric shock during the connection work.



**CAUTION**

- (1) Connect the power cable to the HA-800A driver after installing the driver on the specified wall.
- (2) Ground the HA-800A driver to avoid electric shock, malfunctions caused by external noise, and for the suppression of radio noise emissions.

### Allowable cable sizes

The table below lists the minimum allowable wire sizes of power cables, ground cables and other cables. We recommend the thickest wires possible.

When bundling wires or placing them into ducts, rigid plastic conduits or metal pipes, use wires of the next larger size.

It is recommended to use HIV (special heat-resistant vinyl wires).

**[3-phase 200V input]**

Driver		Min. allowable wire size (mm <sup>2</sup> )							
		HA-800A-1		HA-800A-3		HA-800A-6		HA-800A-24	
Combined actuator Combined motor		FHA-8C FHA-11C FHA-14C	FHA-17C FHA-25C	SHA25 MAB09	FHA-32C FHA-40C	SHA32 SHA40 MAB12 MAB15	SHA40 MAB15	SHA58 SHA65	MAA21
Main circuit power	R,S,T	0.75	1.25		2.0	2.0	3.5	3.5	5.5
Control circuit power	r, s	0.75	1.25		1.25		1.25		
Motor cables <sup>*1</sup>	U,V,W,E	0.5    0.725	0.75	1.25	2.0 (1.25) <sup>*2</sup>		2.0 (1.25) <sup>*2</sup>	5.5 (3.5) <sup>*3</sup>	
Ground (FG) wire	Ground mark	3.5		3.5		3.5		3.5	5.5
Regenerative resistor	R1,R2	1.25		1.25		1.25		3.5	
Encoder cable	CN1	Twisted pair shield cable of 0.3mm <sup>2</sup> or larger <sup>*1</sup>							
Control signal wire	CN2	Twisted pair wire or twisted pair whole-shield cable (AWG24, 0.2 mm <sup>2</sup> )							

\*1: We provide extension cables (3m/5m/10m) for motor cables (including brake cables) and encoder cables. For the combinations of HA-800A drivers, actuators and extension cables, refer to [Actuator and extension cable combinations] (P1-6).

\*2: 1.25 mm<sup>2</sup> is used in case of 105°C heat-resistant wires. If you use HIV cables, 2 mm<sup>2</sup> or thicker cables are recommended.

\*3: 3.5 mm<sup>2</sup> is used in case of 105°C heat-resistant wires. If you use HIV cables, 5.5 mm<sup>2</sup> or thicker cables are recommended.

[single-phase 100V input]

Driver		Min. allowable wire size (mm <sup>2</sup> )				
		HA-800A-1		HA-800A-3	HA-800A-6	
Combined actuator Combined motor		FHA-8C FHA-11C FHA-14C		FHA-17C	FHA-25C FHA-32C	SHA25 MAB09
Main circuit power	R,S,T	0.75		1.25	2.0	2.0
Control circuit power	r, s	0.75		1.25	1.25	
Motor cables <sup>*1</sup>	U,V,W, E	0.5	0.725	0.75	2.0 (1.25) <sup>*2</sup>	
Ground (FG) wire	Ground mark	3.5		3.5	3.5	
Regenerative resistor	R1,R2	1.25		1.25	1.25	
Encoder cable	CN1	Twisted pair shield cable of 0.3mm <sup>2</sup> or larger <sup>*1</sup>				
Control signal wire	CN2	Twisted pair wire or twisted pair whole-shield cable (AWG24, 0.2 mm <sup>2</sup> )				

\*1: We provide extension cables (3m/5m/10m) for motor cables (including brake cables) and encoder cables. For the combinations of HA-800A drivers, actuators and extension cables, refer to [Actuator and extension cable combinations] (P1-6).

\*2: 1.25 mm<sup>2</sup> is used in case of 105°C heat-resistant wires. If you use HIV cables, 2 mm<sup>2</sup> or thicker cables are recommended.

## Connecting power cables

The following terminal block for power connection is provided on the display panel on the front face of this driver. Connect the power source cables to the respective terminals as shown below. If a 3-phase power supply is used, its phases can be arranged in any order.

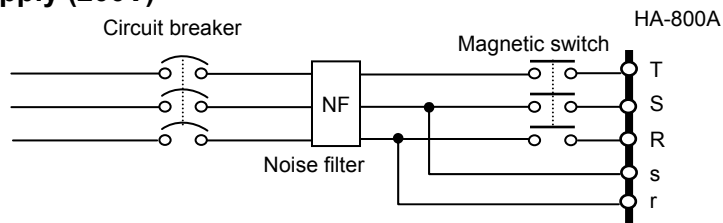
Terminal block for power connection (for TB2)

<b>Manufacturer</b>	Phoenix Contact
<b>Model</b>	FKC2,5/5-ST-5.08

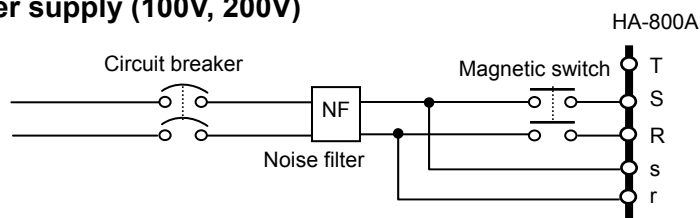


### HA-800-1/3/6

● 3-phase power supply (200V)

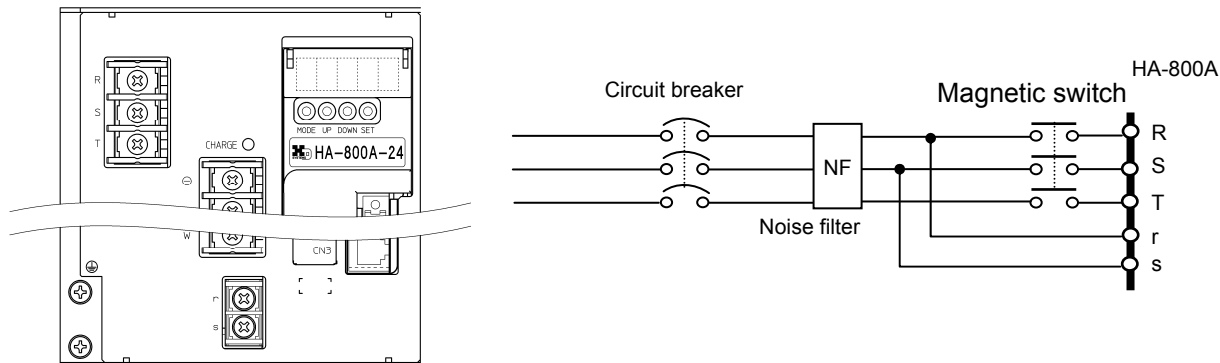


● Single-phase power supply (100V, 200V)



**HA-800-24**

- 3-phase power supply (200V)

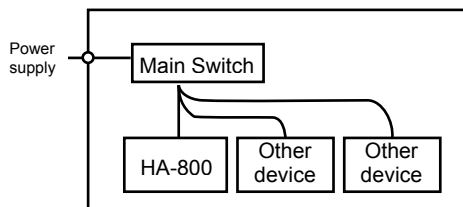


Terminal block for power connection

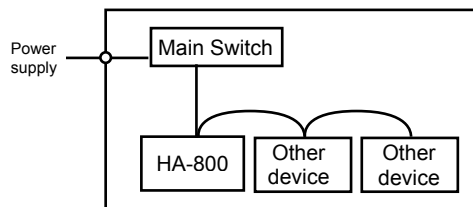
Terminal name	Screw size	Crimp terminal external diameter	Reference
R,S,T,	M4	φ 8mm	Round crimp terminal (R-type) 3.5-R4 (J.S.T. Mfg. Co., Ltd) 5.5-4NS (J.S.T. Mfg. Co., Ltd)
r,s	M4	φ 8mm	Round crimp terminal (R-type) R1.25-4 (J.S.T. Mfg. Co., Ltd)

**Caution**

- The power-receiving part of the driver adopts a surge-current-suppress-circuit. Although this circuit prevents extreme voltage drops when the power is input, avoid daisy-chain wiring between the power supply and devices and wire each device separately from the main power supply switch.



Good wiring example



Bad wiring example

## Protecting power lines

Be sure to use a circuit breaker (MCB) in the power line to protect the power line.  
Select an appropriate circuit breaker from the table below.

Input voltage	200V	200V	200V	200V	100V	200V	200V	200V		
Driver model	HA-800* -1-200	HA-800* -1-200	HA-800* -3-200	HA-800* -3-200	HA-800* -6-100	HA-800* -6-200	HA-800* -6-200	HA-800*-24-200		
Actuator motor	FHA-8C FHA-11 C	FHA-14C	FHA-17C RSF-17	SHA25 FHA-25C RSF-20 RSF-25 RKF-20 RKF-25 MAB09	SHA25	SHA32 FHA-32C RSF-32 RKF-32 MAB12	SHA40 FHA-40C MAB15	SHA40 MAB15	SHA58 SHA65	MAA2 1
Interrupting current (A) capacity of circuit breaker (MCB)	3	5		10	15		20	30		
Required power capacity per driver (kVA) <sup>*1</sup>	0.15	0.25	0.4	0.8	0.8	1.5	1.8	2.5	3.5	5.5
Surge-current upon main circuit power ON (A) <sup>*2</sup>	15	15	15	15	15	15	15	15	15	15

\*1: The values are for allowable continuous output of the actuator.

\*2: The values are quoted at ambient temperature of 25°C.

The above values are based on the standard input voltage (AC200V, AC100V).

The circuit breaker cutoff capacity is a recommended value for 3-phase AC200V input or single-phase AC100V input.

## Connecting a ground wire

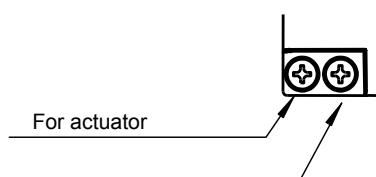
Use a ground wire of an appropriate size selected from the table below, or larger.

Cable	Symbol	Min. allowable wire size (mm <sup>2</sup> )			
		HA-800A-1	HA-800A-3	HA-800A-6	HA-800A-24
Ground (FG) wire	Ground mark	3.5	3.5	3.5	3.5, 5.5

The HA-800A driver has 2 types of ground terminals, as shown below.

Make sure to use wire sizes in the table above or larger for the ground terminals and connect it using a round crimp terminal.

Make sure to connect a single wire to a single ground terminal.



## Power ON and OFF sequences

Provide a sequence circuit that cuts off the main circuit power ON/OFF switch in response to an emergency stop signal, etc. If an alarm signal has been assigned to an output signal, also provide a sequence circuit that cuts off the main circuit power ON/OFF switch in response to the alarm output.

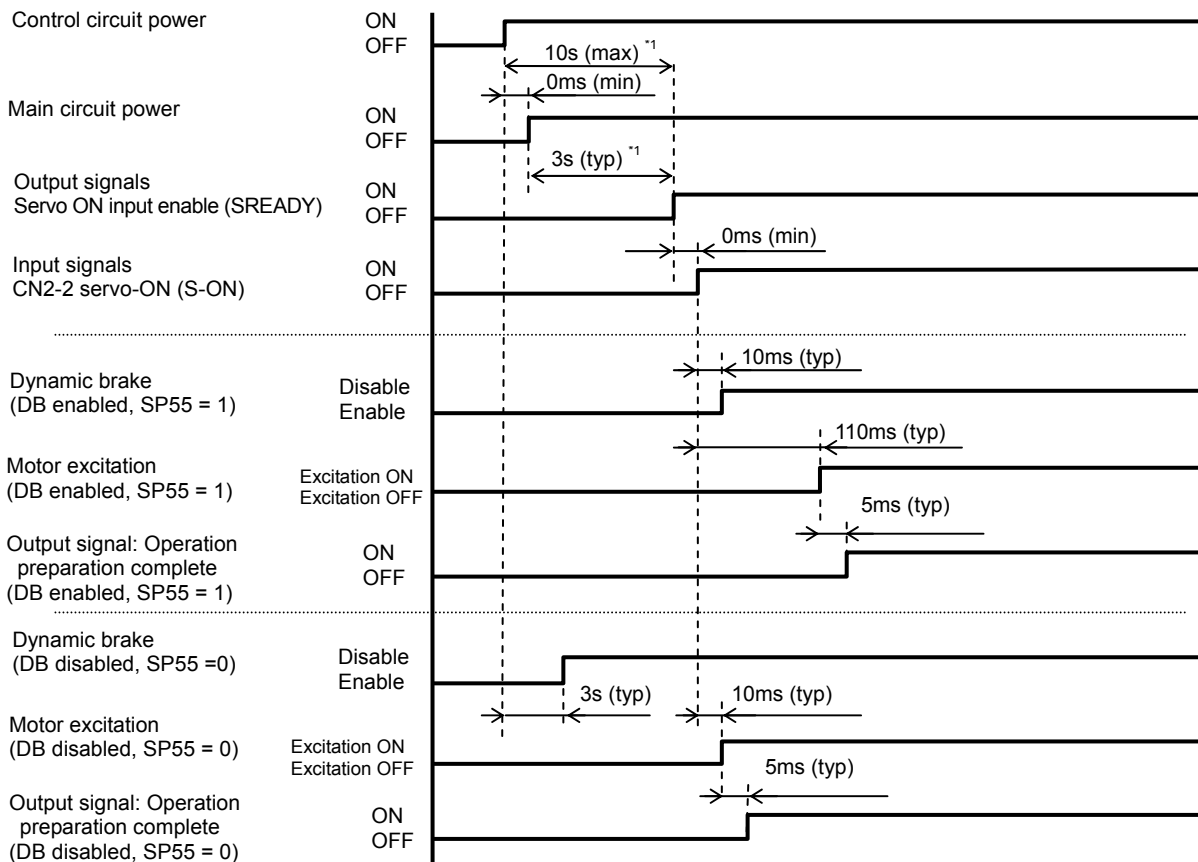
### Caution

- Turn ON/OFF the power after switching the [CN2-2 servo-ON: S-ON] signal of the HA-800A driver to OFF.
- If the power is turned ON/OFF too frequently, the surge-current limiting resistor in the internal circuit may deteriorate.  
The power ON/OFF frequency should not exceed 5 times in an hour and 30 times in a day. Furthermore, the interval between turning OFF and ON the power should keep more than 30 seconds.

### Power ON sequence, servo-ON sequence (HA-800A-1, -3, -6)

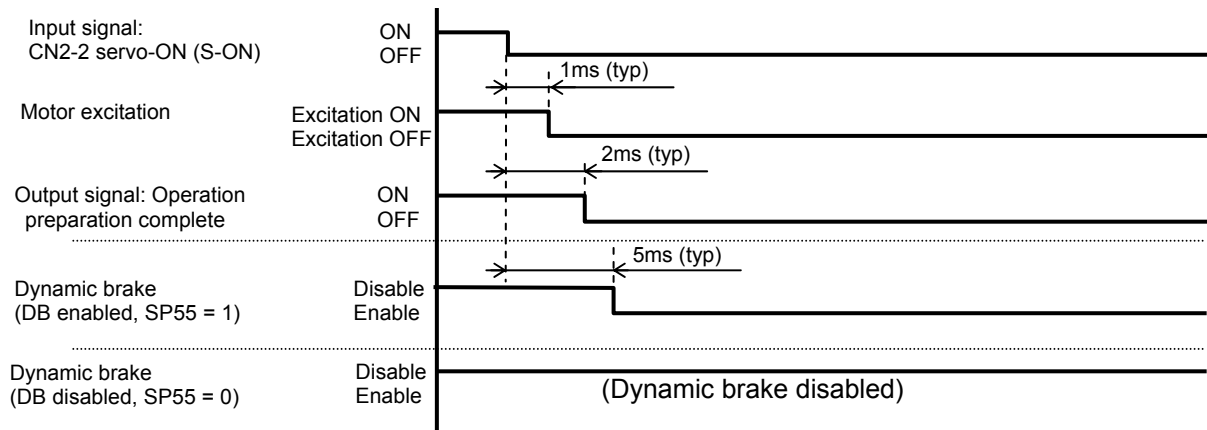
Create a sequence program for the host device so that the power to this driver will be turned ON at the timings shown below. The chart below shows a power ON sequence based on a 17-bit absolute encoder system.

I/O outputs and monitor output remain indeterminable for approximately 10 seconds after turning the control power supply ON.

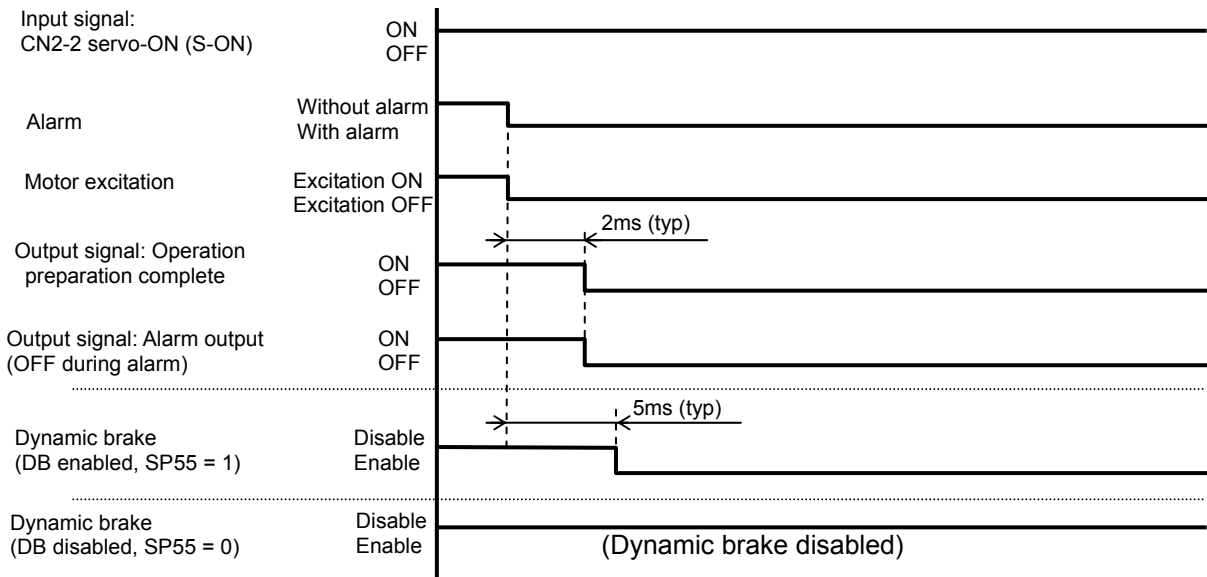


\*1: This value is for when the control circuit power and main circuit power are turned ON simultaneously. If the main circuit power is turned ON 7 seconds or more after the control circuit power, the servo ON enable signal will be output after approximately 3 seconds, provided that the capacitor in the main circuit power has been discharged fully.

**Servo-OFF sequence (HA-800A-1, -3, -6)**

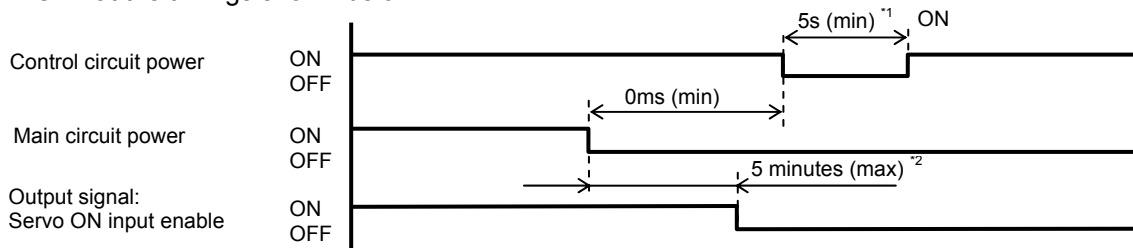


**Sequence when an alarm generates (HA-800A-1, -3, -6)**



### Power OFF sequence (HA-800A-1, -3, -6)

Create a sequence program for the host device so that the power to this driver will be turned OFF at the timings shown below.

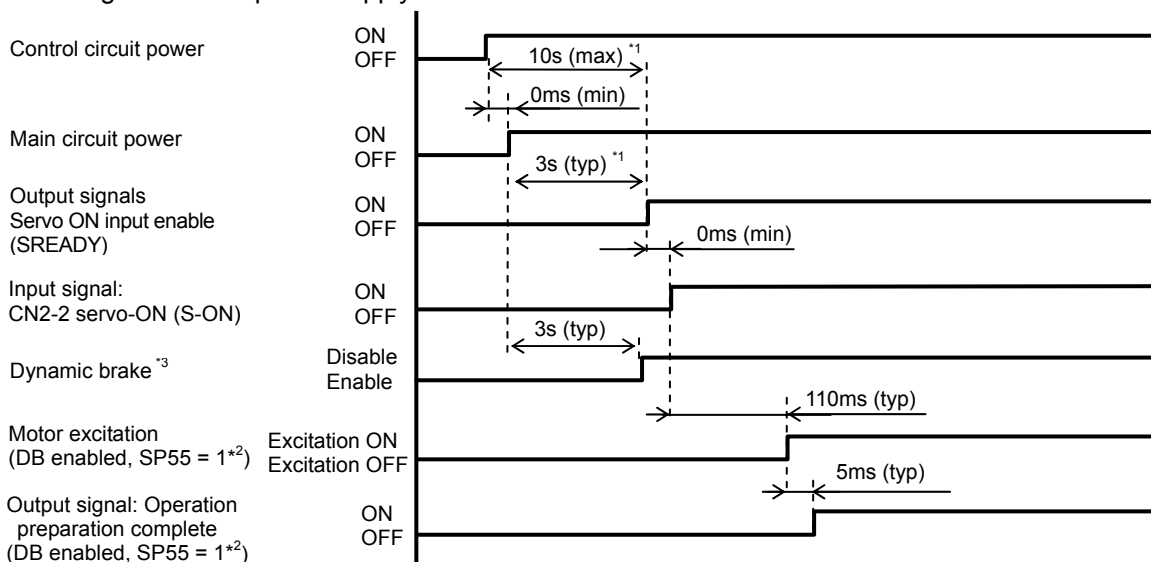


- \*1: After turning OFF the control circuit power, wait for at least 5 seconds before turning it ON.
- \*2: If the main circuit power is turned OFF while [CN2-2 servo-ON (S-ON)] is OFF (servo OFF), it may take up to 5 minutes or so before the servo ON input enable signal (SREADY) turns OFF (main circuit DC voltage drop).  
 If the main circuit power is turned OFF while servo-ON (during motor excitation), the motor excitation is continued until the servo ON input enable signal (SREADY) turns OFF (main circuit DC voltage drop).  
 If the main circuit DC voltage does not drop due to regeneration operation, etc., it takes long until the motor excitation turns OFF.  
 Turn the servo OFF first and then cut the main circuit power OFF, except when alarms are being generated.  
 If the main circuit power and control circuit power are turned OFF simultaneously, the motor excitation turns OFF in several 10 to 100ms (the time varies depending on the input voltage).  
 At this point, the servo ON input enable signal (SREADY) also turns OFF, but the capacitor for the main circuit power is still charged and therefore do not touch the power terminals until the main circuit charge monitor LED on the front panel turns OFF (approximately 15 minutes).

### Power ON, servo-ON sequence (HA-800A-24)

Create a sequence program for the host device so that the power to this driver will be turned ON at the timings shown below.

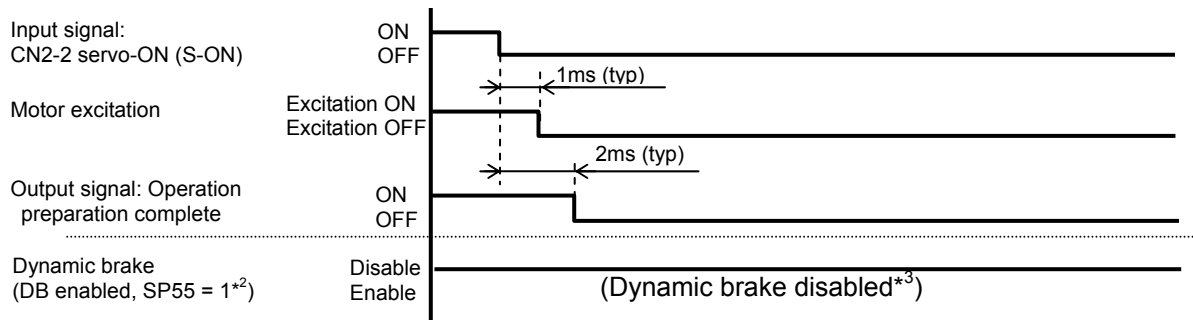
The chart below shows a power ON sequence based on a 17-bit absolute encoder system. I/O outputs and monitor output remain indeterminable for approximately 10 seconds after turning the control power supply ON.



- \*1: This value is for when the control circuit power and main circuit power are turned ON simultaneously. If the main circuit power is turned ON 7 seconds or more after the control circuit power, the servo ON enable signal will be output after approximately 3 seconds, provided that the capacitor in the main circuit power has been discharged fully.
- \*2: Make sure to use HA-800A-24 by setting [SP55 DB enable/disable setting] to 1 (default setting).
- \*3: The dynamic brake operates interlinked to the main circuit power.



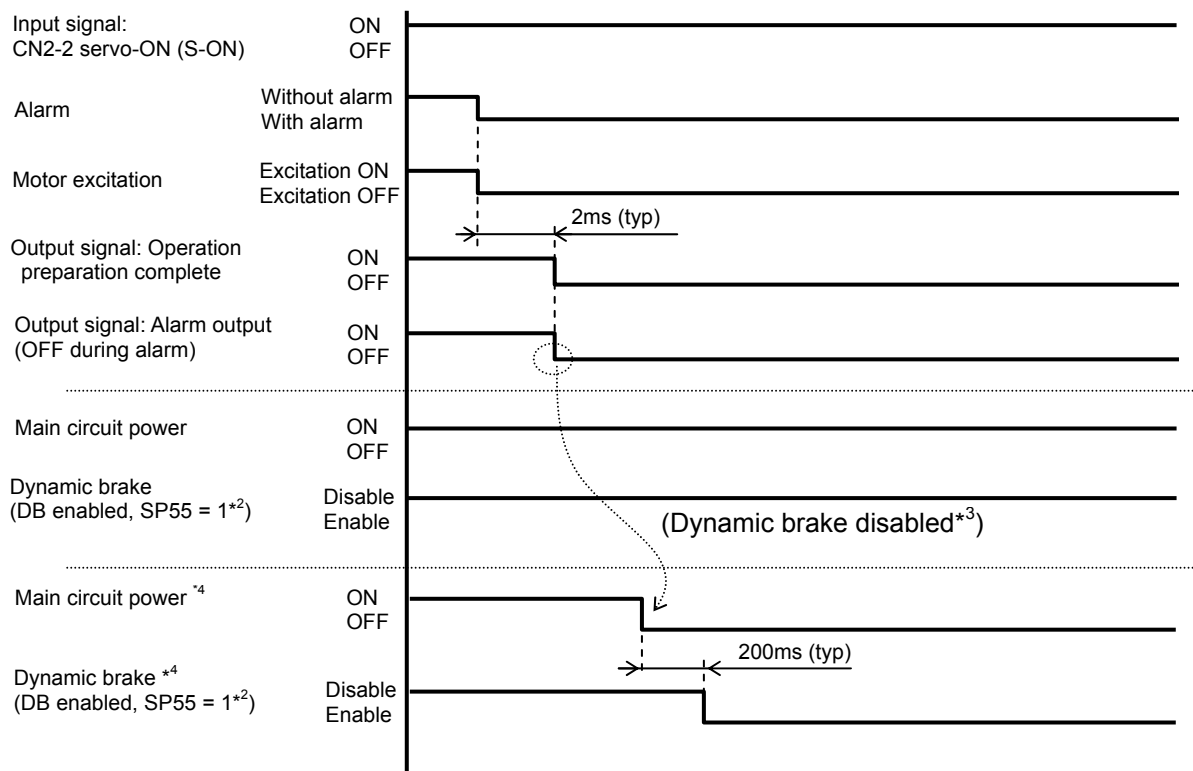
### Servo-OFF sequence (HA-800A-24)



\*2: Make sure to use HA-800A-24 by setting [SP55 DB enable/disable setting] to 1 (default setting).

\*3: The dynamic brake operates interlinked to the main circuit power.

### Sequence when an alarm generates (HA-800A-24)



\*2: Make sure to use HA-800A-24 by setting [SP55 DB enable/disable setting] to 1 (default setting).

\*3: The dynamic brake operates interlinked to the main circuit power.

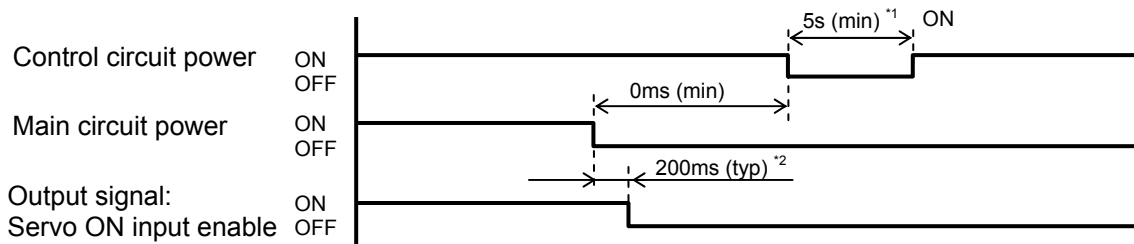
\*4: It is possible to use the dynamic brake by using output signal alarm output to cut off the main circuit power of the driver.

By cutting off the driver's main circuit power, the main circuit discharge function is enabled, which lowers the main circuit DC voltage and activates the dynamic brake.

However, if regenerative resistances such as regenerative overheat alarm (AL41) and overregeneration alarm (AL42) are under high load, the discharge function may not operate and the dynamic brake thus may not be activated.

### Power OFF sequence (HA-800A-24)

Create a sequence program for the host device so that the power to this driver will be turned OFF at the timings shown below.



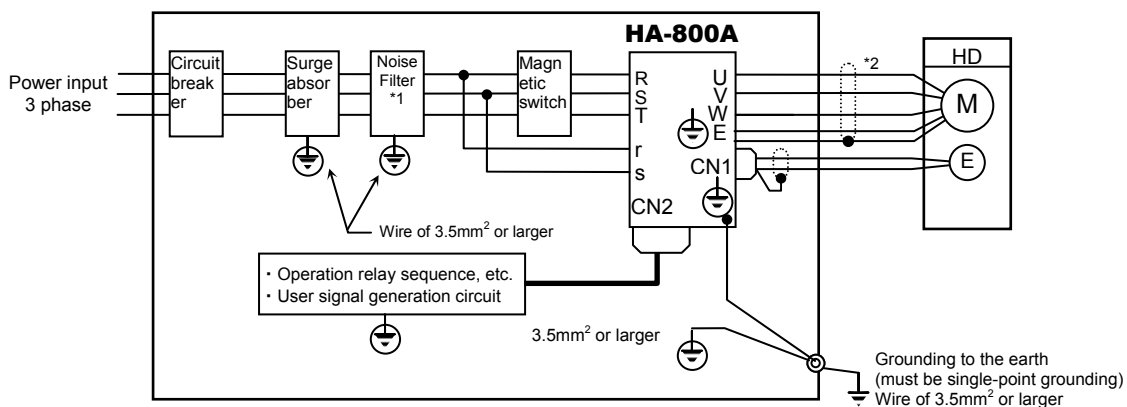
- \*1: After turning OFF the control circuit power, wait for at least 5 seconds before turning it ON.
- \*2: If you turn the main circuit power OFF, the servo ON input enable signal (SREADY) turns OFF in approximately 0.2 seconds due to the main circuit discharge function.  
 However, if regenerative resistance such as regenerative resistor overheat alarm (AL41) and overregeneration alarm (AL42) are under high load, the discharge function may not operate and it takes approximately 10 minutes to discharge.  
 If the main circuit power is turned OFF while servo-ON (during motor excitation), the motor excitation is continued until the servo ON input enable signal (SREADY) turns OFF (main circuit DC voltage drop).  
 If the main circuit DC voltage does not drop due to regeneration operation, etc., it takes long until the motor excitation turns OFF.  
 Turn the servo OFF first and then cut the main circuit power OFF, except when alarms are being generated.  
 If the main circuit power and control circuit power are turned OFF simultaneously, the motor excitation turns OFF in several 10 to 100ms (the time varies depending on the input voltage).  
 At this point, the servo ON input enable signal (SREADY) also turns OFF, but the capacitor for the main circuit power is still charged and therefore do not touch the power terminals until the main circuit charge monitor LED on the front panel turns OFF (approximately 15 minutes).

## 2-4 Suppressing noise

The main circuit of this driver uses a power element (IPM) based on PWM control. Switching noise generates due to sudden changes in current/voltage that occur when this element is switched. If wiring and grounding are inappropriate, other external devices may malfunction or radio noise may generate. This driver also has a CPU and other built-in electronic circuits. Accordingly, provide appropriate wiring and other measures to minimize malfunctions caused by external noise. To prevent troubles caused by external noise, be sure to provide wiring and grounding as follows.

### Grounding

Refer to the figure below when grounding all devices comprising the system.



\*1: For information on grounding line filters, refer to [Installing noise filters] P2-15.

\*2: FHA-17C to 40C actuators come with a shield connected to the body.

### Grounding motor frame

When the actuator is grounded on the driven machine side through the frame, current flows through the floating capacity (Cf) of the motor from the power circuit of the driver. To avoid negative influence of the current, always connect the ground terminal (motor frame) of the actuator to the ground terminal of the driver, and connect the ground terminal of the driver directly to ground.

### Grounding ducts

When the motor cables are housed in a metal conduit or a metal box, be sure to ground their metal parts.

Always connect the ground at a single point.

## Installing noise filters

Use of noise filters is recommended to prevent malfunctions caused by impulse noise that may enter from the power line and also to prevent noise generating inside the driver from emitting to the power line.

When multiple drivers are used, install noise filters for each driver.

Select bi-directional noise filters that can suppress both external noise and internal noise.

Recommended noise filters are shown below.

Model	Specifications	Manufacturer
RF3020-DLC	Rated voltage: Line-Line 440 to 550V, rated current: 20 A	RASMI ELECTONICS LTD
RF3030-DLC	Rated voltage: Line-Line 440 to 550V, rated current: 30 A	
RF3040-DLC	Rated voltage: Line-Line 440 to 550V, rated current: 40 A	
HF3010A-UN	Rated voltage: 250VAC, rated current: 10A	Soshin Electric Co., Ltd.
HF3030A-UN	Rated voltage: 250VAC, rated current: 30A	
HF3040A-UN	Rated voltage: 250VAC, rated current: 40A	

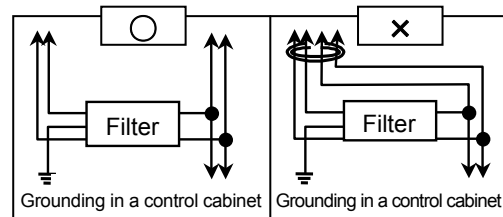
EMC Directive conformance check tests are conducted by connecting the noise filter and toroidal core in the table above to the driver power input area.

For the measure to comply with EC Directives, refer to "Conformance to European EC Directives" on P15.

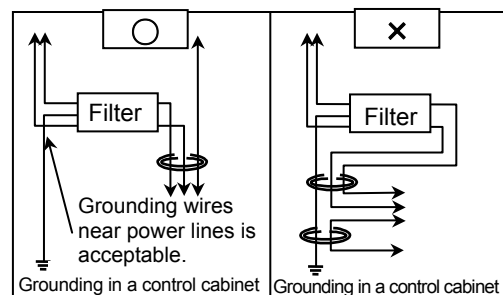
**Caution**

- Install the noise filters and this driver as close as possible with one another.
- Also install noise filters to the power source cables of electric devices other than this driver in the same manner.  
In particular, always install noise filters to sources of high-frequency, such as electric welders and electrical-discharge processing machines.
- Incorrect use of noise filters can seriously reduce its effectiveness. Install noise filters by referring to the cautionary information provided below.

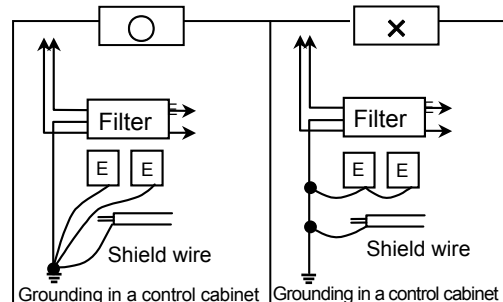
- Separate the filtered wires and unfiltered wires from each other. Do not place them in the same pipe or duct, or bundle them together.



- Do not place the ground wire and filtered wires in the same pipe or duct, or bundle them together.



- Do not daisy-chain ground wires, but connect one ground wire separately to each device or to a single point on the control cabinet or ground plate.



- Be sure to install surge protector devices to coils of magnetic relays, magnetic switches (contactors), solenoids, etc.
- Do not open the end of analog input signal cables such as speed signal cables.
- Since this driver is designed for industrial use, it incorporates no measures to prevent radio interference.

If the driver is used in the following environments, connect line filters to the input side of the power source cable:

- Used near houses
- Where radio interference may present problems

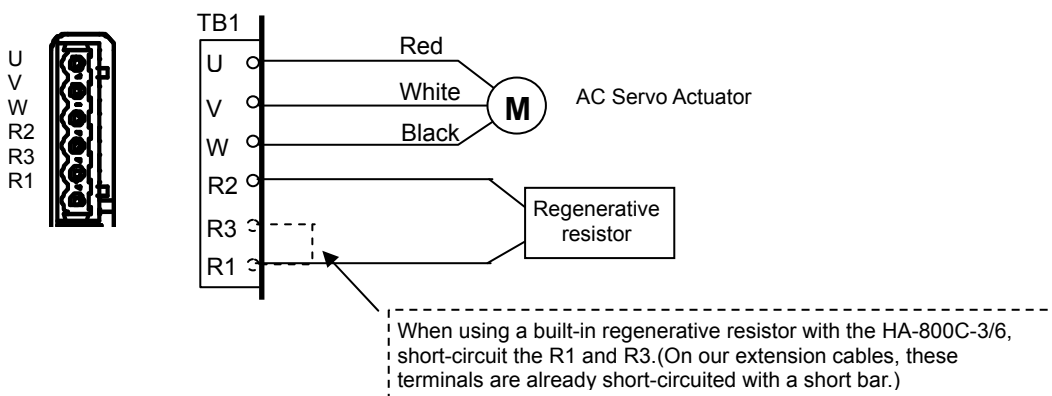
# 2-5 Wiring the driver and motor

The following explains how to wire this driver and motor.

## Connecting the motor

Connect the motor by connecting the U, V and W terminals of the TB1 connector, as shown below. Refer to the actuator manual to check the phase order of motor cable wires beforehand, and connect each pair of terminals that have the same symbol. Take note that if the phase order is wrong or any of the phases is missing, alarms, etc., will not generate.

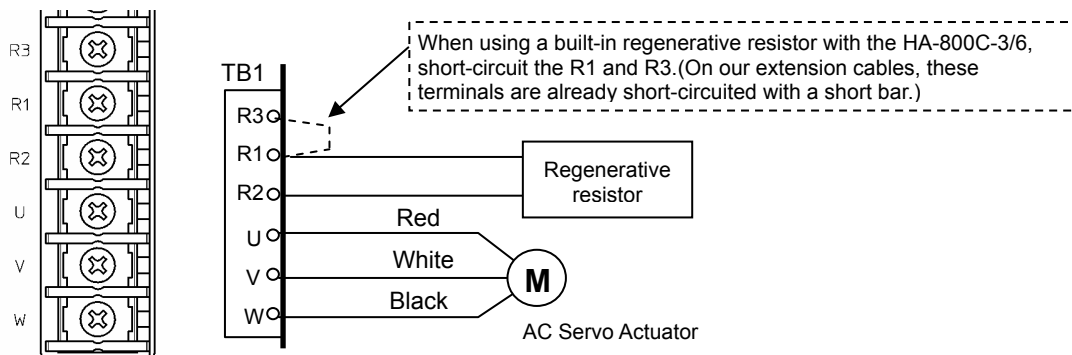
### [HA-800A-1/-3/-6]



Terminal block for motor connection (for TB1)


<b>Manufacturer</b>	Phoenix Contact
<b>Model</b>	FKIC2.5/6-ST-5.08

### [HA-800A-24]



Terminal block for motor connection

Screw size	Crimp terminal outer diameter	Reference
M4	φ 8mm	Round crimp terminal (R-type) 3.5-R4 (J.S.T. Mfg. Co., Ltd) 5.5-4NS (J.S.T. Mfg. Co., Ltd)



**WARNING**

If the phase order of the motor cable is wrong or any wire is disconnected or connected during operation, an uncontrollable operation may result.

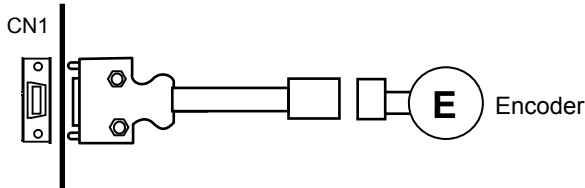
## Connecting the encoder

To connect the encoder, connect the CN1 connector, as shown below.

For the encoder signal wire, use a twisted pair shield cable with a wire size of 0.3mm<sup>2</sup> or larger and having the necessary number of cores.

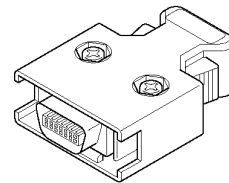
Shorten the wiring length as much as possible.

- If provided by the customer  
Wiring length: 10m or less    Wire conductivity: 0.04Ω/m or less
- We have optional cables of 3m/5m/10m long.



Encoder connector (CN1)

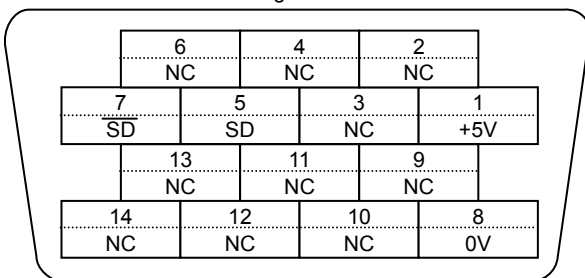
	Connector	Cover
<b>Manufacturer</b>	3M	3M
<b>Model</b>	10114-3000PE	10314-52F0-008



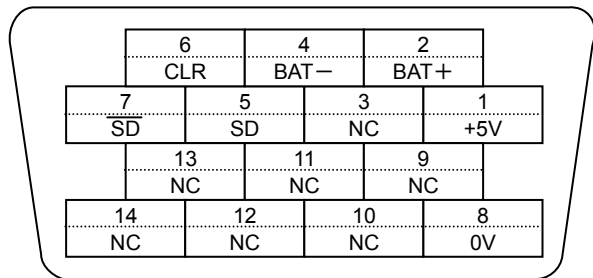
### Pin layout of encoder connector (CN1)

The pin layout shown below is viewed from the soldered side.

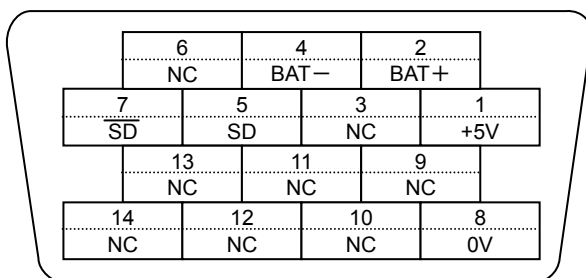
4-wire wire-saving incremental encoder



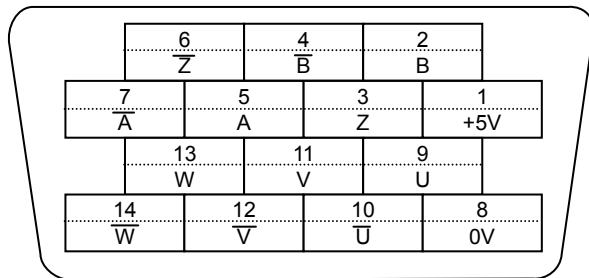
13-bit absolute encoder



17-bit absolute encoder



14-wire incremental encoder



### Caution

- Do not connect NC terminals. If NC terminals are connected by mistake, malfunctions may result.

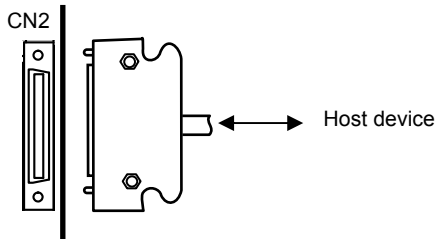
## 2-6 Wiring the host device

The following explains wiring of this driver and host device.

### Connecting the host device

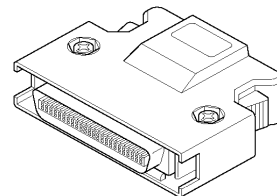
To connect the host device, connect the CN2 connector, as shown below.

For the I/O signal cable, use a twisted pair shield cable or twisted pair whole-shield cable with a wire size of 0.35mm<sup>2</sup> or more and having the necessary number of cores.



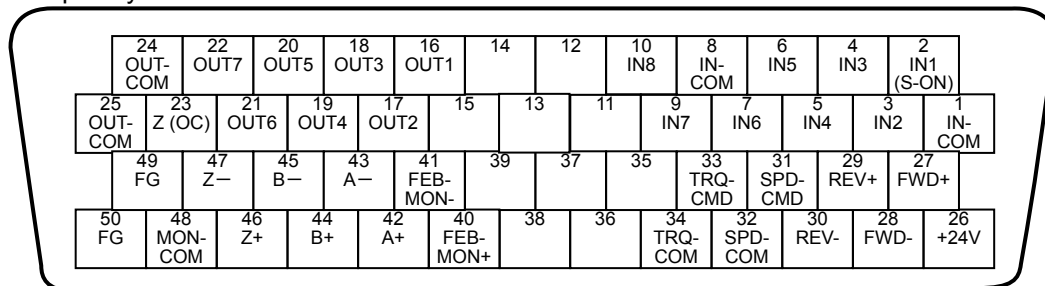
I/O signal connector (CN2)

	Connector	Cover
Manufacturer	3M	3M
Model	10150-3000PE	10350-52F0-008



### Pin layout of I/O signal connector (CN2)

The pin layout shown below is viewed from the soldered side.



Assign functions to input signals (IN1 to IN8) and output signals (OUT1 to OUT7) using system parameters for input/output signals. Refer to [Chapter 5 I/O signals] for the functions that are assigned by default.

### Caution

- Keep the I/O signal cable to 3m or shorter.
- Separate power cables (power source cables and motor wires and other circuits subject to strong electric power) and I/O signal cables by more than 30cm. Do not encase them in the same pipe or duct, nor bundle them together.
- Do not open the end of cables for analog input signals, such as speed signals.



## Connecting the personal computer

To connect to the personal computer, use dedicated communication cable or refer to the following pin layout.

Dedicated communication cable: EWA-RS03 (option)  
Cable length: 1.6m

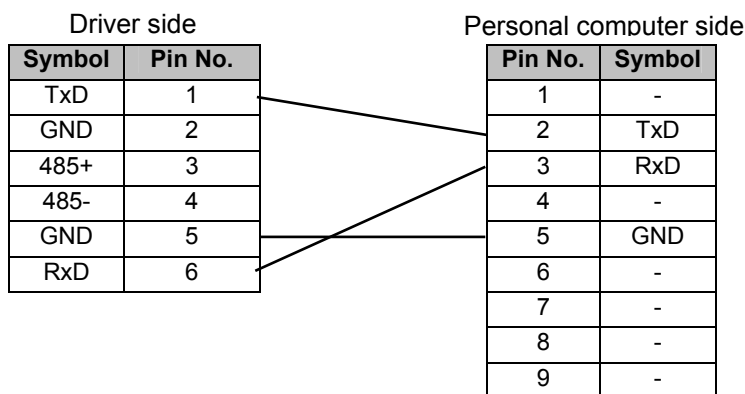
PSF-800 communication connector (CN3)

Connector	
<b>Manufacturer</b>	Hirose Electric Co., Ltd.
<b>Model</b>	TM11P-66P(53)

Connector on the personal computer side (D-sub 9-pin female)

	Socket	Hood	Jack screw
<b>Manufacturer</b>	OMRON Corporation	OMRON Corporation	OMRON Corporation
<b>Model</b>	XM2D-0901	XM2S-0913	XM2Z-0073

### Pin layout of PSF-800 communication connector (CN3)



The host and the first axis communicate via RS-232C.

The second and subsequent axes perform RS-485 communication.

Prepare commercially available Sanwa Supply TEL-FC-5, etc. for RS-485 communication cables.

Prepare RS Online model No. 186-3082, etc. for RS-485 communication branch connectors.

### Caution

- Refer to the manual for sequencer when you want to connect with sequencer, etc.

**2**

**Installation/wiring**

# Chapter 3

## Startup

---

Startup procedures to be followed when the driver is used for the first time, from receiving inspection to operation of the actual system, are explained in this chapter.

---

3-1	Startup procedures .....	3-1
3-2	Turning ON the power for the first time .....	3-3
3-3	Operation check with the actuator alone .....	3-9
3-4	Operation check with the actual system .....	3-13
3-5	Manual gain adjustment method .....	3-15
3-6	Normal operation .....	3-20

## 3-1 Startup procedures

The following explains the procedures to start up this driver.



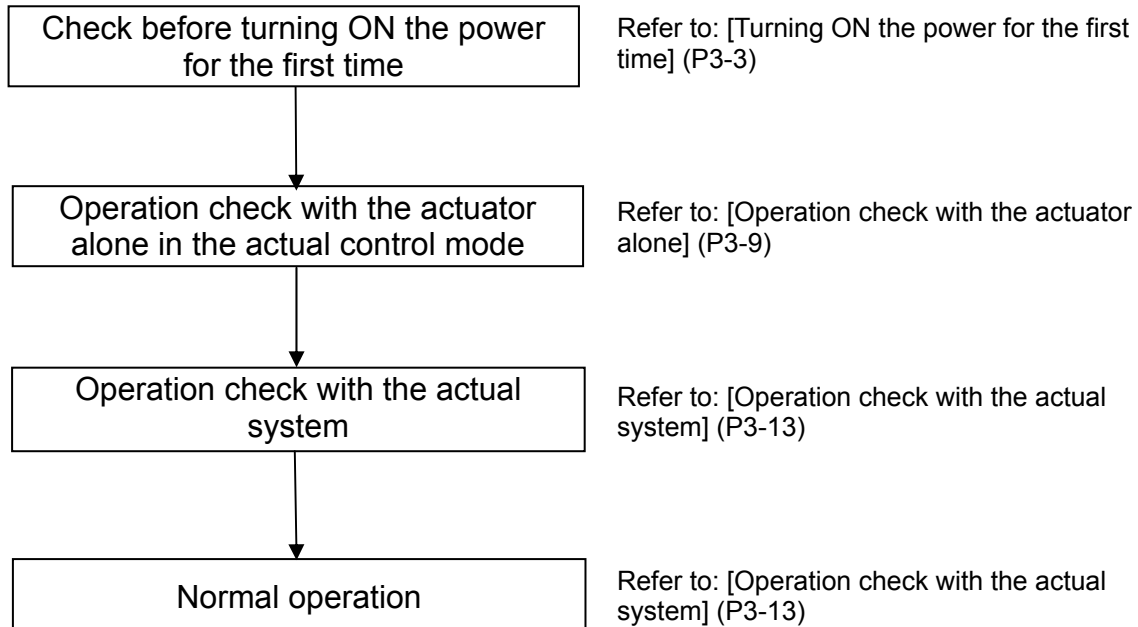
**Shut off the electric power source on the plant side before any wiring works are carried out. Once the electric power on the plant side is supplied to the system, do not perform any wiring works. Electric shock may result.**



- (1) **Check the wirings again and correct the problems, if any, before turning ON the power.**
  - Are all wirings correct?
  - Are there temporarily wired lines?
  - Are there any loose terminal connections?
  - Are the wires grounded properly?
- (2) **Clean around the devices. In particular, thoroughly inspect the interior of the system for wire chips, tools and other objects remaining inside the system.**
- (3) **When 2 or more persons are working together, they should discuss the details of work before turning ON the power and each person should pay attention to the safety of others.**
- (4) **Do not operate the driver by turning ON/OFF the power.**
  - Frequent power ON/OFF operations may cause deterioration of circuit elements inside the driver.
  - Start/stop the actuator using command signals.

## Startup procedures

Key startup procedures are as follows:

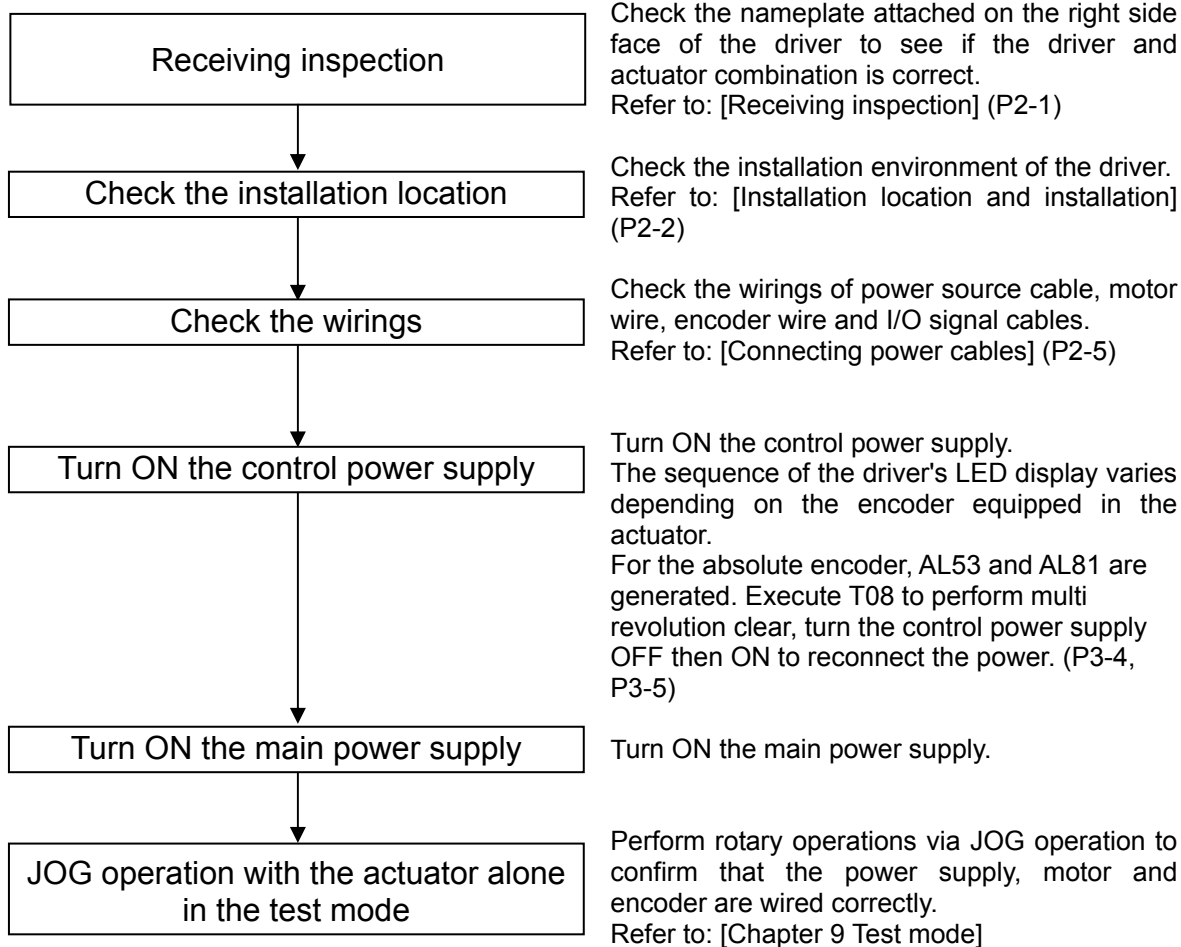


## 3-2 Turning ON the power for the first time

The following explains the startup procedure when turning ON the power for the first time.



- (1) Be sure to perform a trial run before commencing the normal operation.
- (2) In a trial run, separate the actuator from the machine/system and operate the actuator alone (under no load).



**Take note that, in rotary operations via JOG, input signals other than emergency stop operate by ignoring the signal status.**

## Details on control power supply ON

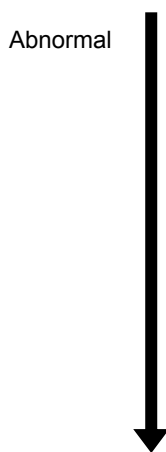
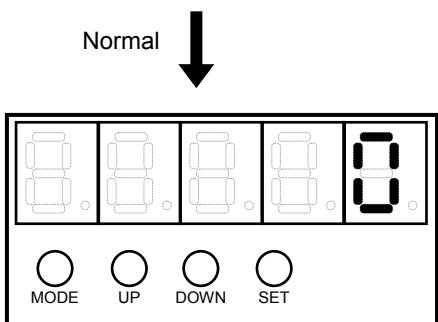
The driver's internal process sequence to be implemented upon power ON varies depending on the connected actuator.

- (1) When a 17-bit absolute encoder (SHA series, FHA-Cmini series) is combined (P3-4)
- (2) When a 13-bit absolute encoder (FHA-C series) is combined (P3-5)
- (3) When a 4-wire incremental encoder (FHA-Cmini series) is combined (P3-6)
- (4) When a 4-wire incremental encoder (FHA-C series) or 14-wire incremental encoder is combined (P3-7)

### (1) When a 17-bit absolute encoder (SHA series, FHA-Cmini series) is combined

#### 1 Turn ON the control circuit power.

Check the driver and actuator combination as well as the input voltage and multi revolution data of the absolute encoder.



#### 2 The system switches to the status display mode.

The default setting is to display the motor rotation speed.

If multiple alarms or warnings have occurred, the applicable alarms/warnings are displayed one by one.

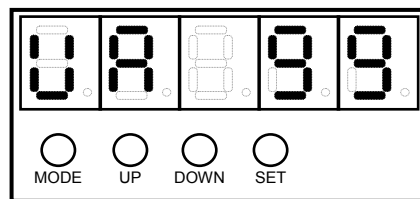
● **If the actuator combination is wrong**

As shown to the right, the warning code [UA 99] is displayed to indicate that the connected actuator is wrong.

**Action to be taken**

The combined actuator is specified on the nameplate attached on the right side face of the driver.

Shut off the control circuit power, and exchange the actuator to the correct one. After connecting the correct actuator, turn ON the power again to confirm that the system starts correctly.



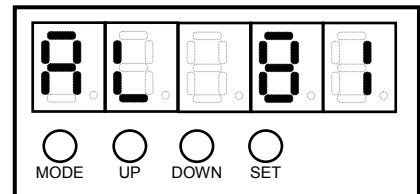
● **Absolute multi revolution data error**

This error occurs when the power is turned ON for the first time or the actuator has been disconnected from the driver for an extended period of time (approximately 30 minutes or more). As shown to the right, the alarm code [AL 81] generates to indicate that the system is down.

**Action to be taken**

Issue a multi revolution clear command. After the multi revolution clear command, reconnect the driver power.

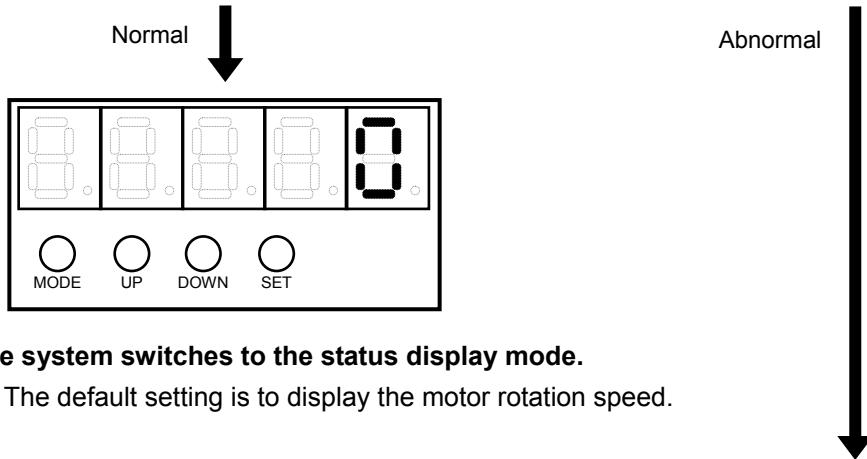
For the method to clear the multi revolution counter, refer to [T08: Multi revolution clear](P9-10).



**(2) When a 13-bit absolute encoder (FHA-C series) is combined**

**1 Turn ON the control circuit power.**

Check the input voltage and multi revolution data of the absolute encoder.



**2 The system switches to the status display mode.**

The default setting is to display the motor rotation speed.

If multiple alarms or warnings have occurred, the applicable alarms/warnings are displayed one by one.

● **Absolute multi revolution data error**

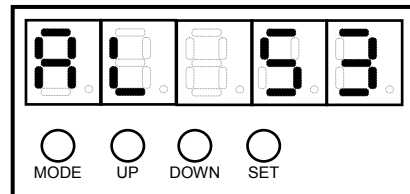
This error occurs when the power is turned ON for the first time or the actuator has been disconnected from the driver for an extended period of time (approximately 30 minutes or more).

As shown to the right, the alarm code [AL 53: System failure] generates.

**Action to be taken**

Issue a multi revolution clear command. After the multi revolution clear command, reconnect the driver power.

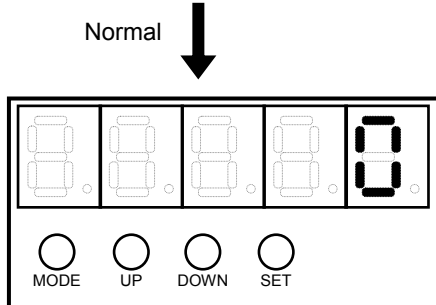
For the method to clear the multi revolution counter, refer to [T08: Multi revolution clear](P9-10).





**(3) When a 4-wire incremental encoder (FHA-Cmini series) is combined****1 Turn ON the control circuit power.**

Check the driver and actuator combination.

**2 The system switches to the status display mode.**

The default setting is to display the motor rotation speed.

If multiple alarms or warnings have occurred, the applicable alarms/warnings are displayed one by one.

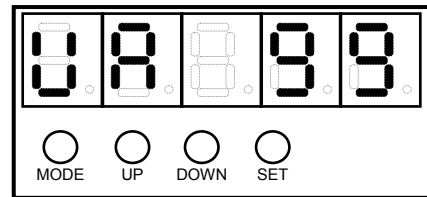
● **If the actuator combination is wrong**

The warning code [UA 99] is displayed to indicate that the connected actuator is wrong.

**Action to be taken**

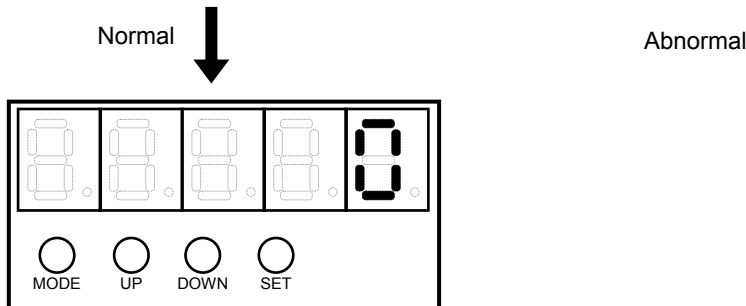
The combined actuator is specified on the nameplate attached on the right side face of the driver.

Shut off the control circuit power, and exchange the actuator to the correct one. After connecting the correct actuator, turn ON the power again to confirm that the system starts correctly.



**(4) When a 4-wire incremental encoder (FHA-C series) or 14-wire incremental encoder is combined**

**1** Turn ON the control circuit power.



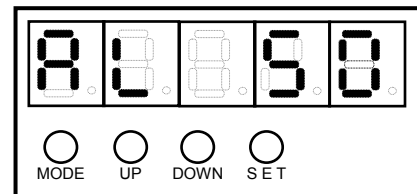
**2** The system switches to the status display mode.

The default setting is to display the motor rotation speed.

If multiple alarms or warnings have occurred, the applicable alarms/warnings are displayed one by one.

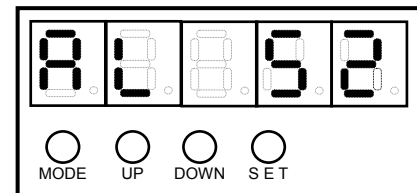
● **Wrong wiring/faulty wiring**

If there are any problems in wiring of phase A, B, and Z signals, phase U, V, and W and/or power supply, the alarm code [AL 50: Encoder disconnection] generates.



● **Wrong wiring/faulty wiring**

If there are any problems in wiring of phase U, V, and W signals and/or power supply of the encoder, the alarm code [AL 52: UVW error] generates.



## Troubleshooting upon power ON

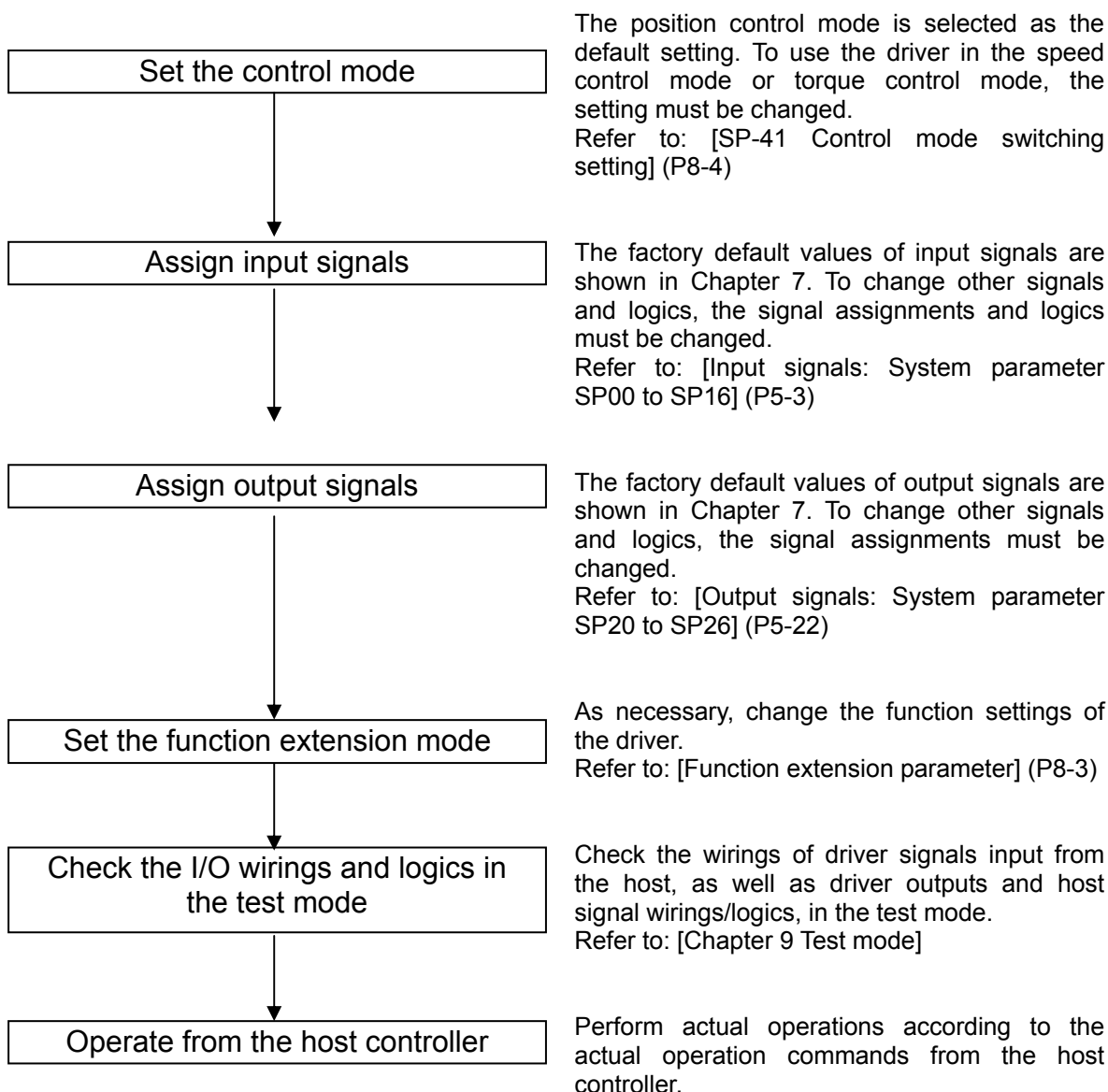
Description of operation	Description of problem	Check item	Estimated cause	Reference
Power ON	The LEDs do not turn ON.	The situation improves when the CN1 connector is unplugged.	<ul style="list-style-type: none"> <li>● Insufficient input voltage or poor power connection</li> <li>● Defective driver</li> </ul>	P2-5 P2-6
		The situation improves when the CN2 connector is unplugged.	<ul style="list-style-type: none"> <li>● Insufficient input voltage or poor power connection</li> <li>● Defective driver</li> </ul>	
		The situation does not improve even after unplugging the CN1 and CN2 connectors and wires.	<ul style="list-style-type: none"> <li>● Insufficient input voltage or poor power connection</li> <li>● Defective driver</li> </ul>	
	An alarm generates.	Refer to [Chapter 11 Troubleshooting].		Chapter 11
	AL53 and AL81 are generated.	Execute the multi revolution clear, then reconnect the power.		P9-10
JOG operation	Does not rotate.	Is the motor wire connected correctly?	<ul style="list-style-type: none"> <li>● Poor motor wire connection</li> <li>● Defective driver</li> <li>● Defective actuator</li> </ul>	P2-17
	The rotation direction is reversed.			
	An alarm generates.	Refer to [Chapter 11 Troubleshooting].		Chapter 11

## 3-3 Operation check with the actuator alone

The following explains the operation check procedure on the motor alone before the motor is assembled into the system.



- (1) Be sure to perform a trial run before commencing the normal operation.
- (2) In a trial run, separate the actuator from the machine/system and operate the actuator alone (under no load).



## Troubleshooting at operation check

### Position control mode

Operation	Description of problem	Check item	Estimated cause	Reference
Servo-ON input	The servo does not lock.	Is the motor wire connected correctly?	Poor motor wire connection	P2-17
		Is the operation preparation completed?	1. The servo-ON signal has not been input. 2. Is the DC24V power supplied correctly to the IN-COM?	P5-8 P5-4
		Is warning 93 generated?	The main circuit voltage is not input or input voltage dropped.	
	An alarm generates.	Refer to [Chapter 11 Troubleshooting].		Chapter 11
Command pulse input	The actuator does not rotate.	Is the motor wire connected correctly?	Wrong motor wire UVW connection	P2-17
		Check the command pulse in the status display mode explained in Chapter 6.	1. Pulse pattern setting error 2. 2-pulse train signal logic error	P8-5
		Is the FWD or REV inhibit inputs enabled?	The FWD/REV inhibit is enabled.	P5-10
		Check the CN2 wirings.	Wiring error	
	Rotates only in 1 direction.	Pulse input pattern setting	Pulse input pattern setting and pulse input system do not match.	P5-17 P8-5
		Is the FWD or REV inhibit input enabled?	The inhibit input in non-rotatable direction is enabled.	P5-10
		Check the CN2 wirings.	Wiring error	
	The rotation direction is reversed.	Check the CN2 wirings.	Pulse signal wiring error	P5-10
		Check the command polarity.	Parameter setting error	
	An alarm generates.	Refer to [Chapter 11 Troubleshooting].		Chapter 11

### Speed control mode

3

Startup

Operation	Description of problem	Check item	Estimated cause	Reference
Servo-ON input	The servo does not lock.	Is the motor wire connected correctly?	Poor motor wire connection	P2-17
		Is the operation preparation completed?	1. The servo-ON signal has not been input. 2. Is the DC24V power supplied correctly to the IN-COM?	P5-8 P5-4
		Is warning 93 generated?	The main circuit voltage is not input or input voltage dropped.	
	An alarm generates.	Refer to [Chapter 11 Troubleshooting].		Chapter 11
FWD enable or REV enable ON	The actuator does not rotate.	Is the motor wire connected correctly?	Wrong motor wire UVW connection	P2-17
		Check the d11 speed command voltage in the status display mode.	The speed command voltage is 0V.	P5-19
		Monitor the I/O statuses using PSF-800 software.	Input signal is incorrect.	P5-8
		Are the internal speed command value and related items correctly set and selected?	Internal speed command setting error or internal speed command selection (CN2) error	P5-9
		Is the FWD or REV inhibit input enabled?	The FWD/REV inhibit inputs are enabled.	P5-8
		Check FWD/REV enable status.	Both the FWD and REV enable inputs are turned ON or OFF.	
	The rotation direction is reversed.	Is the command voltage input correctly?	The opposite polarity is set.	P5-15
		Check FWD/REV enable status.	At + (-) command voltage input, the FWD (REV) enable inputs are turned OFF and the REV (FWD) enable inputs are turned ON.	
An alarm generates.	Refer to [Chapter 11 Troubleshooting].		Chapter 11	

## Torque control mode

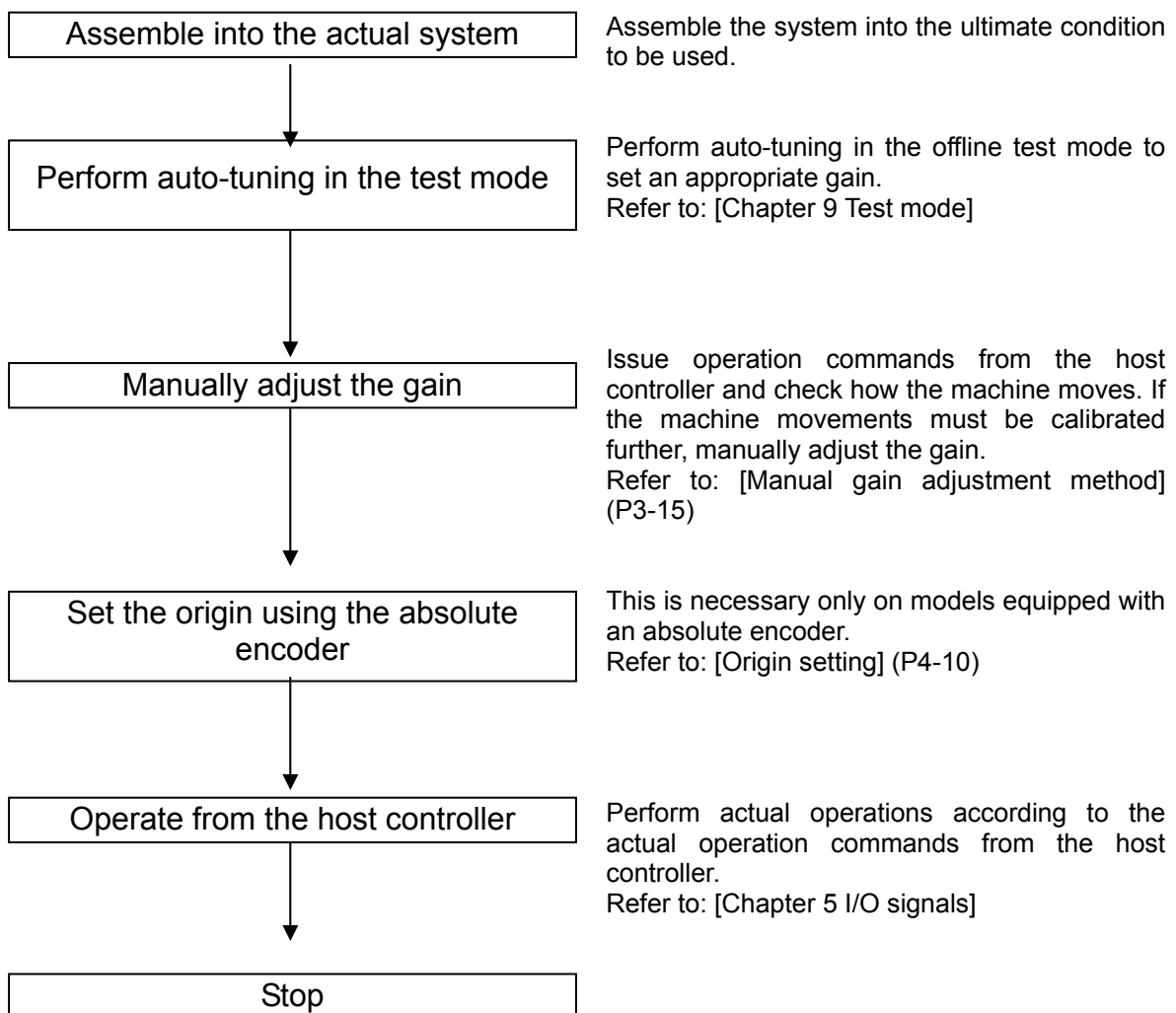
Operation	Description of problem	Check item	Estimated cause	Reference
Servo-ON input	The servo does not lock.	Is the motor wire connected correctly?	Poor motor wire connection	P2-17
		Is the operation preparation completed?	1. The servo-ON signal has not been input. 2. Is the DC24V power supplied correctly to the IN-COM?	P5-8 P5-4
		Is warning 93 generated?	The main circuit voltage is not input or input voltage dropped.	
	An alarm generates.	Refer to [Chapter 11 Troubleshooting].		Chapter 11
FWD selection or REV selection ON	The actuator does not rotate.	Is the motor wire connected correctly?	Wrong motor wire UVW connection	P2-17
		Check the d12 torque command voltage in the status display mode.	The torque command voltage is 0V.	P5-19
		Monitor the I/O statuses using PSF-800 software.	Input signal is incorrect.	P5-8
		Are internal torque command value and setting set correctly?	Internal torque command setting error	P5-11
		Is the FWD or REV inhibit input enabled?	The FWD/REV inhibit inputs are enabled.	P5-9
		Check the FWD/REV selection status.	Both the FWD and REV selections are turned ON or OFF.	
	The rotation direction is reversed.	Is the command voltage input correctly?	The opposite polarity is set.	P5-15
		Check the FWD/REV selection status.	At + (-) command voltage input, the FWD (REV) selection inputs are turned OFF and the REV (FWD) selection inputs are turned ON.	
	An alarm generates.	Refer to [Chapter 11 Troubleshooting].		Chapter 11

## 3-4 Operation check with the actual system

The following explains the operation checking procedure to be performed using the applicable system assembled with the motor.



**If this product is applied to any facility that affects life or may trigger material losses, install safety devices so that accidents will not occur even when the output control is disabled due to damage.**





## Troubleshooting at actual operation check

Operation	Description of problem	Check item	Estimated cause	Reference
Auto-tuning	Significant vibration does not decrease even after tuning.	Is the startup or shutdown time too short?	Host controller setting error	P9-11
		Is the load inertia too big?	Actuator selection error	
	An alarm generates.	Refer to [Chapter 11 Troubleshooting].		Chapter 11
Manual gain adjustment	Vibration does not decrease even after adjusting the gain.	Check the servo gain set value.	Servo gain setting error	P3-15
		Is the startup or shutdown time too short?	Host controller setting error	
		Is the load inertia too big?	Actuator selection error	
	An alarm generates.	Refer to [Chapter 11 Troubleshooting].		Chapter 11

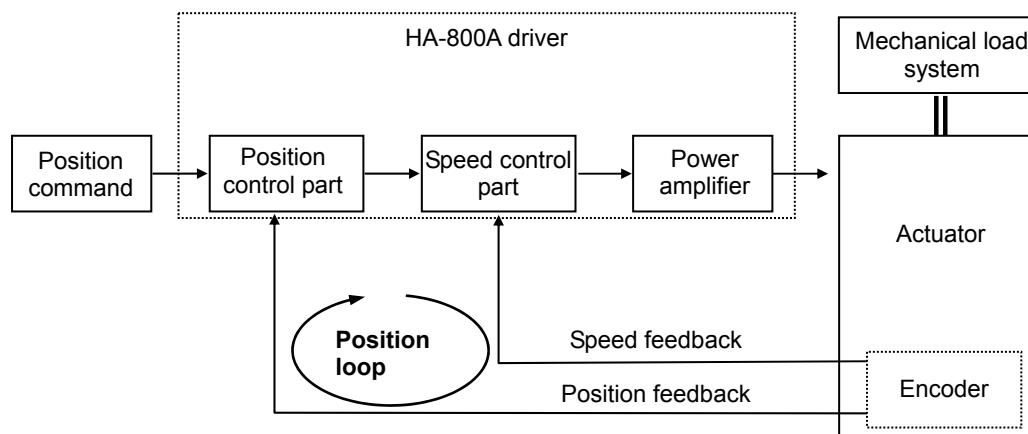
## 3-5 Manual gain adjustment method

If sufficient adjustment could not be achieved by auto-tuning, manual adjustment can be performed using various parameters.

When manually adjusting the servo gain, adjust the gains of individual servos one by one. Check the response characteristics using the HA-800 driver monitor software PSF-800 waveform monitoring. Prepare a measuring instrument to observe monitored output waveforms to CN9.

### Position control

A block diagram of position control is shown below.



### Parameters

The following parameters are used to adjust the position control gain.

Parameter No.	Description	Default
AJ00	Position loop gain	*1
AJ01	Speed loop gain	*1
AJ02	Speed loop integral compensation	*1

\*1: The default varies depending on the applicable actuator. Refer to the values of applicable actuator that are the targets of [Appendix: Default setting] (A-1).

### Adjustment procedure

- 1** Perform rough adjustment via auto-tuning. Refer to [T09: Auto-tuning] (P9-11).
- 2** Set a smaller position loop gain (AJ00) and larger speed loop integral compensation (AJ02).
- 3** Gradually increase the speed loop gain (AJ01) to the extent that the machine does not vibrate or produce abnormal sound, and once vibration or abnormal sound is detected decrease the gain slightly.
- 4** Gradually decrease the speed loop integral compensation (AJ02) to the extent that the machine does not vibrate or produce abnormal sound, and once vibration or abnormal sound is detected increase the compensation slightly.
- 5** Gradually increase the position loop gain (AJ00), and once vibration is detected decrease the gain slightly.
- 6** Fine-tune the above gains by observing the settling after positioning and condition of machine operation.

## Adjustment details

- **Adjustment details of speed loop gain (AJ01)**

This parameter is used to determine the response of the speed loop.

Increasing the set value of this parameter improves the response, but increasing the value excessively causes the mechanical system to vibrate easily. On the other hand, a lower response of the speed loop eliminates vibration but it may cause the response to drop. In addition, setting the response of the speed loop too low can cause a delay in the external position loop, thereby resulting in overshooting or the machine may vibrate as it executes a speed command.

- **Speed loop integral compensation (AJ02)**

The speed loop can be integrally compensated to reduce the negative effect of speed fluctuation as the load fluctuates. The greater this integral compensation, the slower the response becomes upon load fluctuation. On the other hand, a smaller compensation improves the speed response upon load fluctuation, but too small a setting induces vibration. Accordingly, adjust the integral vibration to an appropriate level.

- **Position loop gain (AJ00)**

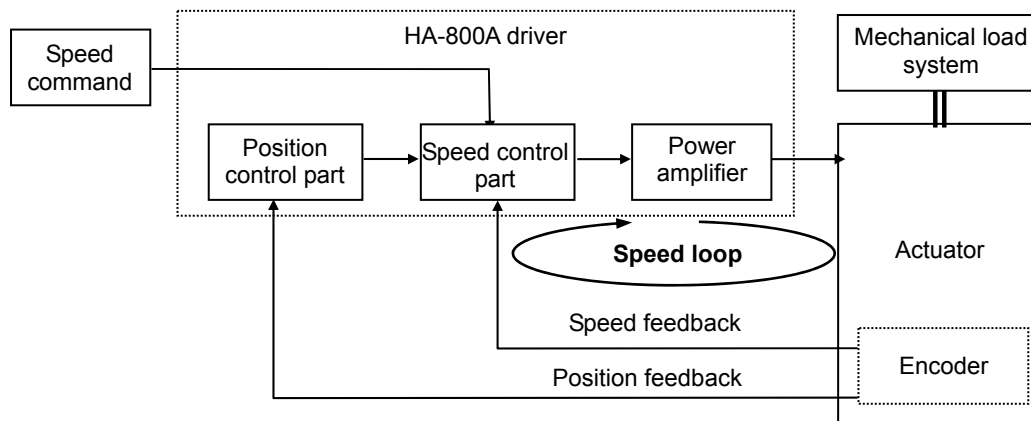
By increasing the position loop gain, you can improve the control response and shorten the positioning time.

However, an excessively high gain causes overshooting and the machine will reverse at high speed to compensate for the overshoot. These operations will be repeated and vibration will occur.

If the position loop gain is too low, on the other hand, the control response drops.

## Speed control

A block diagram of speed control is shown below.



## Parameters

The following parameters are used to adjust the speed control gain.

Parameter No.	Description	Default
AJ01	Speed loop gain	*1
AJ02	Speed loop integral compensation	*1

\*1: The default varies depending on the applicable actuator. Refer to the values of applicable actuator that are the targets of [Appendix: Default setting] (A-1).

## Adjustment procedure

- 1 Perform rough adjustment via auto-tuning. Refer to [T09: Auto-tuning] (P9-11).
- 2 Set a larger speed loop integral compensation (AJ02).

- 3 Gradually increase the speed loop gain (AJ01) to the extent that the machine does not vibrate or produce abnormal sound, and once vibration or abnormal sound is detected decrease the gain slightly.
- 4 Gradually decrease the speed loop integral compensation (AJ02) to the extent that the machine does not vibrate or produce abnormal sound, and once vibration or abnormal sound is detected increase the compensation slightly.
- 5 Fine-tune the above gains by observing the condition of machine operation under speed control.

### Adjustment details

- **Adjustment details of speed loop gain (AJ01)**

This parameter is used to determine the response of the speed loop. Increasing the set value of this parameter improves the response, but increasing the value excessively causes the mechanical system to vibrate easily. On the other hand, a lower response of the speed loop eliminates vibration but it may cause the response to drop. In addition, setting the response of the speed loop too low can cause a delay in the external position loop, thereby resulting in overshooting or the machine may vibrate as it executes a speed command.

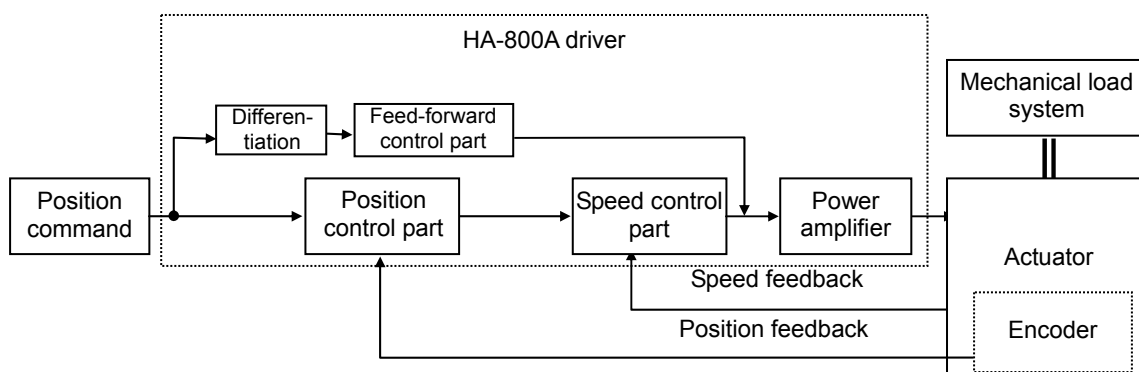
- **Speed loop integral compensation (AJ02)**

The speed loop can be integrally compensated to reduce the negative effect of speed fluctuation as the load fluctuates. The greater this integral compensation, the slower the response becomes upon load fluctuation. On the other hand, a smaller compensation improves the speed response upon load fluctuation, but too small a setting induces vibration. Accordingly, adjust the integral vibration to an appropriate level.

## Applied servo gain adjustment function

The applied adjustment function permits adjustment of the feed-forward gain. Normally, however, you should use the aforementioned manual adjustment methods explained under [Position control] (P3-15) first. Only when these adjustments do not provide satisfactory results you should use the applied adjustment function.

### Block diagram of feed-forward control function



### Parameters

The following parameters are used to adjust the position control gain.

Parameter No.	Description	Default
AJ03	Feed-forward gain	0
AJ20	Feed-forward filter	1

AJ21	Load inertia moment ratio	100
AJ22	Torque constant compensation factor	100
AJ23	Spring constant compensation factor	100

- **These parameters are effective only in position control. They become ineffective once the mode is switched to speed control or torque control.**
- **Timings at which the changes of set values become effective**  
When a parameter is changed, the change will become effective when the motor shaft rotation speed drops to the value set in [AJ07: Zero speed judgment value] or below.

## Adjustment details

- **Feed-forward gain (AJ03)**

- **Control details**

During position control the driver has fewer deviation pulses in the initial stage when input of position command pulses is started, and thus the actuator speed rises gradually. Feed-forward refers to a type of control where the command pulse input is differentiated and the result is converted to torque information, which is then added to the torque command to minimize this delay.

- **Adjustment method**

If the feed-forward gain is set too high, the command is achieved more quickly. However, an excessively high gain leads to mechanical shock or vibration (hunting). Also, the feed-forward gain changes according to the settings of load inertia moment ratio (AJ21), torque constant compensation factor (AJ22) and spring constant compensation factor (AJ23). Set optimal values by checking the response.

- **Effect of electronic gear setting**

Under feed-forward control, exercise caution as sufficient effect may not be achieved and unstable control may result if the electronic gear is set high.

For example, setting the numerator larger and denominator smaller for the electronic gear has the same effect as inputting (numerator)/(denominator) pulses per positioning command pulse. In this case, input change increases in discontinuous steps. Although an input change is differentiated under feed-forward control, if this discontinuous input change increases the derivative value becomes discontinuous, and consequently feed-forward control may become unstable.

- **Feed-forward filter (AJ20)**

- **Setting details**

Set the filter frequency to be used in feed-forward control.

- **Adjustment method**

When the set value is increased, feed forward becomes effective until higher frequencies and the response becomes quicker. However, increasing the value excessively leads to mechanical shock or vibration (hunting). Accordingly, set a low value first and then gradually increase it by checking the response.

- **Load inertia moment ratio (AJ21)**

- **Setting details**

Set the ratio of the moment of inertia of load relative to the self-inertia moment. 100% means that the load factor is the same as the self-inertia moment. Set the actual load inertia value of the machine.

- **Effect of setting**

Increasing the load inertia moment ratio has the effect of increasing the feed-forward amount just like when the feed-forward gain is raised. Lowering the load inertia moment ratio has the same effect as lowering the feed forward gain. Set the actual load inertia value of the machine correctly.

- **Torque constant compensation factor (AJ22)**

- **Normal use**

Variation in the actuator torque constant is compensated for. Feed-forward control is performed based on the value set here. Set this factor to 100% in normal use.

- **Effect of factor**

The reference value of the torque constant compensation factor is 100%. Setting a higher value increases the actuator torque constant, meaning that the feed-forward control part decreases the feed-forward amount and thereby lowers the feed-forward gain.

On the other hand, setting a low torque constant compensation factor has the same effect as increasing the feed-forward gain. Torque constants of actuators are subject to slight variation, and this parameter is used to compensate for this variation. Accordingly, set this parameter to 100% in normal use.

- **Spring constant compensation factor (AJ23)**

- **Normal use**

Variation in the actuator spring constant is compensated for. Feed-forward control is performed based on the value set here. Set this factor to 100% in normal use.

- **Effect of factor**

Although the reference value of the spring constant compensation factor is 100%, set an appropriate compensation factor depending on the variation in the actuator's spring constant.

Resonance frequencies that cause mechanical resonance may occur depending on the actuator's spring constant compensated for by the spring constant compensation factor and the setting of load inertia moment ratio (AJ21). The feed-forward control part implements controls to lower the feed-forward gain at these resonance frequencies.

## 3-6 Normal operation

This driver operates according to commands received from the host device. No special procedures are required in normal operations.

The following explains the notices when performing normal operations as well as daily maintenance/inspection.

### Notices for normal operations



- (1) **Do not change wirings while the power is supplied.**  
Disconnecting wires or connectors while the power is supplied may cause electric shock or an uncontrollable operation.
- (2) **Do not touch the terminals for 15 minutes after the power is turned OFF.**  
Even after the power is turned OFF, electric charge remains in the driver. Do not touch the terminals for 15 minutes after the power-OFF to avoid electric shock.
- (3) **Do not operate the driver by turning ON/OFF the power.**  
Frequent power ON/OFF operation may cause deterioration of circuit elements inside the driver.

### Daily maintenance/inspection

Perform maintenance/inspection according to the maintenance/inspection standards for electronic devices specified by the department introducing the driver.



- (1) **Be sure to shut down the power before carrying out maintenance/inspection.**  
Carrying out maintenance/inspection while the power is supplied may cause electric shock.
- (2) **Do not touch the terminals for 15 minutes after the power is turned OFF.**  
Even after the power is turned OFF, electric charge remains in the driver. Do not touch the terminals for 15 minutes after the power-OFF to avoid electric shock.
- (3) **Do not perform megger test or voltage resistance test.**  
The control circuits in the driver may be damaged and an uncontrollable operation may occur.

Inspection point	Interval	Inspection standard	Treatment
Terminal screws	1-year inspection	No loosen screws	Tightening screws
Unit exterior	1-year inspection	No dust or metal chips on the case	Cleaning
Unit interior	1-year inspection	No discoloration, damage or other abnormalities	Consult Harmonic Drive Systems

## Periodically replaced parts

A detection circuit is provided for the following replacement parts of this driver so that any part that can no longer operate correctly can be identified. However, it is recommended that each part be replaced at the specified timing listed below. For details, contact our sales office.

Replacement part	Replacement timing	Replacement method
Cooling fan	5 year	Replaced by our office. Ship your HA-800A driver to our sales office. The driver will be returned once the part has been replaced.
Battery	1 year	Purchase a new battery from our sales office. Replace the old battery with the new one after purchase by referring to [How to replace the backup battery].
Electrode capacitor	5 years	When the capacitor is operated in an environment of 40°C in average temperature throughout the year. It varies depending on the use environment.
Relay	100,000 times (Number of power ON times)	Use the relay at the frequency of turning power ON/OFF of 30 times/day or less.

The life of the cooling fan assumes that this driver is operated 24 hours a day in an environment of 40°C in average temperature throughout the year.

The life of the battery assumes that the driver remains unpowered in a condition connected to the actuator.

## Backup battery

The backup battery is used to hold the multi revolution data in the absolute encoder when the power supply is cut off.

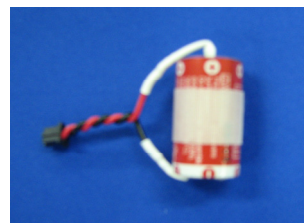
The absolute encoder has a built-in capacitor to hold the data even after the backup battery is replaced.

All drivers of absolute encoder model come with this battery pre-assembled.

### Backup battery

Model code: HAB-ER17/33-2

<b>Battery type</b>	Lithium battery
<b>Manufacturer</b>	Hitachi Maxell, Ltd.
<b>Manufacturer model</b>	ER17/33 (3.6V 1,600 mAh)



Data retention time

<b>Data retention time</b>	Approx. 1 year after the power is cut off
<b>Conditions</b>	Unused power is turned OFF, ambient temperature: 25°C, axis stopped (The actual life varies depending on the condition of use.)

### Caution

- With a 13-bit absolute encoder or a 17-bit absolute encoder (FHA-Cmini series), warning 91 will be automatically reset after the battery is replaced.
- With a 17-bit absolute encoder (SHA series), warning 91 will be reset by resetting the alarm and reconnecting the power after the battery is replaced.



## Built-in capacitor of actuator

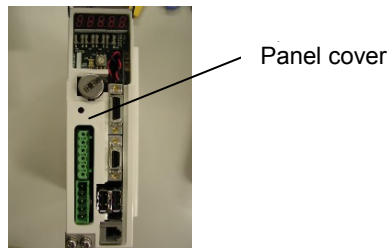
Data retention time

<b>Data retention time</b>	Approx. 30 min. after the power is cut off
<b>Conditions</b>	After 3 h of charging, ambient temperature 25°C, axis stopped

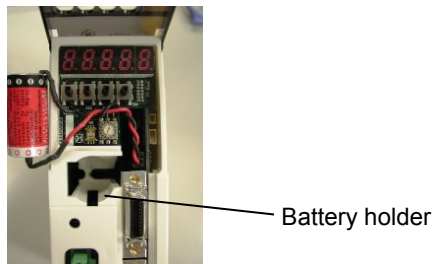
## How to replace the backup battery

If [Warning 91: Low battery power] displays, replace the battery by following the procedure below:

### 1 Open the operation panel cover.



### 2 Remove the battery.



### 3 Set the new battery by placing it in the battery holder with the positive side facing down.

### 4 Push the battery all the way in and close the panel cover.

- With a 13-bit absolute encoder or a 17-bit absolute encoder (FHA-Cmini series), warning 91 will be automatically reset after the battery is replaced.
- With a 17-bit absolute encoder (SHA series), warning 91 will be reset by resetting the alarm and reconnecting the power after the battery is replaced.



# Chapter 4

## Encoder system

---

The encoder configuration is different depending on the actuator model. Details of each actuator are explained in this chapter.

---

4-1	Overview of encoders.....	4-1
4-2	17-bit absolute encoder.....	4-4
4-3	13-bit absolute encoder.....	4-13
4-4	Incremental encoder.....	4-23

## 4-1 Overview of encoders

A different type of encoder is embedded in the actuator according to the actuator model. Accordingly, wirings, signal exchange with the driver, etc., vary depending on the applicable model. Details are explained below for each encoder type. Check the section corresponding to your actuator.

Encoder type	Actuator model	Driver model	Details
17-bit absolute encoder	SHA series FHA-Cmini series	HA-800A- * D-100/200	P4-4
13-bit absolute encoder	FHA-C series	HA-800A- * A-100/200	P4-13
4-wire wire-saving incremental encoder	FHA-C series	HA-800A- * C-100/200	P4-23
4-wire wire-saving incremental encoder	FHA-Cmini series	HA-800A- * C-100/200	
14-wire incremental encoder	RSF/RKF series	HA-800A- * B-100/200	

The specifications of encoders that can be connected to the HA-800A driver are shown below. Select an applicable driver model according to the actuator used and the applicable encoder specification.

Item	17-bit absolute encoder		13-bit absolute encoder	4-wire wire-saving incremental encoder		14-wire incremental encoder
	SHA series	FHA-Cmini series	FHA-C series	FHA-Cmini series	FHA-C series	RSF/RKF series
Details	P4-4	P4-4	P4-13	P4-23	P4-23	P4-23
Applicable driver model	HA-800A-3D-100/200 HA-800A-6D-100/200	HA-800A-1D-100/200	HA-800A-3A-100/200 HA-800A-6A-100/200	HA-800A-1C-100/200	HA-800A-3C-100/200 HA-800A-6C-100/200	HA-800A-3B-100/200 HA-800A-6B-100/200
Sensor type	Magnetic sensor	Single revolution: Optical sensor multi revolution: Magnetic sensor	Optical sensor	Optical sensor	Optical sensor	Optical sensor
Data storage upon power OFF	Battery backup method	Battery backup method	Battery backup method	None	None	None
Resolution per motor shaft rotation	17 bits (131,072 pulses)	17 bits (131,072 pulses)	13 bits (8,192 pulses)	8,000 pulses*1	10,000 pulses*1	8,000 pulses*1
Maximum motor shaft rotation range	16 bits (-32768 to 32767)	16 bits (-32768 to 32767)	13 bits (-4096 to 4095)	Not limited	Not limited	Not limited
Encoder monitor output pulses	Parameter setting can be changed. Up to 8,192 pulses are output per motor shaft rotation.	Parameter setting can be changed. Up to 8,192 pulses are output per motor shaft rotation.	Fixed	Fixed	Fixed	Fixed
Max. permissible rotational speed upon power failure	6,000 r/m However, 300 r/m when the power is input/encoder is started.	6,000 r/m However, 250 r/m when the power is input/encoder is started.	5,000 r/m (constant speed) 1,400 r/m (accelerating)	—	—	—
Retention time by driver's built-in backup battery	Approx. 1 year (Power not supplied)	Approx. 1 year (Power not supplied)	Approx. 1 year (Power not supplied)	—	—	—
Retention time by actuator's built-in capacitor	Approx. 0.5 h (Fully charged)	Approx. 0.5 h (Fully charged)	Approx. 0.5 h (Fully charged)	—	—	—
Encoder/driver communication method	Line driver receiver method/2.5 Mbps	Line driver receiver method	Line driver receiver method	Line driver receiver method	Line driver receiver method	A, B, Z, U, V and W parallel signals
Encoder/driver connection cable	EWD-S**-A08-3M14 (model No. 25, 32, 40) EWD-S**-D10-3M14 (model No. 58, 65) 2-core twisted wire x 3-pair shield cable	EWD-S**-A08-3M14 2-core twisted wire x 3-pair shield cable	EWC-S**-B08-3M14 2-core twisted wire x 4-pair shield cable	EWC-E**-M06-3M14 2-core twisted wire x 2-pair shield cable	EWC-E**-B04-3M14 2-core twisted wire x 2-pair shield cable	2-core twisted wire x 7-pair shield cable

Item	17-bit absolute encoder		13-bit absolute encoder	4-wire wire-saving incremental encoder		14-wire incremental encoder
Actuator model	SHA series		FHA-Cmini series	FHA-C series		FHA-Cmini series
Output of current HA-800A value (For reading of initial position)	31-bit data transmission output of signed current value (9,600 bps, data refresh cycle 100 ms)	31-bit data transmission output of signed current value (9,600 bps, data refresh cycle 100 ms)	31-bit data transmission output of signed current value (9,600 bps, data refresh cycle 100 ms)	31-bit data transmission output of signed current value (9,600 bps, data refresh cycle 100 ms)	31-bit data transmission output of signed current value (9,600 bps, data refresh cycle 100 ms)	31-bit data transmission output of signed current value (9,600 bps, data refresh cycle 100 ms)
Alarm	Encoder disconnection	○	○	○	○	○
	MEMORY error	○	○	×	×	×
	System failure	○	○	○	×	×
	Single rotation data error	○	○	×	×	×
	Multi revolution data error	○	○	×	×	×
	BUSY error	○	○	×	×	×
	Overheat error	○	○	×	×	×
	Communication error	○	○	×	×	×
	Encoder counter receiving error	×	×	○	○	○
	Multi revolution counter overflow	×	×	○	×	×
	Multi revolution data error	×	×	○	×	×
Safety/redundancy	Absolute data dual-redundancy matching method	None	None	None	None	None

\*1: Quadruplicated pulses

## 4-2 17-bit absolute encoder



If AL81 (system failure), AL82 (single rotation data error) or AL83 (multi revolution data error) occurs due to a loss of absolute position or error, be sure to reset the origin. Failure to do so may result in unexpected operations.

### Features

The SHA series is equipped with a multi revolution-type 17-bit magnetic absolute encoder.

The FHA-Cmini series is equipped with a multi revolution-type 17-bit optical absolute encoder. (Multi revolution detection is magnetic.)

It consists of a detector (17 bits/revolution) for detecting the position after one motor shaft revolution and a cumulative counter (16 bits) for detecting the number of motor revolutions.

This encoder constantly detects the absolute machine position and stores it by means of the backup battery, regardless of whether the power supply for driver or external controller is turned ON/OFF.

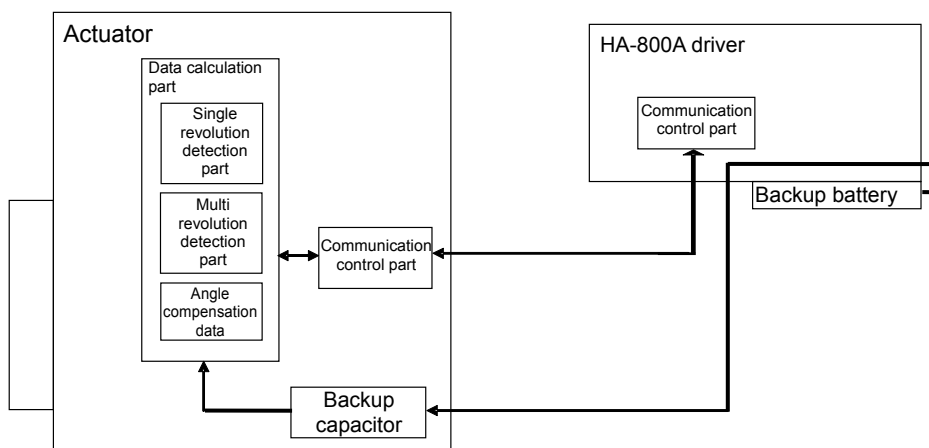
Accordingly, once the origin is detected when the machine is installed, originating is not required after subsequent power ON operations. This facilitates the recovery operation after a power failure or breakdown.

The absolute single revolution position detector and revolution detection/cumulative counter are both made dual-redundant on the 17-bit magnetic absolute encoder equipped on the SHA series. Two identical data is constantly compared to ensure highly reliable design permitting self-detection of encoder errors should they occur.

A backup capacitor is also provided in the encoder. (Internal backup. Take note that the retention time is short.)

### Caution

- The backup time is 30 minutes when a new capacitor has been charged for at least 3 hours by supplying power to the actuator. This backup time becomes shorter if the power is supplied for a shorter period or the capacitor deteriorates over time.



Block diagram of actuator/encoder and driver

## Startup

### Parameters that must be set

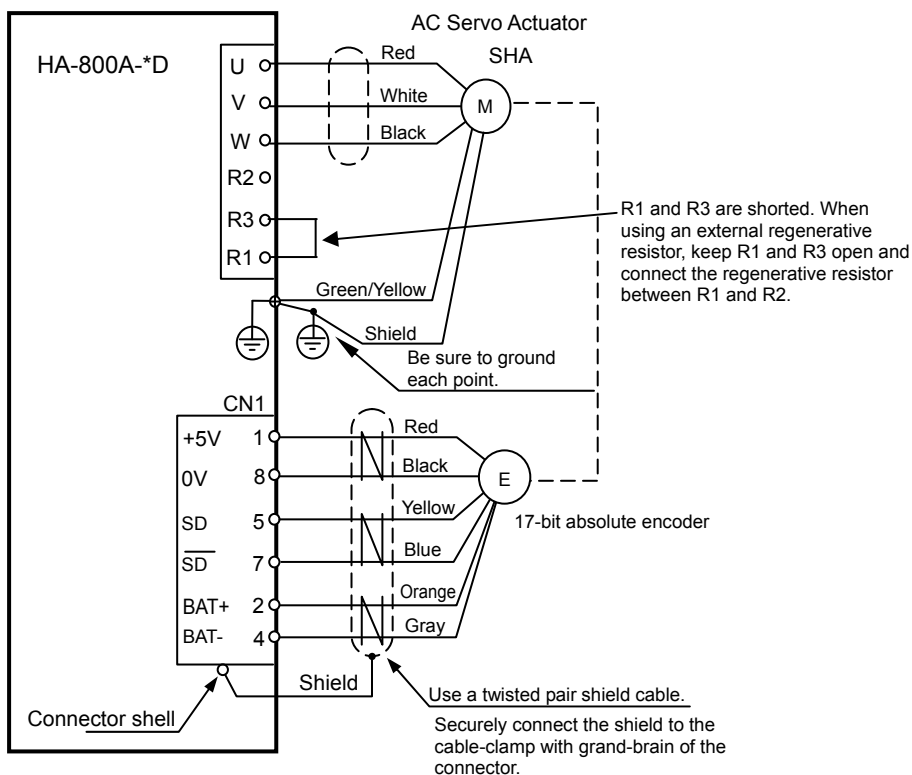
Parameter No.	Name	Function
SP61	Encoder monitor output pulses	Set the phase A and B pulses to be output to the encoder monitor output terminals (CN2-42 to 48) when the motor shaft of the 17-bit absolute encoder turns one revolution. Setting range: 1 to 8,192 If this parameter is set to the maximum value of 8,192, the resolution becomes 32,768 pulses (8,192 x 4). This corresponds to one-fourth the resolution 131,072 of the 17-bit encoder.

4

Encoder system

### Standard connection

A connection example of an actuator of 17-bit absolute encoder model with a HA-800A driver is shown.





## Startup procedures

### 1 Setting the battery

Refer to Chapter 3 Startup [How to replace the backup battery].

### 2 Initializing the absolute encoder system

When the battery is set in the HA-800A driver and the power supply is turned ON for the first time, [AL81: System failure], [AL82: Single revolution data error], [AL83: Multi revolution data error] and [UA91: Battery voltage low warning] generate.

It is necessary to initialize (multi revolution data clear) the errors.

For details, refer to [T08: Multi revolution clear] (P9-10).

#### (1) Resetting AL81 to AL83

Execute T08 (multi revolution data clear) in the test mode to reset the alarms.

#### (2) Clearing UA91 (SHA series)

When the actuator is connected to the HA-800A driver and the power supply is turned ON for the first time, UA91 generates. If the backup battery is normal, execute the above Multi revolution data clear and then reconnect the power to clear the warning.

\* UA91 will not occur on the FHA-Cmini series absolute type if the battery is normal. If UA91 occurs, replace the battery.

### 3 Setting the parameters

Set the parameter SP61 according to the method used, after which turn OFF the power and then turn it ON again to make the parameter effective.

### 4 Checking the transfer of current position data

#### Outputting the current value data from the pins CN2-40 and 41

Since the current encoder value is output from the pins CN2-40 and 41, receive this data by the host controller to check the data. When connecting a host controller to operate the system, be sure to perform this check. For details on transmitted data, refer to [Wiring the host device] (P2-19).

#### (3) Connecting to the monitor software PSF-800

Connect to the PSF-800 connector CN3 for the HA-800A driver via the dedicated communication cable EWA-RS03 (option). You can also display the current encoder value in PSF-800 and check the data. For details, refer to [Chapter 10 Communication software].

### 5 Setting the origin

The origin must be set in the following cases:

- The system has been installed and started up.
- The actuator has been replaced.
- [AL81: System failure], [AL82: Single revolution data error] or [AL83: Multi revolution data error] generated due to a loss of absolute position or error.

For the origin setting method, refer to [Origin setting] (P4-10).

## Caution

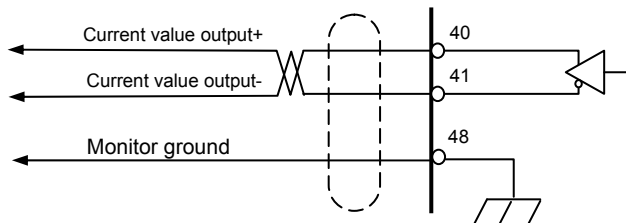
- Take note that the current value of the 17-bit absolute encoder (10 digits) cannot be fully displayed (only the last 8 digits are displayed) because only a total of 8 digits are allocated for d05 feedback pulse (Low) and d06 feedback pulse (High) on the display panel of the HA-800A driver.

## Data output

### Outputting the current value data from the pins CN2-40 and 41

The current value of the 17-bit absolute encoder is constantly sent and output cyclically. Data of bits 0 to 32 (including the sign) is divided into 9 parts and sent. Data of bits 0 to 32 is sent in 9 transmissions taking 100 ms each, or over a total period of 900 ms.

This data is transmitted cyclically and repeatedly after the driver power supply is turned ON and CPU is started, regardless of the timings of phase A, B and Z output signals.



● Transmission format

Number of divisions	0 bit	1 bit	2 bit	3 bit	4 bit	5 bit	6 bit	7 bit
First	Current value data bits 0 to 3				1	0	0	0
Second	Current value data bits 4 to 7				0	1	0	0
Third	Current value data bits 8 to 11				1	1	0	0
Fourth	Current value data bits 12 to 15				0	0	1	0
Fifth	Current value data bits 16 to 19				1	0	1	0
Sixth	Current value data bits 20 to 23				0	1	1	0
Seventh	Current value data bits 24 to 27				1	1	1	0
Eighth	Current value data bits 28 to 31				0	0	0	1
Ninth	If the current value is negative, all 1. If positive, all 0.				1	0	0	1

Current value data

Number of divisions data

Communication speed: 9,600 bps

Data length: 8 bits

Stop bit: 1 bit

Parity: Even parity

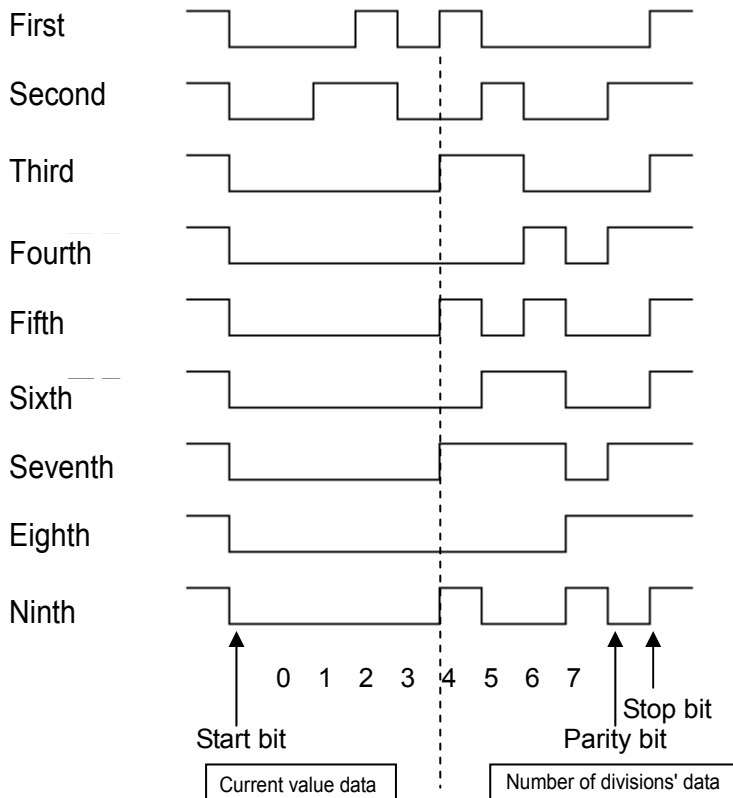
Format: LSB first

Refresh cycle: 100 ms (refresh cycle for each transmission, such as after the first and before the second transmission)

\* The current value data is unstable immediately after turning the control power supply ON.

Read the current value data after 10 seconds or longer elapsed after turning the control power supply ON.

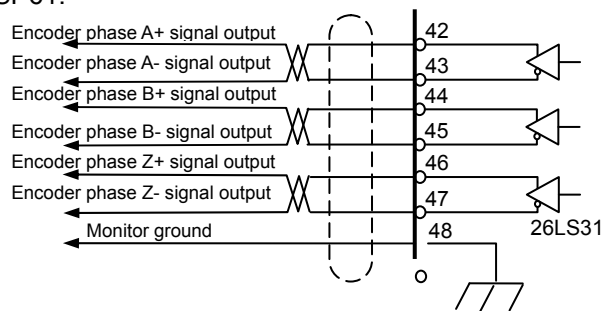
● **Example of transmitted data (when the current value is 100)**



**Encoder phase A, B and Z signal outputs**

When the motor shaft equipped with a 17-bit absolute encoder turns, incremental phase A, B and Z signals are output to the pins CN2-42 to 48. The number of pulses per motor shaft revolution is set by the system parameter SP61.

- CN2-42 Phase output-A+ (LD)
- CN2-43 Phase output-A- (LD)
- CN2-44 Phase output-B+ (LD)
- CN2-45 Phase output-B- (LD)
- CN2-46 Phase output-Z+ (LD)
- CN2-47 Phase output-Z- (LD)
- CN2-48 Monitor ground



● **Output signal pulses**

The output pulses per motor shaft revolution are set by the parameter SP61 (encoder monitor output pulses).

	Output pulses per motor shaft revolution
Phase A signal output	Set value of SP61 ([1] to [8,192])
Phase B signal output	Set value of SP61 ([1] to [8,192])
Phase Z signal output	1

For phase Z, 1 pulse is output per motor shaft revolution.

For example, setting the maximum value 8,192 in SP61 causes 8,192 pulses to be output per motor shaft revolution. Although this corresponds to a resolution of 32,768 pulses, or 4 times 8,192, it is one-fourth the resolution 131,072 of the 17-bit absolute encoder per motor shaft revolution.

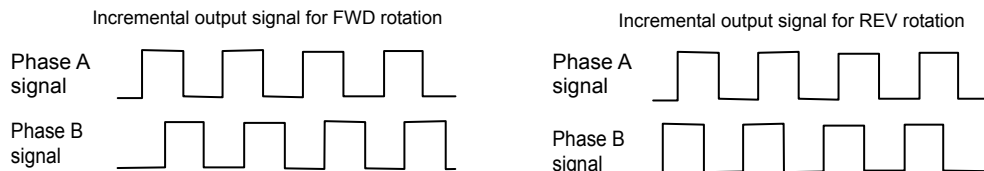
$$8,192 \times 4 = 32,768 \text{ (Quadruplicate)}$$

$$131,072 \div 4 = 32,768$$

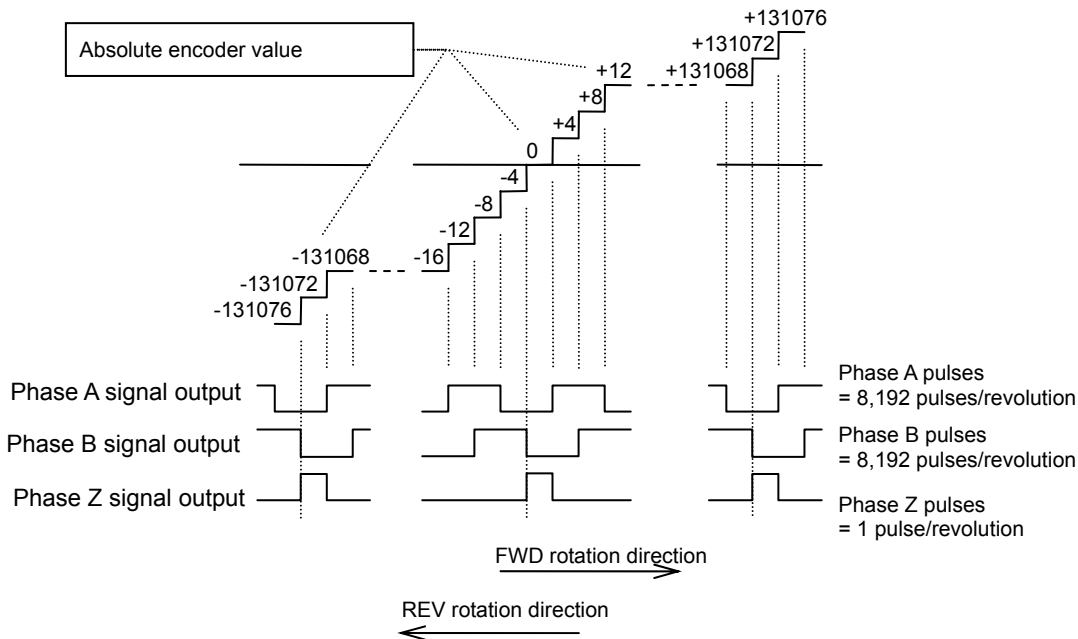
● **Phase A, B and Z incremental output waveforms**

For FWD rotation, the phase A signal is output with an advance of 90° relative to the phase B signal. For REV rotation, the phase A signal is output with a delay of 90° relative to the phase B signal.

To obtain the resolution in the quadrupled mode, utilize the leading edges and trailing edges of both phase A and B signals.



When 8,192 is set in SP61, the values of the 17-bit absolute encoder and phase A, B and Z waveforms are as follows. However, the phases of phase-A, B, and Z waveforms delay with respect to the value of the absolute encoder for the signal processing time within the driver, due to the rotation speed of the actuator.



● **Signal input method**

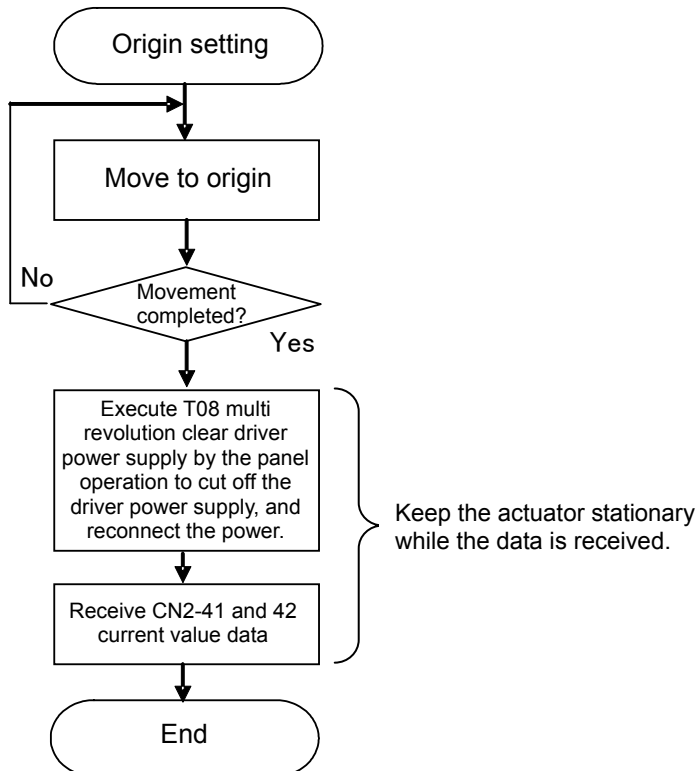
Each phase signal is output by a line driver (26LS31). Receive the signals using a line receiver (AM26LS32 or equivalent).

**Caution**

- Use an EIA-422A compliant line receiver to receive the signals.

## Origin setting

Move the actuator to the desired origin via JOG operation, manually or using an external origin sensor, etc., prepared for setting the origin. Execute T08 (multi revolution clear) in the test mode by operating the panel of the HA-800A. Receive the current value of the absolute encoder through CN2-40 and 41 (current value data output) and use this value as the origin data.



### Caution

- Do not turn the actuator until the multi revolution clear is executed and receiving/reading of the current value is completed. If the actuator moves, the origin may become offset.

### Checking the absolute position data using the monitor software PSF-800

The HA-800 driver monitor software PSF-800 can be used to display and check the absolute position data of the 17-bit absolute encoder on a personal computer. For details, refer to [Chapter 10 Communication software].

## Remedial actions for errors/warnings

### Remedial action for error

Name	Description	Cause	Action
AL50 Encoder disconnection	Encoder signals have been cut off.	(1) Disconnected encoder signal wire (2) Poor contact/connection of encoder signal connector (3) Encoder error (4) HA-800A driver control circuit error	(1) Repair the wire. (2) Connect the connector properly. (3) Replace the actuator. (4) Replace the HA-800A driver.
AL80 MEMORY error	EEPROM memory error in encoder	(1) Encoder error (2) HA-800A driver control circuit error	(1) Replace the actuator. (2) Replace the HA-800A driver.
AL81 System failure	Encoder system shutdown	(1) Turned the power ON for the first time after the purchase. (2) SHA series: Either the voltage of the backup capacitor in the encoder or HA-800 driver battery, whichever is higher, has become 2.85V or below. FHA-Cmini series: The battery voltage has dropped to 2.85V or below. (3) FHA-Cmini series absolute type: The battery voltage has dropped to 2.85V or below. (4) Encoder failure	(1) Perform [T08: Multi revolution clear] to reconnect the power. (2) Replace the HA-800 driver battery with a new one. After the battery has been replaced, set the origin. (3) Same as above. (4) Replace the actuator.
AL82 Single rotation data error	Encoder single revolution data error	(1) Turned the power ON for the first time (2) Malfunction due to external noise (3) Encoder failure	(1) Perform [T08: Multi revolution clear] to reconnect the power. (2) Provide noise suppression measures to eliminate negative effects of external noise. (3) Replace the actuator.
AL83 Multi revolution data error	Encoder multi revolution data error	(1) Turned the power ON for the first time (2) Malfunction due to external noise (3) Encoder failure	(1) Perform [T08: Multi revolution clear] to reconnect the power. (2) Provide noise suppression measures to eliminate negative effects of external noise. (3) Replace the actuator.
AL84 BUSY error	When the encoder was started, the motor shaft rotated at a constant speed or above and a position specification problem occurred.	(1) When the power supply was turned ON and encoder was started, the motor shaft rotated at a constant speed or above. SHA series: 300 r/m or more FHA-Cmini series: 250 r/m or more (2) Encoder failure	(1) When the power supply is turned ON and encoder is started, ensure that the motor shaft rotates at a constant speed or below. (2) Replace the actuator.
AL85 Overheat error	Heated actuator/encoder	(1) The board temperature in the encoder has reached 95°C or above. (2) The heat sink temperature of the driver has reached 106°C or above. (3) Encoder failure	(1) Remove the cause of actuator overheat, such as relaxing the actuator drive conditions or improving the heat radiation conditions for the heat sink. (2) Same as above (3) Replace the actuator.

AL86 Communication error	Data could not be received in at least 4 consecutive communications between the actuator and this driver.	(1) Disconnected encoder signal wire (2) Poor contact/connection of encoder signal connector (3) Malfunction due to external noise	(1) Repair the wire. (2) Connect the connector properly. (3) Provide noise suppression measures to eliminate negative effects of external noise.
-----------------------------	---	--	--

### Remedial action for warning

Name	Description	Cause	Action
UA91 Battery voltage low	The backup battery voltage has dropped to DC3.1V or below.	(1) Voltage drop due to consumption of backup battery (2) Short-circuit the encoder battery wire (3) HA-800A driver control circuit error (4) Encoder failure	(1) SHA series: Replace the battery with a new one, input alarm reset and then reconnect the power supply. FHA-Cmini series: Replace the battery with a new one. (2) Repair the wire. (3) Replace the HA-800A driver. (4) Replace the actuator.

## 4-3 13-bit absolute encoder



If AL53 (system failure), AL54 (multi revolution counter overflow) or AL55 (multi revolution data error) generates due to a loss of absolute position or error, be sure to reset the origin. Failure to do so may result in unexpected operations.

### 4

Encoder system

### Features

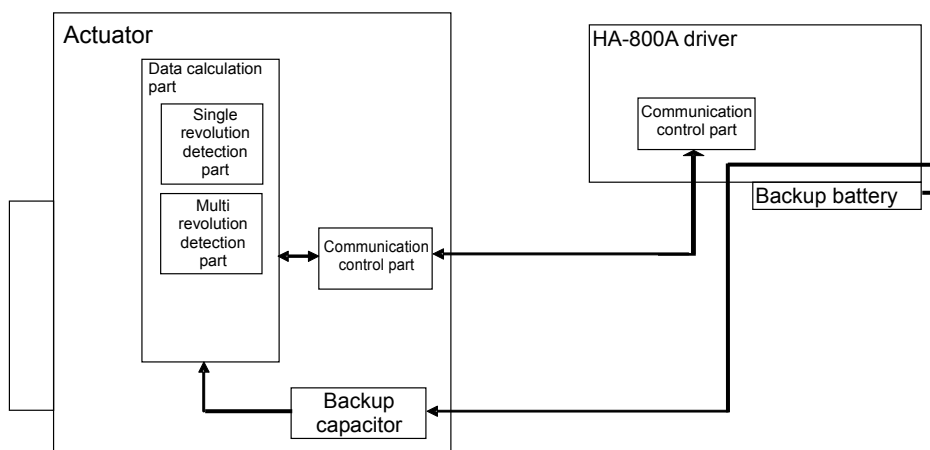
The FHA-C series is equipped with a multi revolution-type 13-bit optical absolute encoder. It consists of a detector (13 bits/revolution) for detecting the position after one motor shaft revolution and a cumulative counter (13 bits) for detecting the number of motor revolutions.

This encoder constantly detects the absolute machine position and stores it by means of the backup battery, regardless of whether the power supply for driver or external controller is turned ON/OFF. Accordingly, once the origin is detected when the machine is installed, originating is not required after subsequent power ON operations. This facilitates the recovery operation after a power failure or breakdown.

A backup capacitor is also provided in the encoder. (Internal backup. Take note that the retention time is short.)

### Caution

- The backup time is 30 minutes when a new capacitor has been charged for at least 3 hours by supplying power to the actuator. This backup time becomes shorter if the power is supplied for a shorter period or the capacitor deteriorates over time.

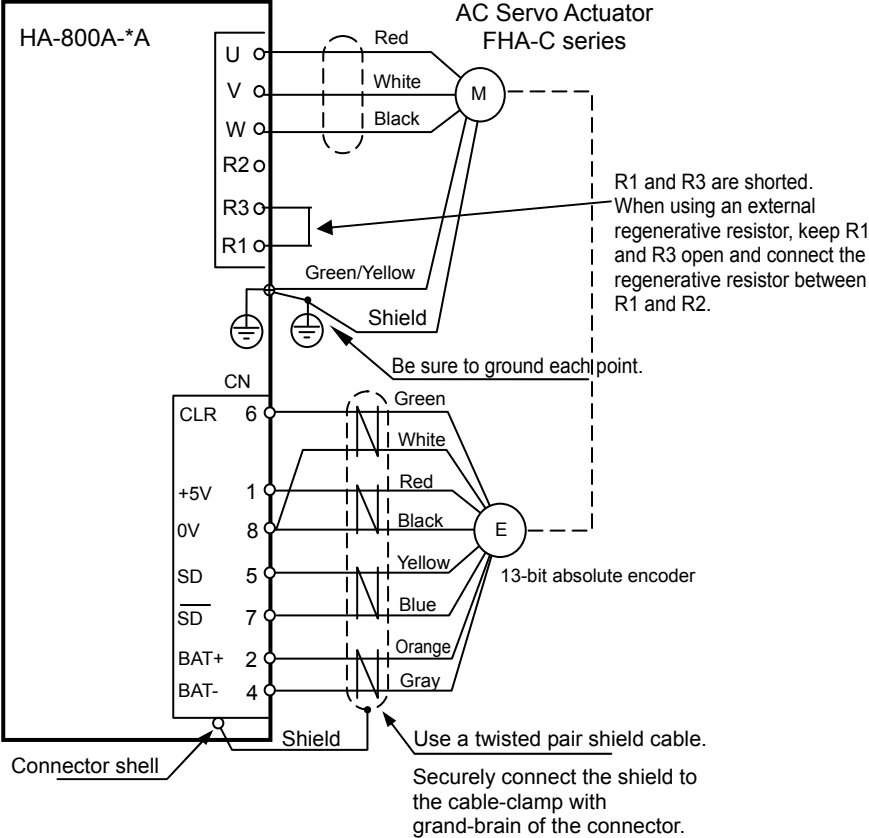


Block diagram of actuator/encoder and driver



**Standard connection**

A connection example of an actuator of 13-bit absolute encoder model with a HA-800A driver is shown.



## Startup

### Parameters that must be set

Nothing in particular.

### Startup procedures

#### 1 Setting the battery

Refer to Chapter 3 Startup [How to replace the backup battery].

#### 2 Initializing the absolute encoder system

When the battery is set in the HA-800A driver and power is turned ON for the first time, AL53 (system failure) generates.

- **Resetting AL53**

Execute T08 (multi revolution data clear) in the test mode to reset the alarms.

#### 3 Checking the transfer of current position data

- **Outputting the current value data from the pins CN2-40 and 41**

Since the current encoder value is output from the pins CN2-40 and 41, receive this data by the host controller to check the data. When a host controller is connected to operate the system, be sure to perform this check (or check in (2) below). For details on transmitted data, refer to [Outputting the current value data from the pins CN2-40 and 41] (P4-7) in the same way as for 17-bit absolute encoder.

- **Outputting the current value data from the pins CN2-42 to 47 (HA-655 driver mode)**

For customers who have been using the HA-655 driver, position data is output from the phase A, B and Z output ports similar to those of the HA-655 driver, instead of [Outputting the current value data from the pins CN2-40 and 41]. Read and check this data. When a host controller is connected to operate the system, be sure to perform this check (or check in (1) above). For details on transmitted data, refer to [Outputting the current value data from the pins CN2-42 to 47 (HA-655 driver mode)] (P 4-16).

- **HA-800 driver monitor software PSF-800**

Connect to the personal computer using the dedicated communication cable EWA-RS03 (option) to connect to the PSF-800 connector CN3 of the HA-800A driver. You can also display the current encoder value in the monitor software PSF-800 and check the data. For details, refer to [Chapter 10 Communication software].

- **HA-800A driver status display mode**

You can check the current encoder value from the d05 feedback pulse (Low) and d06 feedback pulse (High) shown on the display panel in the status display mode. For details, refer to [d05, 06: Feedback pulse display] (P 7-5).

#### 4 Setting the origin

The origin must be set in the following cases:

- The system has been installed and started up.
- The actuator has been replaced.
- AL53 (system failure), AL54 (multi revolution counter overflow) or AL55 (multi revolution data error) generated due to a loss of absolute position or error.

For the origin setting method, refer to [T08: Multi revolution clear] (P9-10).

## Data output

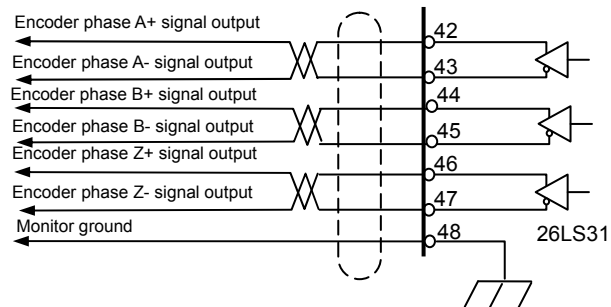
### Outputting the current value data from the pins CN2-42 to 47 (HA-655 driver mode)

Position data is output from the encoder phase A, B and Z signal output ports as with any HA-655 series driver.

Following the powering sequence, the output ports of the [CN2-42 phase-A: A+] through [CN2-47 phase-Z: Z-] automatically output multi revolution data and absolute data as the current value data just for once.

In normal operation, pulse train signals are output following the transmission of position data and implement similar operations to an incremental encoder.

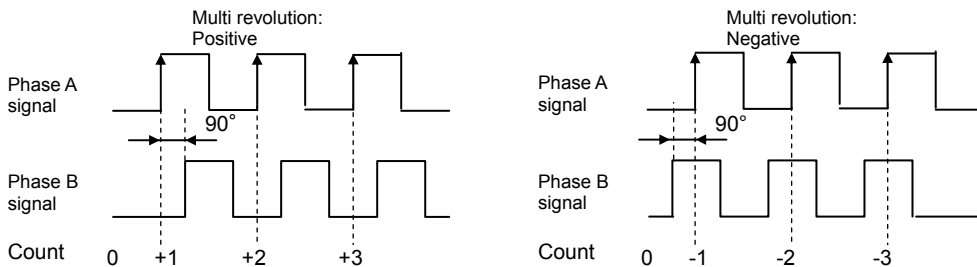
- CN2-42 Phase output-A+ (LD)
- CN2-43 Phase output-A- (LD)
- CN2-44 Phase output-B+ (LD)
- CN2-45 Phase output-B- (LD)
- CN2-46 Phase output-Z+ (LD)
- CN2-47 Phase output-Z- (LD)
- CN2-48 Monitor ground



#### ● Multi revolution data

"Multi revolution data" is output by 2 phase signals having a phase difference of 90°. If the multi revolution data of the encoder counter installed on the motor shaft is positive, the multi revolution data has a positive value and the phase A signal is output with an advance of 90° relative to the phase B signal. If the multi revolution data is negative, on the other hand, the multi revolution data has a negative value and the phase A signal is output with a delay of 90° relative to the phase B signal. The pulse frequency is 100kHz. Have the host device discriminate the positive/negative polarities of multi revolution data based on the advance/delay relationships of these 2 phase signals.

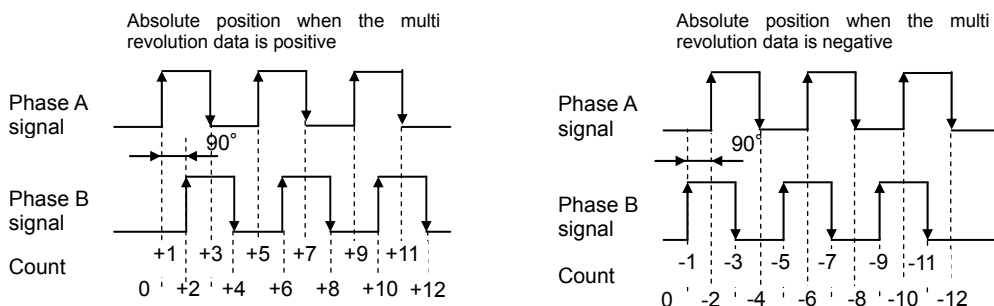
For the count, use the leading edge of phase A.



#### ● Absolute position

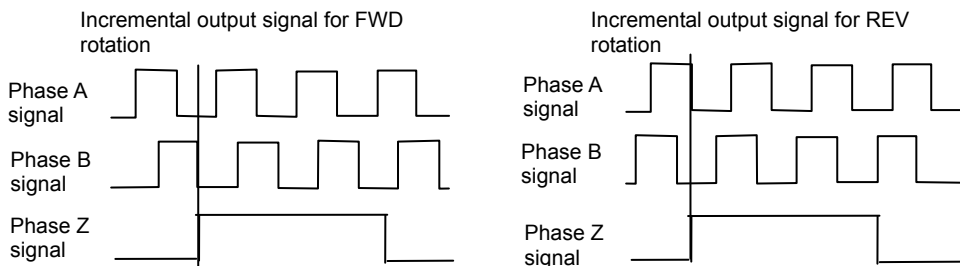
The absolute position is output using 2 phase signals having a phase difference of 90°. If the multi revolution data is positive, the phase A signal is output with an advance of 90° relative to the phase B signal. If the multi revolution data is negative, on the other hand, the phase A signal is output with a delay of 90° relative to the phase B signal. The pulse frequency is 100kHz.

Since pulses are output in the quadrupled form, count the leading edges and trailing edges of both phase A and B signals. In the example shown below, the absolute position is 12.



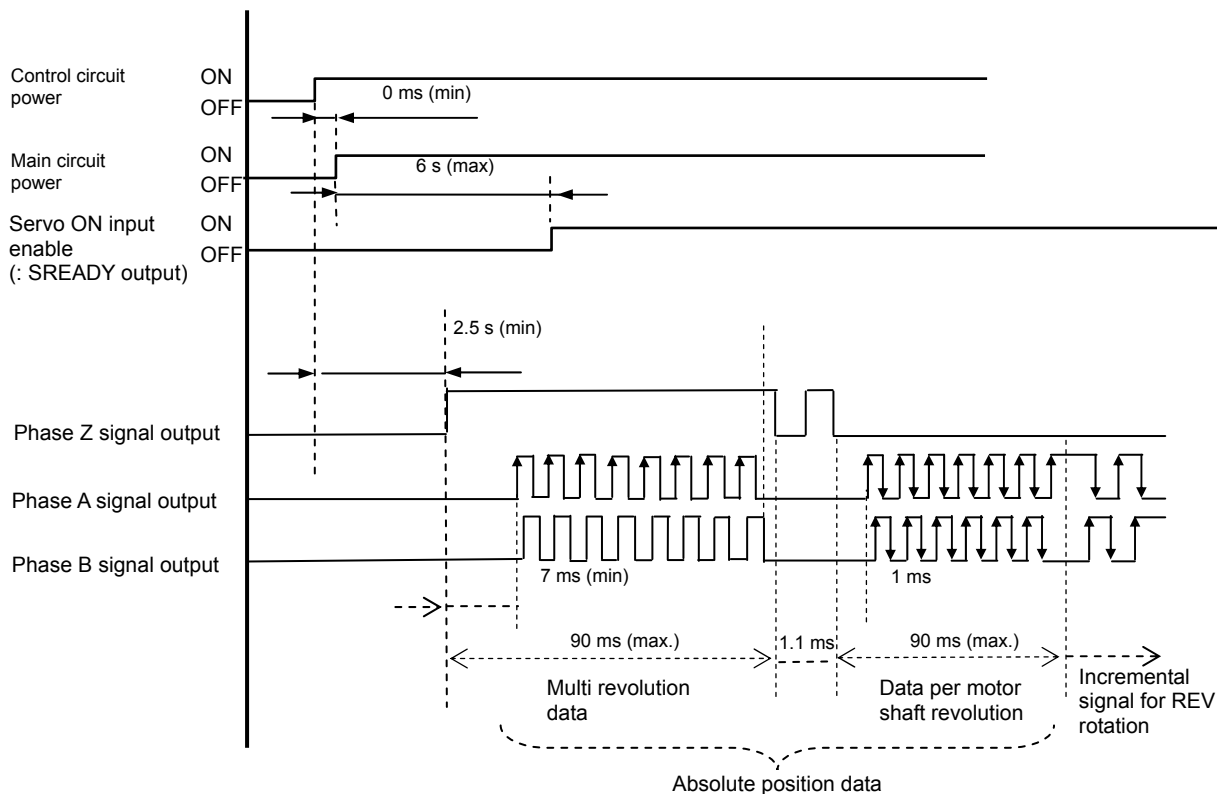
● **Encoder phase A, B and Z incremental signals**

Once multi revolution data and absolute position have been output, 2-phase pulse signals are output in the incremental method. For FWD rotation, the phase A signal is output with an advance of 90° relative to the phase B signal. For REV rotation, the phase A signal is output with a delay of 90° relative to the phase B signal.



● **Output signal sequence**

An example of signal output where the multi revolution data is +8, absolute value is +25, and when REV rotation is started after output of position data, is shown below.



## Encoder phase A, B and Z signal outputs

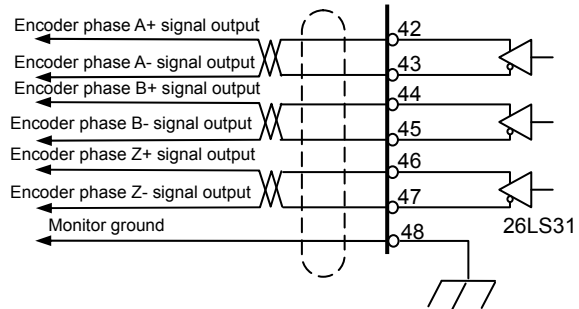
When the motor shaft equipped with a 13-bit absolute encoder turns, incremental phase A, B and Z signals are output to the pins CN2-42 to 48.

- **Number of output pulses**

When the motor shaft turns one revolution, 2,048 pulses are output.

For phase Z, 1 pulse is output per motor shaft revolution. Note that, for phase Z signal, 1 pulse is output per motor shaft rotation, but the width is indeterminable.

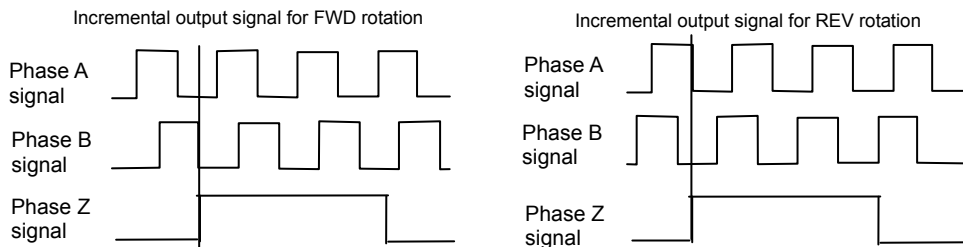
CN2-42 Phase output-A+ (LD)  
 CN2-43 Phase output-A- (LD)  
 CN2-44 Phase output-B+ (LD)  
 CN2-45 Phase output-B- (LD)  
 CN2-46 Phase output-Z+ (LD)  
 CN2-47 Phase output-Z- (LD)  
 CN2-48 Monitor ground



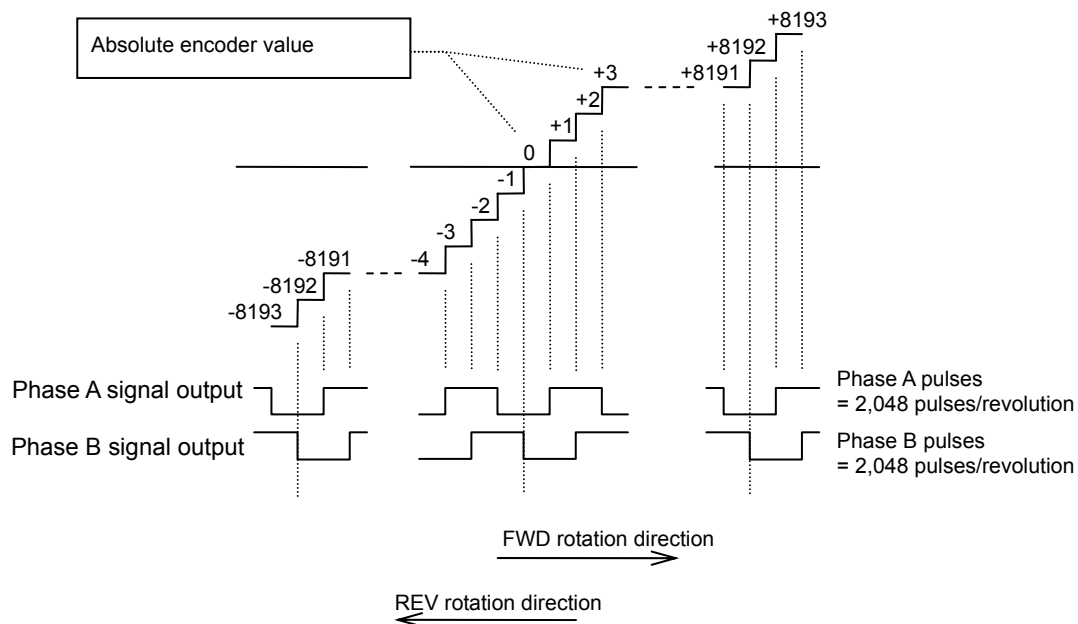
	Output pulses per motor shaft revolution
Phase A	2,048
Phase B	2,048
Phase Z	1

● **Phase A, B and Z output signal waveforms**

For FWD rotation, the phase A signal is output with an advance of 90° relative to the phase B signal. For REV rotation, the phase A signal is output with a delay of 90° relative to the phase B signal. To obtain the resolution in the quadrupled mode, utilize the leading edges and trailing edges of both phase A and B signals.



The values of the 13-bit absolute encoder and phase A and B waveforms are shown below.



● **Signal input method**

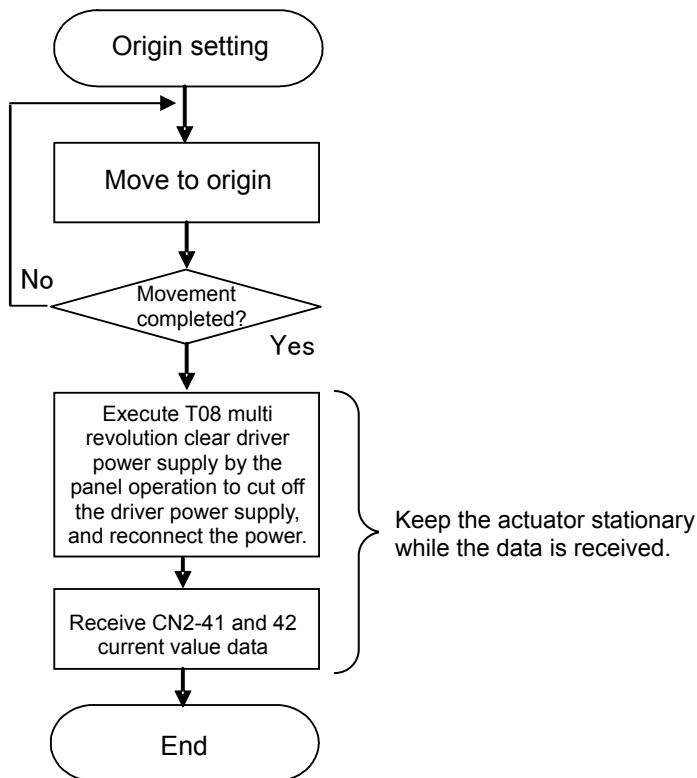
Each phase signal is output by a line driver (26LS31). Receive the signals using a line receiver (AM26LS32 or equivalent).

**Caution**

- Use an EIA-422A compliant line receiver to receive the signals.

## Origin setting

Move the actuator to the origin via JOG operation, manually or using an external origin sensor, etc., prepared for setting the origin. Execute T08 (multi revolution clear) in the test mode by operating the panel of the HA-800A. The current value of the absolute encoder is received and read through CN2-40 and 41 (current value data output) or CN2-42 to 47 (current value data output) (HA-655 driver mode), and this value is used as the origin data.



### Caution

- Do not turn the actuator until the multi revolution clear is executed and receiving/reading of the current value is completed. If the actuator moves, the origin may become offset.

## Remedial actions for errors/warnings

### Remedial action for error

Name	Description	Cause	Action
AL50 Encoder disconnection	Encoder signals have been cut off.	(1) Disconnected encoder signal wire (2) Poor contact/connection of encoder signal connector (3) Encoder malfunction due to rise in actuator temperature (4) Defective encoder (5) HA-800A driver control circuit error	(1) Repair the wire. (2) Connect the connector properly. (3) Review the actuator installation location and cooling system. (4) Replace the actuator. (5) Replace the HA-800A driver.
AL51 Encoder counter receiving error	Encoder serial data could not be received accurately.	(1) Electrical discontinuity of encoder signal wire (2) Non-connection or poor connection of encoder connector CN1 (3) Defective encoder (4) HA-800A driver control circuit error	(1) Repair the wire. (2) Connect the connector properly. (3) Replace the actuator. (4) Replace the HA-800A driver.
AL53 System failure	Encoder multi revolution data has been lost.	(1) The purchased driver was connected and power supply was turned ON for the first time. (2) The HA-800A driver and actuator have been disconnected for many hours. (3) Either the voltage of the backup capacitor in the encoder or HA-800 driver battery, whichever is higher, has become 2.3V or below. (4) Electrical discontinuity of encoder signal wire (5) Non-connection or poor connection of encoder connector CN1 (6) Encoder error	(1) Execute test mode T08 to perform multi revolution clear and then reconnect the power. (2) Execute test mode T08 to perform multi revolution clear and then reconnect the power. (3) Replace the HA-800 driver battery with a new one. After the battery has been replaced, set the origin. (4) Repair the wire. (5) Connect the connector properly. (6) Replace the actuator.
AL54 Multi revolution counter overflow	The value in the encoder multi revolution counter has exceeded the range of -4,096 to +4,095 revolutions (motor shaft).	(1) The actuator has turned in one direction in excess of the multi revolution counter range of -4,096 to +4,095 revolutions (motor shaft). (2) Defective encoder (3) HA-800A driver control circuit error	(1) Execute T08 in the test mode to clear the multi revolution data. (2) Replace the actuator. (3) Replace the HA-800A driver.
AL55 Multi revolution data error	The angular acceleration and rotation speed of the motor have exceeded the allowable response range when the encoder power supply was cut off and data was backed up by the battery.	(1) The actuator operated at an acceleration of 5,000 rad/s <sup>2</sup> or more or speed of 1,300 rpm or more, as an equivalent value on the motor shaft, when the driver power supply was cut off. (2) Defective encoder (3) HA-800A driver control circuit error	(1) Execute T08 in the test mode to clear the multi revolution data. (2) Replace the actuator. (3) Replace the HA-800A driver.

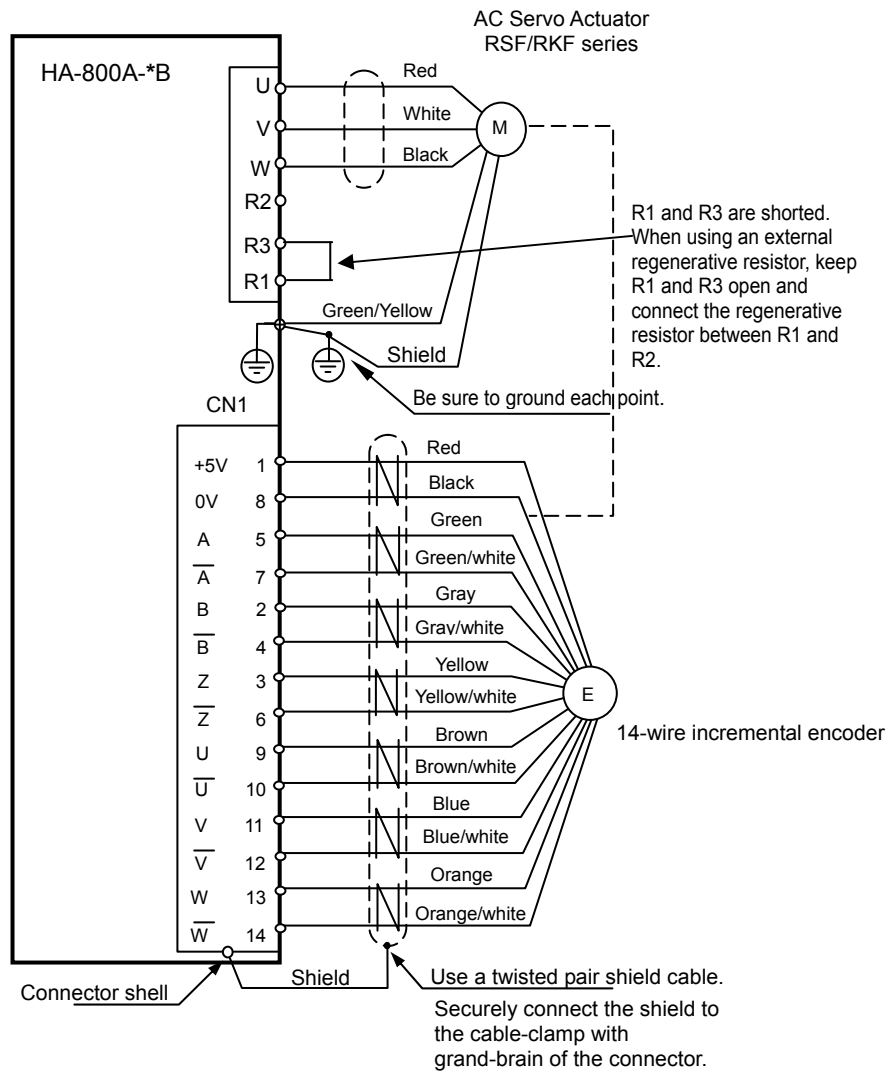


**Remedial action for warning**

<b>Name</b>	<b>Description</b>	<b>Cause</b>	<b>Action</b>
UA91 Battery voltage low	The backup battery voltage has dropped to DC2.8V or below.	(1) Voltage drop due to consumption of backup battery (2) Short-circuit the encoder battery wire (3) HA-800A driver control circuit error (4) Encoder failure	(1) Replace with a new battery. (2) Repair the wire. (3) Replace the HA-800A driver. (4) Replace the actuator.



14-wire wire-saving incremental encoder model



## Startup

### Parameters that must be set

Nothing in particular.

### Startup procedures

#### 1 Initializing the incremental encoder system

With incremental encoder systems using FHA-Cmini, FHA-C or RSF/RKF series actuators, driver feedback pulses are reset to 0 (initialized) when the driver power supply is turned ON.

#### 2 Checking the transfer of current position data

- **Outputting the current value data from the pins CN2-40 and 41**

Since the current encoder value is output from the pins CN2-40 and 41, receive this data by the host controller to check the data as needed. For details on transmitted data, refer to [Outputting the current value data from the pins CN2-40 and 41] (P4-7) in the same way as for 17-bit absolute encoder.

- **HA-800 driver monitor software PSF-800**

Connect to the personal computer using the dedicated communication cable EWA-RS03 (option) to connect to the PSF-800 connector CN3 of the HA-800A driver. You can also display the current encoder value in the monitor software PSF-800 and check the data. For details, refer to [Chapter 10 Communication software].

#### 3 Setting the origin

The origin must be set in the following cases:

- The system has been installed and started up
- The actuator has been replaced
- Power ON

## Data output

### Encoder phase A, B and Z signal outputs

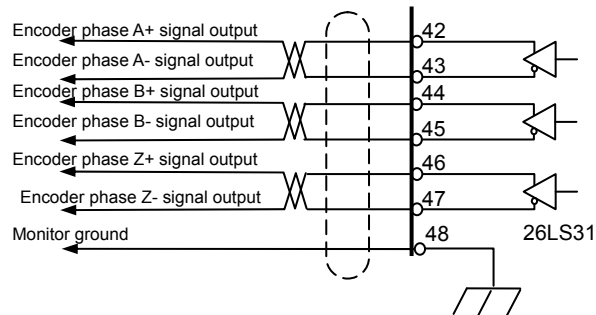
When the motor shaft equipped with an encoder turns, incremental phase A, B and Z signals are output to the pins CN2-42 to 48.

- Number of output pulses**

The numbers of phase A and B signal output pulses per motor shaft revolution vary depending on the encoder resolution.

For phase Z, 1 pulse is output per motor shaft revolution.

- CN2-42 Phase output-A+ (LD)
- CN2-43 Phase output-A- (LD)
- CN2-44 Phase output-B+ (LD)
- CN2-45 Phase output-B- (LD)
- CN2-46 Phase output-Z+ (LD)
- CN2-47 Phase output-Z- (LD)
- CN2-48 Monitor ground



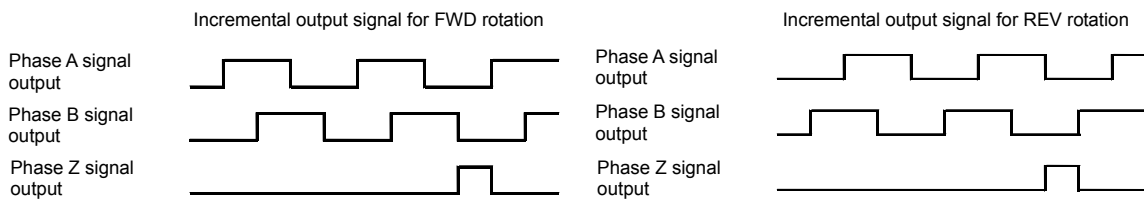
	Output pulses per motor shaft revolution
Phase A	(Encoder resolution) / 4 *1
Phase B	(Encoder resolution) / 4 *1
Phase Z	1

\*1: For example, assume that the encoder resolution is 10,000 pulses. In this case, 2,500 pulses (10,000 / 4) are output.

- Phase A, B and Z output signal waveforms**

For FWD rotation, the phase A signal is output with an advance of 90° relative to the phase B signal. For REV rotation, the phase A signal is output with a delay of 90° relative to the phase B signal.

To obtain the resolution in the quadrupled mode, utilize the leading edges and trailing edges of both phase A and B signals.



- Signal input method**

Each phase signal is output by a line driver (26LS31). Receive the signals using a line receiver (AM26LS32 or equivalent).

### Caution

- Use an EIA-422A compliant line receiver to receive the signals.

## Remedial action for error

Name	Description	Cause	Action
AL50 Encoder disconnection	Encoder signals have been cut off.	(1) Disconnected encoder signal wire (2) Poor contact/connection of encoder signal connector CN1 (3) Encoder malfunction due to rise in actuator temperature (4) Defective encoder (5) HA-800A driver control circuit error	(1) Repair the wire. (2) Connect the connector properly. (3) Review the actuator installation location and cooling system. (4) Replace the actuator. (5) Replace the HA-800A driver.
AL51 Encoder counter receiving error	Encoder serial data could not be received accurately.	(1) Electrical discontinuity of encoder signal wire (2) Poor contact/connection of encoder signal connector CN1 (3) Defective encoder (4) HA-800A driver control circuit error	(1) Repair the wire. (2) Connect the connector properly. (3) Replace the actuator. (4) Replace the HA-800A driver.
AL52 UVW error	Encoder phase U/V/W signal error	(1) Electrical discontinuity of encoder signal wire (2) Poor contact/connection of encoder signal connector CN1 (3) Defective encoder (4) HA-800A driver control circuit error	(1) Repair the wire. (2) Connect the connector properly. (3) Replace the actuator. (4) Replace the HA-800A driver.

# Chapter 5

## I/O signals

---

Details of I/O signal conditions and signal functions are explained in this chapter.

---

5-1	I/O signal list	5-1
5-2	Input signals: System parameter SP00 to SP16	5-3
5-3	Details of input signals	5-8
5-4	Inputs in each control mode	5-15
5-5	Output signals: System parameter SP20 to SP26	5-22
5-6	Details of output signals	5-25
5-7	Monitor output	5-27
5-8	Connection example in control mode	5-30

## 5-1 I/O signal list

This unit communicates with the host device via the CN2 connector. The following explains the I/O signals used in this communication.

### Pin numbers and names of I/O signals

The CN2 pin numbers and corresponding signal names are shown in the table below. Functions can be set and assigned to input signals (pins 3 to 7, 9 and 10) and output signals (pins 16 to 22) using system mode parameters 1 and 2.

The parentheses after each signal name indicate the function assigned by default setting.

Pin No.	Signal	Symbol	Input Output	Pin No.	Signal	Symbol	Input Output
1	Input signal common	IN-COM	Input	26	+24V	+24V	Input
2	Servo-ON	S-ON	Input	27	FWD pulse+	FWD+	Input
3	Input 2 (alarm reset)	IN2	Input	28	FWD pulse-	FWD-	Input
4	Input 3 (deviation counter clear)	IN3	Input	29	REV pulse+	REV+	Input
5	Input 4 (FWD inhibit)	IN4	Input	30	REV pulse-	REV-	Input
6	Input 5 (REV inhibit)	IN5	Input	31	Speed command input	SPD-CMD	Input
7	Input 6 (FWD enable/selection)	IN6	Input	32	Speed command common	SPD-COM	Input
8	Input signal common	IN-COM	Input	33	Torque command input	TRQ-COM	Input
9	Input 7 (REV enable/selection)	IN7	Input	34	Torque command common	TRQ-COM	Input
10	Input 8 (control mode selection)	IN8	Input	35	—	—	—
11	—	—	—	36	—	—	—
12	—	—	—	37	—	—	—
13	—	—	—	38	—	—	—
14	—	—	—	39	—	—	—
15	—	—	—	40	Current command value output+ (LD)	COM-MON +	Output
16	Output 1(operation preparation complete)	OUT1	Output	41	Current command value output- (LD)	COM-MON -	Output
17	Output 2(servo-ON input enable)	OUT2	Output	42	Phase output-A+ (LD)	A+	Output
18	Output 3 (alarm)	OUT3	Output	43	Phase output-A- (LD)	A-	Output
19	Output 4 (in-position complete)	OUT4	Output	44	Phase output-B+ (LD)	B+	Output
20	Output 5 (torque limiting)	OUT5	Output	45	Phase output-B- (LD)	B-	Output
21	Output 6 (zero speed output)	OUT6	Output	46	Phase output-Z+ (LD)	Z+	Output
22	Output 7 (warnings)	OUT7	Output	47	phase output-Z- (LD)	Z-	Output
23	Phase Z open collector output	Z (OC)	Output	48	Monitor COM	MON-COM	Output
24	Output signal common	OUT-COM	Output	49	Ground	FG	Output
25	Output signal common	OUT-COM	Output	50	Ground	FG	Output

OC indicates open collector, while LD indicates line driver.

Do not connect the pins marked "-". These pins are connected to internal circuits, so connecting them may result in failure.



## Models of I/O signal connector CN2

The models of CN2 connector are shown below:

	Connector	Cover
<b>Manufacturer</b>	3M	3M
<b>Model</b>	10150-3000PE	10350-52F0-008

# 5-2 Input signals: System parameter SP00 to SP16

The following explains the input signals.

The input signals are explained in the order of pin numbers of CN2. Signals corresponding to system parameters SP-00 to SP-16 can be assigned to pin numbers 3 to 7, 9 and 10.

- **CN2 connector (input)**

Pin No.	Signal
1	Input signal common
2	Servo-ON
3	Input 2 (alarm reset)
4	Input 3 (deviation counter clear)
5	Input 4 (FWD inhibit)
6	Input 5 (REV inhibit)
7	Input 6 (FWD enable/selection)
8	Input signal common
9	Input 7 (REV enable/selection)
10	Input 8 (control mode selection)
26	+24V
27	FWD pulse+
28	FWD pulse-
29	REV pulse+
30	REV pulse-
31	Speed command input
32	Speed command common
33	Torque command input
34	Torque command common
35	—

SP-00 to 16 can be assigned.

SP-00 to 16 can be assigned.

**5**  
I/O signals

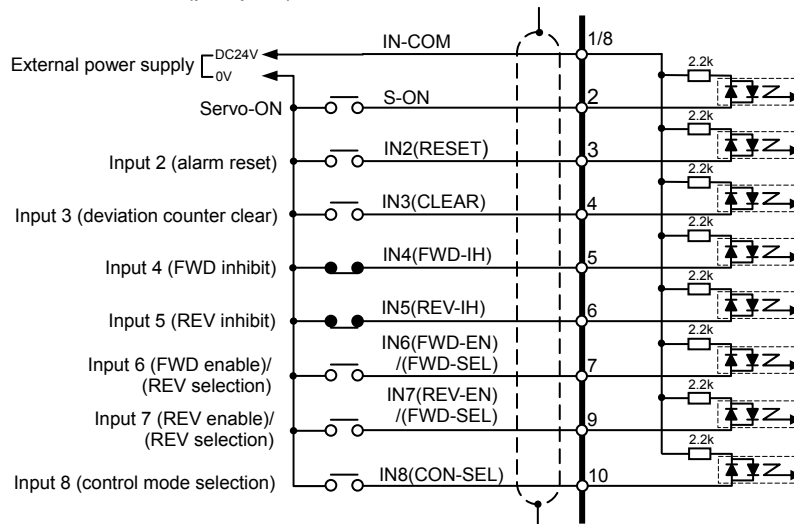
## Input signal connection circuit

The following explains how to connect the input signal port to the host device. This driver has 8 input signal ports as shown below.

### Specifications of input ports

Voltage: DC24V  $\pm$  10%

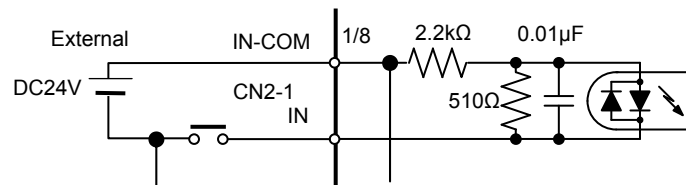
Current: 20 mA or less (per port)



The default setting is shown in parentheses.

### Caution

- The driver has no built-in input signal power supply. Connect the +24V side of the external power supply for input signals, to [CN2-1: Input signal common]. The required current capacity is calculated by multiplying the minimum number of ports used by 20 mA.



**Input signal function (logic)**

		Input signal status from host	
		Opt-isolator ON	Opt-isolator OFF
<b>Circuit status</b>			
<b>Logic setting</b>	00 Normally open (contact A)	Enable	Disable
	01 Normally closed (contact B)	Disable	Enable

Enable: The function of the selected signal is enabled.  
 Disable: The function of the selected signal is disabled.

**5**

I/O signals

## Input signal list

The input signals to which 3 to 7, 9 and 10 pins of CN2 can be assigned are as shown below. Set the values shown on the following page to the input signals to be used (Parameter Nos. SP-00 to 16) and specify the input pins to be assigned and corresponding signal polarities.

Display parameter No.	Input signal name	Abbreviation	Applicable control mode	Default set value			Detail page
				Assigned pin	Logic	Parameter set value (PSF-800)	
–	Servo-ON	S-ON	P.S.T	CN2-2 (fixed)	NO (fixed)	---	P5-8
SP-00	Emergency stop	ESTOP	P.S.T	–	NO	0000(0)	P5-8
SP-01	Alarm reset	RESET	P.S.T	CN2-3	NO	0002(2)	P5-8
SP-02	Deviation counter clear	CLEAR	P	CN2-4	NO	0003(3)	P5-8
SP-03	FWD inhibit	FWD-IH	P.S.T	CN2-5	NC	0104(260)	P5-9
SP-04	REV inhibit	REV-IH	P.S.T	CN2-6	NC	0105(261)	P5-9
SP-05	FWD enable	FWD-EN	S	CN2-7	NO	0006(6)	P5-10
SP-06	REV enable	REV-EN	S	CN2-9	NO	0007(7)	P5-10
SP-07	FWD selection	FWD-SEL	T	CN2-7	NO	0006(6)	P5-11
SP-08	REV selection	REV-SEL	T	CN2-9	NO	0007(7)	P5-11
SP-09	Internal speed command selection 1	SPD-SEL1	S	–	NO	0000(0)	P5-11
SP-10	Internal speed command selection 2	SPD-SEL2	S	–	NO	0000(0)	P5-11
SP-11	Internal speed limit selection 1	SPD-LMT1	P	–	NO	0000(0)	P5-12
SP-12	Internal speed limit selection 2	SPD-LMT2	P	–	NO	0000(0)	P5-12
SP-13	Torque limit	TRQ-LMT	P.S.T	–	NO	0000(0)	P5-13
SP-14	Electronic gear selection	G-SEL	P	–	NO	0000(0)	P5-13
SP-15	Control mode selection	CON-SEL	P.S.T	CN2-10	NO	0008(8)	P5-14
SP-16	Position command disable	INHIBIT	P	–	NO	0000(0)	P5-14

Setting example)

Setting details: Use the torque limit

(Limit the output torque using the torque limit AJ-11 when the opt-isolator of the CN2-10 pin turns ON.)

Parameter setting method: Torque limit SP-13 = 0008 (8)

Control mode selection SP-15 = 0000 (0)

\* If the control mode selection SP-15 = 0008 (8) remains unchanged from the default setting, the torque will be limited and control mode switched when the opt-isolator of the CN2-10 pin turns ON.

**Caution**

- Multiple input signals can be assigned to one pin. Unnecessary signals should be deleted from the pin assignments. If unnecessary signals are assigned, the system will not operate as expected.
- For the input signal servo-ON, the assigned pin or the logic cannot be changed.
- With signals that are not assigned to pins, their functions are enabled. For example, setting the normally closed (contact B) logic without assigning the emergency stop signal to a pin will cause the system to remain in an emergency stop state. The functions of all other input signals are also enabled. So, exercise caution that setting the normally closed (contact B) logic will enable the functions of these other signals at all times.

**5****List of parameter set values**

Set value		Setting details	Operation example	
Front panel	PSF-800		Set to the signal [FWD inhibit (SP-03)]	Set to the signal [Electronic gear selection (SP-14)]
0000	0	Input signal is always disabled.	FWD inhibit is always disabled (FWD inhibit is cancelled).	Electronic gear selection is always disabled (Select electronic gear 1).
0100	256	Input signal is always enabled.	FWD inhibit is always ON	Electronic gear selection is always enabled (Select electronic gear 2).
0001	1	If IN1 (CN2-2) = ON, input signal is enabled.	FWD rotation is inhibited when IN1 = ON (opt-isolator ON).	Electronic gear selection is enabled when IN1 = ON.
0101	257	If IN1 (CN2-2) = OFF, input signal is enabled.	FWD rotation is inhibited when IN1 = OFF (opt-isolator OFF).	Electronic gear selection is enabled when IN1 = OFF.
0002	2	If IN2 (CN2-3) = ON, input signal is enabled.	FWD rotation is inhibited when IN2 = ON (opt-isolator ON).	Electronic gear selection is enabled when IN2 = ON.
0102	258	If IN2 (CN2-3) = OFF, input signal is enabled.	FWD rotation is inhibited when IN2 = OFF (opt-isolator OFF).	Electronic gear selection is enabled when IN2 = OFF.
0003	3	If IN3 (CN2-4) = ON, input signal is enabled.	FWD rotation is inhibited when IN3 = ON (opt-isolator ON).	Electronic gear selection is enabled when IN3 = ON.
0103	259	If IN3 (CN2-4) = OFF, input signal is enabled.	FWD rotation is inhibited when IN3 = OFF (opt-isolator OFF).	Electronic gear selection is enabled when IN3 = OFF.
0004	4	If IN4 (CN2-5) = ON, input signal is enabled.	FWD rotation is inhibited when IN4 = ON (opt-isolator ON).	Electronic gear selection is enabled when IN4 = ON.
0104	260	If IN4 (CN2-5) = OFF, input signal is enabled.	FWD rotation is inhibited when IN4 = OFF (opt-isolator OFF).	Electronic gear selection is enabled when IN4 = OFF.
0005	5	If IN5 (CN2-6) = ON, input signal is enabled.	FWD rotation is inhibited when IN5 = ON (opt-isolator ON).	Electronic gear selection is enabled when IN5 = ON.
0105	261	If IN5 (CN2-6) = OFF, input signal is enabled.	FWD rotation is inhibited when IN5 = OFF (opt-isolator OFF).	Electronic gear selection is enabled when IN5 = OFF.
0006	6	If IN6 (CN2-7) = ON, input signal is enabled.	FWD rotation is inhibited when IN6 = ON (opt-isolator ON).	Electronic gear selection is enabled when IN6 = ON.
0106	262	If IN6 (CN2-7) = OFF, input signal is enabled.	FWD rotation is inhibited when IN6 = OFF (opt-isolator OFF).	Electronic gear selection is enabled when IN6 = OFF.
0007	7	If IN7 (CN2-9) = ON, input signal is enabled.	FWD rotation is inhibited when IN7 = ON (opt-isolator ON).	Electronic gear selection is enabled when IN7 = ON.
0107	263	If IN7 (CN2-9) = OFF, input signal is enabled.	FWD rotation is inhibited when IN7 = OFF (opt-isolator OFF).	Electronic gear selection is enabled when IN7 = OFF.
0008	8	If IN8 (CN2-10) = ON, input signal is enabled.	FWD rotation is inhibited when IN8 = ON (opt-isolator ON).	Electronic gear selection is enabled when IN8 = ON.
0108	264	If IN8 (CN2-10) = OFF, input signal is enabled.	FWD rotation is inhibited when IN8 = OFF (opt-isolator OFF).	Electronic gear selection is enabled when IN8 = OFF.

## 5-3 Details of input signals

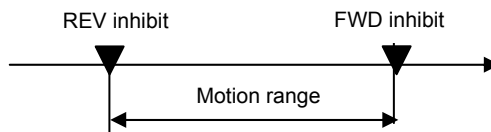
The following explains the details of input signals.  
For the signal logic, refer to P5-5.

P: Position control S: Speed control T: Torque control

Parameter No.	Signal name (Abbreviation)	Function	Default setting	Applicable control mode
—	Servo-ON (S-ON)	<p>When the servo ON signal is enabled while the following conditions are satisfied, the driver's servo circuit turns ON and the driver becomes ready:</p> <ol style="list-style-type: none"> <li>1. No servo alarm is present.</li> <li>2. [Warning 93: Main circuit voltage low] is not present.</li> </ol> <p>Disabling the servo-ON signal turns OFF the servo circuit.</p> <p>If the system parameter mode [SP55: DB enable/disable setting] is set to 1, the built-in dynamic brake turns ON.</p> <p><b>Caution</b></p> <p>The pin assignment of this signal is fixed. It is assigned to pin 2 and the logic is set to normally open.</p>	—	P.S.T
SP-00	Emergency stop (ESTOP)	<p>When this input signal is enabled, the servo turns OFF and [AL01: Emergency stop alarm] generates.</p> <p>If this signal is assigned to an input pin of CN2, the system operates according to the operation set by the ON/OFF state of the signal.</p> <p>If the system parameter mode [SP55: DB enable/disable setting] is set to 1 when the emergency stop signal is enabled, the built-in dynamic brake turns ON.</p> <p><b>Caution</b></p> <p>The emergency stop function is enabled even when the signal is not assigned to an input pin. If the signal logic is set for the normally closed without assigning emergency stop to an input pin, an emergency stop alarm generates when the driver power is turned ON and the alarm will remain active.</p>	0000	P.S.T
SP-01	Alarm reset (RESET)	<p>If a driver alarm generates, the alarm can be reset by the edge of this input signal.</p> <p>The alarm reset signal is effective only when the applicable alarm is resettable and the corresponding alarm condition has already been reset. For the resettable alarms, refer to [Alarm mode] (P7-8).</p> <p>The servo-ON signal must be input again before the system becomes ready.</p>	0002	P.S.T
SP-02	Deviation counter clear (CLEAR)	<p>If the driver is operating in the position control mode, the value of the deviation counter is added to the command counter at the edge of this input signal to clear the deviation counter to 0.</p>	0003	P

P: Position control S: Speed control T: Torque control

Parameter No.	Signal name (Abbreviation)	Function	Default setting	Applicable control mode
SP-03	FWD inhibit (FWD-IH)	This parameter sets the limit of moving in forward and reverse directions. When the FWD/REV inhibit signal is input, either forward or reverse rotation, whichever corresponds to the input signal, stops. The rotary drive corresponding to the input inhibit signal turns OFF. If pulse signals continue to be input in the inhibited direction, an excessive deviation alarm (AL60) will generate.	0104	P.S.T
SP-04	REV inhibit (REV-IH)		0105	



Also, for the position control and speed control, you can change the operation during the inhibit status to lock the servo using [SP65: FWD/REV inhibit operation].

**5**  
I/O signals



P: Position control S: Speed control T: Torque control

Parameter No.	Signal name (Abbreviation)	Function	Default setting	Applicable control mode																												
SP-05	FWD enable (FWD-EN)	<p>This parameter determines the rotary operation status of the actuator relative to the speed command value according to the input status of FWD/REV enable signals when the actuator is operating in the speed control mode.</p> <p>SP05 and SP06 statuses, speed command polarities (operation directions), and the operating statuses are shown in the table below.</p> <table border="1"> <thead> <tr> <th colspan="2">Signal input</th> <th rowspan="2">Selected speed command SP09 and SP10 external (analog) speed command input</th> <th rowspan="2">Operation direction Operating status</th> </tr> <tr> <th>FWD enable SP05</th> <th>REV enable SP06</th> </tr> </thead> </table>	Signal input		Selected speed command SP09 and SP10 external (analog) speed command input	Operation direction Operating status	FWD enable SP05	REV enable SP06	0006	S																						
Signal input		Selected speed command SP09 and SP10 external (analog) speed command input	Operation direction Operating status																													
FWD enable SP05	REV enable SP06																															
SP-06	REV enable (REV-EN)	<table border="1"> <tbody> <tr> <td rowspan="3">Enabled</td> <td rowspan="3">Enabled</td> <td>External speed command (positive voltage)</td> <td rowspan="3">Zero speed*</td> </tr> <tr> <td>External speed command (negative voltage)</td> </tr> <tr> <td>Internal speed command 1, 2 and 3</td> </tr> <tr> <td rowspan="3">Enabled</td> <td rowspan="3">Disabled</td> <td>External speed command (positive voltage)</td> <td>FWD rotation</td> </tr> <tr> <td>External speed command (negative voltage)</td> <td>REV rotation</td> </tr> <tr> <td>Internal speed command 1, 2 and 3</td> <td>FWD rotation</td> </tr> <tr> <td rowspan="3">Disabled</td> <td rowspan="3">Enabled</td> <td>External speed command (positive voltage)</td> <td>REV rotation</td> </tr> <tr> <td>External speed command (negative voltage)</td> <td>FWD rotation</td> </tr> <tr> <td>Internal speed command 1, 2 and 3</td> <td>REV rotation</td> </tr> <tr> <td rowspan="3">Disabled</td> <td rowspan="3">Disabled</td> <td>External speed command (positive voltage)</td> <td rowspan="3">Zero speed*</td> </tr> <tr> <td>External speed command (negative voltage)</td> </tr> <tr> <td>Internal speed command 1, 2 and 3</td> </tr> </tbody> </table> <p>*: One of two statuses can be selected for zero speed. Select one of the two operations for zero speed by enabling or disabling system parameter [SP52: Zero clamp setting].                      When zero clamp (SP52) is enabled: In the same way as the system switches to the position control mode, the actuator is forcibly stopped so that the position deviation becomes zero (current value is maintained). (Perform position control (positioning) at the position where the speed command value is zero.)                      When zero clamp (SP52) is disabled: The actuator stops when the speed command value is zero in the speed control mode. If external torque is input, the actuator may rotate because of the torque.</p>	Enabled	Enabled	External speed command (positive voltage)	Zero speed*	External speed command (negative voltage)	Internal speed command 1, 2 and 3	Enabled	Disabled	External speed command (positive voltage)	FWD rotation	External speed command (negative voltage)	REV rotation	Internal speed command 1, 2 and 3	FWD rotation	Disabled	Enabled	External speed command (positive voltage)	REV rotation	External speed command (negative voltage)	FWD rotation	Internal speed command 1, 2 and 3	REV rotation	Disabled	Disabled	External speed command (positive voltage)	Zero speed*	External speed command (negative voltage)	Internal speed command 1, 2 and 3	0007	
Enabled	Enabled	External speed command (positive voltage)			Zero speed*																											
		External speed command (negative voltage)																														
		Internal speed command 1, 2 and 3																														
Enabled	Disabled	External speed command (positive voltage)	FWD rotation																													
		External speed command (negative voltage)	REV rotation																													
		Internal speed command 1, 2 and 3	FWD rotation																													
Disabled	Enabled	External speed command (positive voltage)	REV rotation																													
		External speed command (negative voltage)	FWD rotation																													
		Internal speed command 1, 2 and 3	REV rotation																													
Disabled	Disabled	External speed command (positive voltage)	Zero speed*																													
		External speed command (negative voltage)																														
		Internal speed command 1, 2 and 3																														

P: Position control S: Speed control T: Torque control

**5**  
I/O signals

Parameter No.	Signal name (Abbreviation)	Function	Default setting	Applicable control mode																							
SP-07	FWD selection (FWD-SEL)	This parameter determines the operating status of the actuator relative to the torque command value according to the input status of FWD/REV selection signals while the actuator is operating in the torque control mode. If FWD/REV selection is assigned to a CN2 input pin with [SP07: FWD selection input setting] or [SP08: REV selection input setting], the operating status of the actuator is determined according to the set operation or whether the signal is enabled or disabled.	0006	T																							
SP-08	REV selection (REV-SEL)		<table border="1"> <thead> <tr> <th colspan="2">Signal input</th> <th colspan="2">Torque command voltage</th> </tr> <tr> <th>FWD selection</th> <th>REV selection</th> <th>+torque command</th> <th>-torque command</th> </tr> </thead> <tbody> <tr> <td>Enable</td> <td>Enable</td> <td>Zero torque</td> <td>Zero torque</td> </tr> <tr> <td>Enable</td> <td>Disable</td> <td>FWD torque generation</td> <td>REV torque generation</td> </tr> <tr> <td>Disable</td> <td>Enable</td> <td>REV torque generation</td> <td>FWD torque generation</td> </tr> <tr> <td>Disable</td> <td>Disable</td> <td>Zero torque</td> <td>Zero torque</td> </tr> </tbody> </table>		Signal input		Torque command voltage		FWD selection	REV selection	+torque command	-torque command	Enable	Enable	Zero torque	Zero torque	Enable	Disable	FWD torque generation	REV torque generation	Disable	Enable	REV torque generation	FWD torque generation	Disable	Disable	Zero torque
Signal input		Torque command voltage																									
FWD selection	REV selection	+torque command	-torque command																								
Enable	Enable	Zero torque	Zero torque																								
Enable	Disable	FWD torque generation	REV torque generation																								
Disable	Enable	REV torque generation	FWD torque generation																								
Disable	Disable	Zero torque	Zero torque																								
SP-09	Internal speed command selection 1 (SPD-SEL1)	The driver lets you select a rotation speed command input proportional to an external command voltage value or one of three internal speed command values that have been set. For internal speed commands, set desired motor shaft rotation speeds (r/min) in the tune mode parameters [AJ8, 9 and 10: internal speed commands 1, 2 and 3]. In the speed control mode, one of the external speed command and internal speed commands 1, 2 and 3 shown in the table below is selected according to the input status of internal speed command selections 1 and 2.	0000	S																							
SP-10	Internal speed command selection 2 (SPD-SEL2)		<table border="1"> <thead> <tr> <th>Internal speed command selection 1</th> <th>Internal speed command selection 2</th> <th>Selected speed command</th> </tr> </thead> <tbody> <tr> <td>Disable</td> <td>Disable</td> <td>External speed command</td> </tr> <tr> <td>Enable</td> <td>Disable</td> <td>Internal speed command 1</td> </tr> <tr> <td>Disable</td> <td>Enable</td> <td>Internal speed command 2</td> </tr> <tr> <td>Enable</td> <td>Enable</td> <td>Internal speed command 3</td> </tr> </tbody> </table>		Internal speed command selection 1	Internal speed command selection 2	Selected speed command	Disable	Disable	External speed command	Enable	Disable	Internal speed command 1	Disable	Enable	Internal speed command 2	Enable	Enable	Internal speed command 3	0000							
Internal speed command selection 1	Internal speed command selection 2	Selected speed command																									
Disable	Disable	External speed command																									
Enable	Disable	Internal speed command 1																									
Disable	Enable	Internal speed command 2																									
Enable	Enable	Internal speed command 3																									

P: Position control S: Speed control T: Torque control

Parameter No.	Signal name (Abbreviation)	Function	Default setting	Applicable control mode															
SP-11	Internal speed limit selection 1 (SPD-LMT1)	When the actuator is operating in the position control mode, the speed can be limited to the speed specified by an external speed command voltage or any of the speeds set in the tune mode parameters [Tune mode AJ8, 9 and 10: Internal speed command 1, 2 and 3]. The speed limit value is selected by internal speed limit selections 1 and 2.  <b>Speed control mode:</b> The speed limit value functions as a speed command.	0000	P															
SP-12	Internal speed limit selection 2 (SPD-LMT2)	When one of internal speed commands 1, 2 and 3 shown in the table below is selected by the input signals of internal speed command selections 1 and 2, the actuator operates at the selected speed.  <b>Position control mode:</b> The speed limit value functions as a speed limit.  Selected statuses of internal speed limit selections 1 and 2 and internal speed commands 1, 2 and 3 <table border="1" data-bbox="536 891 1114 1339"> <thead> <tr> <th>Internal speed limit selection 1</th> <th>Internal speed limit selection 2</th> <th>Selected speed command</th> </tr> </thead> <tbody> <tr> <td>Disable</td> <td>Disable</td> <td>The speed is limited according to the external speed command value.*</td> </tr> <tr> <td>Enable</td> <td>Disable</td> <td>The speed is limited according to internal speed command 1.</td> </tr> <tr> <td>Disable</td> <td>Enable</td> <td>The speed is limited according to internal speed command 2.</td> </tr> <tr> <td>Enable</td> <td>Enable</td> <td>The speed is limited according to internal speed command 3.</td> </tr> </tbody> </table>	Internal speed limit selection 1	Internal speed limit selection 2	Selected speed command	Disable	Disable	The speed is limited according to the external speed command value.*	Enable	Disable	The speed is limited according to internal speed command 1.	Disable	Enable	The speed is limited according to internal speed command 2.	Enable	Enable	The speed is limited according to internal speed command 3.	0000	
Internal speed limit selection 1	Internal speed limit selection 2	Selected speed command																	
Disable	Disable	The speed is limited according to the external speed command value.*																	
Enable	Disable	The speed is limited according to internal speed command 1.																	
Disable	Enable	The speed is limited according to internal speed command 2.																	
Enable	Enable	The speed is limited according to internal speed command 3.																	

\*: When the system parameter [SP56: External speed limit] is set to 1 (enable). If this parameter is set to 0 (disable), speed limit is not performed.

P: Position control S: Speed control T: Torque control

**5**  
I/O signals

Parameter No.	Signal name (Abbreviation)	Function	Default setting	Applicable control mode																	
SP-13	Torque limit (TRQ-LMT)	<p>The driver can limit the output torque to the value set in the tune parameter mode [Tune mode AJ11: Torque limit] or below in all control modes.</p> <p>If this signal is assigned to CN2, the actuator's output torque is limited according to the set operation based on whether the signal is enabled or disabled.</p> <table border="1"> <thead> <tr> <th>Torque limit input</th> <th>Control modes</th> <th>Operation</th> </tr> </thead> <tbody> <tr> <td rowspan="3">Disable</td> <td>Position control</td> <td>The torque is limited to the external torque limit.*</td> </tr> <tr> <td>Speed control</td> <td>The torque is limited to the external torque limit.*</td> </tr> <tr> <td>Torque control</td> <td>The torque is not limited.</td> </tr> <tr> <td rowspan="3">Enable</td> <td>Position control</td> <td>The torque is limited to the set torque limit value.</td> </tr> <tr> <td>Speed control</td> <td>The torque is limited to the set torque limit value.</td> </tr> <tr> <td>Torque control</td> <td>The torque is limited to the set torque limit value.</td> </tr> </tbody> </table> <p>*: When system parameter mode 3 [SP57: External torque limit enable/disable] is set to 1 (enable). If this parameter is set to 0 (disable), torque limit is not performed.</p>	Torque limit input	Control modes	Operation	Disable	Position control	The torque is limited to the external torque limit.*	Speed control	The torque is limited to the external torque limit.*	Torque control	The torque is not limited.	Enable	Position control	The torque is limited to the set torque limit value.	Speed control	The torque is limited to the set torque limit value.	Torque control	The torque is limited to the set torque limit value.	0000	P.S.T
Torque limit input	Control modes	Operation																			
Disable	Position control	The torque is limited to the external torque limit.*																			
	Speed control	The torque is limited to the external torque limit.*																			
	Torque control	The torque is not limited.																			
Enable	Position control	The torque is limited to the set torque limit value.																			
	Speed control	The torque is limited to the set torque limit value.																			
	Torque control	The torque is limited to the set torque limit value.																			
SP-14	Electronic gear selection (G-SEL)	<p>The driver has 2 types of built-in electronic gear functions to allow the actuator resolution to be changed electrically during position control. If this signal is assigned to CN2, you can select one of 2 built-in electronic gears according to the set operation or whether the signal is ON or OFF. The electronic gear selection function is enabled even when the signal is not assigned to CN2.</p> <table border="1"> <thead> <tr> <th>Electronic gear selection input</th> <th>Operation</th> </tr> </thead> <tbody> <tr> <td>Disable</td> <td>Electronic gear 1 is selected.</td> </tr> <tr> <td>Enable</td> <td>Electronic gear 2 is selected.</td> </tr> </tbody> </table> <p>Electronic gear 1 is determined by the values set in the system parameters SP44 and SP45.                      Electronic gear 2 is determined by the values set in the system parameters SP46 and SP47.                      For details, refer to [SP44 to 47: Electronic gear setting](P8-6).</p>	Electronic gear selection input	Operation	Disable	Electronic gear 1 is selected.	Enable	Electronic gear 2 is selected.	0000	P											
Electronic gear selection input	Operation																				
Disable	Electronic gear 1 is selected.																				
Enable	Electronic gear 2 is selected.																				

P: Position control S: Speed control T: Torque control

Parameter No.	Signal name (Abbreviation)	Function	Default setting	Applicable control mode																		
SP-15	Control mode selection (CON-SEL)	<p>The driver can operate in one of three control modes of position control, speed control and torque control. With this parameter, you can switch between the 2 control modes that have been selected from the 3 control modes via the system parameter [SP41: Control mode switching setting]. The control mode selection function is enabled even when the signal is not assigned to CN2.</p> <table border="1"> <thead> <tr> <th>System parameter SP41 Set value of control mode selection</th> <th>Control modes selection</th> <th>Operation</th> </tr> </thead> <tbody> <tr> <td rowspan="2">0</td> <td>Disable</td> <td>Position control</td> </tr> <tr> <td>Enable</td> <td>Speed control</td> </tr> <tr> <td rowspan="2">1</td> <td>Disable</td> <td>Position control</td> </tr> <tr> <td>Enable</td> <td>Torque control</td> </tr> <tr> <td rowspan="2">2</td> <td>Disable</td> <td>Speed control</td> </tr> <tr> <td>Enable</td> <td>Torque control</td> </tr> </tbody> </table> <p><b>Caution</b> To switch the operation to the position control mode and other control mode, after the control mode signal has been input, the zero speed judgment value is enabled first and then the actual operation mode is switched.</p>	System parameter SP41 Set value of control mode selection	Control modes selection	Operation	0	Disable	Position control	Enable	Speed control	1	Disable	Position control	Enable	Torque control	2	Disable	Speed control	Enable	Torque control	0008	P.S.T
System parameter SP41 Set value of control mode selection	Control modes selection	Operation																				
0	Disable	Position control																				
	Enable	Speed control																				
1	Disable	Position control																				
	Enable	Torque control																				
2	Disable	Speed control																				
	Enable	Torque control																				
SP-16	Position command disable (INHIBIT)	While the driver is operating in the position control mode, the command pulse currently input becomes disabled when the INHIBIT signal input is enabled.	0000	P																		

# 5-4 Inputs in each control mode

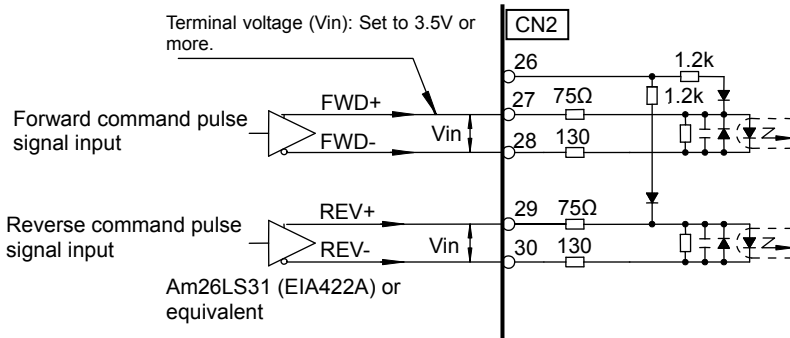
The following explains the input signals corresponding to pins 26 to 34 of the CN2 connector for each control mode (position command mode, speed command mode, and torque command mode).

## Position command mode

### Pulse train input connection pattern and power supply voltage

This parameter selects line driver connection, +24V input voltage or +5V open collector. The driver has no internal power supply built in for input signals. Provide an external power supply.

- **Line collector type**

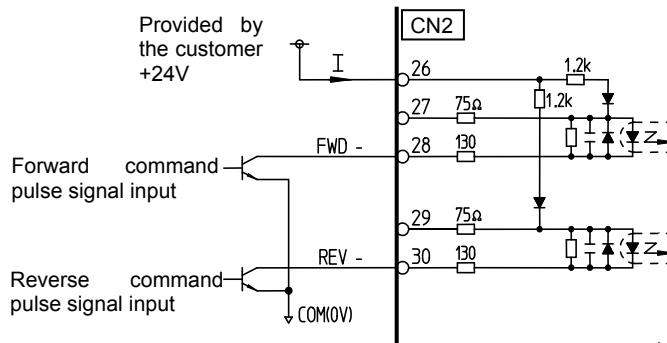


### Caution

- Use a line driver conforming to the EIA-422A standard. If a line driver conforming to other standard is used, the system may not operate correctly. In such cases, consult us on technical details.

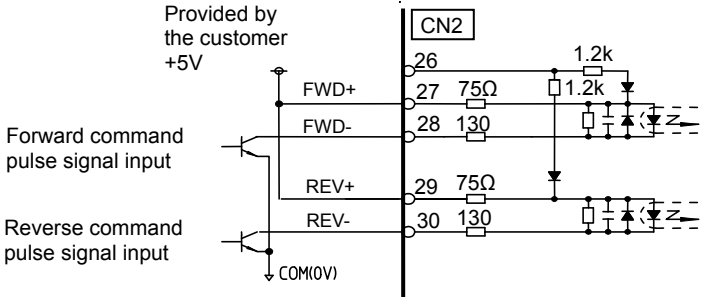
- **Open collector type**  
**24V**

Supply voltage: +24V ± 10%  
Input current (I): 16 mA, standard (20 mA or less)



**5V**

Supply voltage: +5V ± 10%  
Input current (I): 16 mA, standard (20 mA or less)



**Caution**

- If necessary, provide an external-current limiting resistor for each input signal (FWD- and REV-).
- With drivers of open collector type, the maximum response frequency is 200kHz and duty is 50% ± 10%. Since the noise resistance drops compared to drivers of line collector type, use of drivers of line collector type is recommended whenever possible.

**Pulse input system**

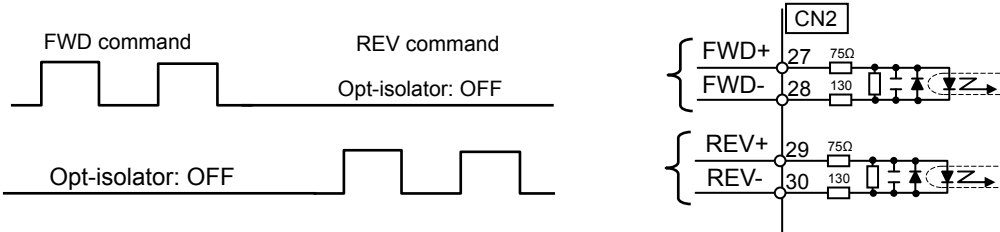
3 input command signal patterns of 2-pulse train, single-pulse train and 2-phase pulse train are available.  
Set a desired pattern according to [SP42: Command pulse input pattern setting] (P8-5).

**Caution**

- Even when a command pulse is input, the pulse will be ignored if the actuator's servo is OFF.

**(1) 2-pulse train (FWD/REV pulse train)**

The FWD command is input to the FWD port, while the REV command is input to the REV port.

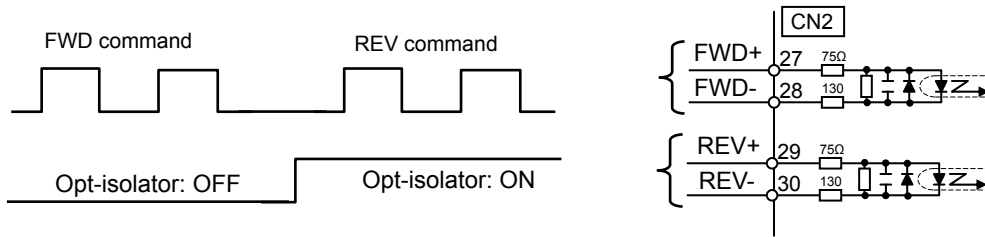


**Caution**

- Use the negative logic for command pulse signals. A negative logic circuit determines a condition of low voltage level (OFF) as 1 and that of high voltage level (ON) as 0. If [2-pulse train] is selected, the opt-isolator to which no pulse is input should be in OFF state. In ON status, pulses are ignored.

**(2) Single-pulse train (code + pulse train)**

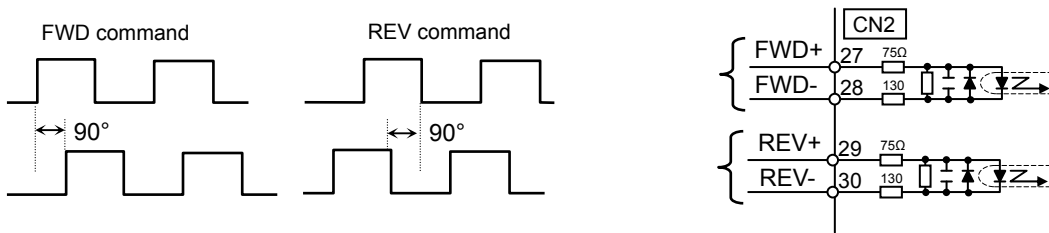
Command pulses are input to the FWD port only, and only the code indicating the rotation direction is input to the REV port.



**(3) 2-phase pulse train (2-phase pulse train with 90° phase difference)**

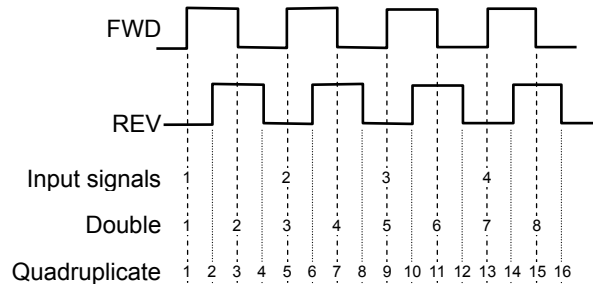
For the FWD command, the pulse input to the FWD port has a phase advanced by 90° relative to the pulse input to the REV port.

For the REV command, the pulse input to the REV port has a phase advanced by 90° relative to the pulse input to the FWD port.



**Input signal multiplication**

With 2-phase pulse train input signals, the input signal can be multiplied to double or quadruple the number of movement pulses relative to 1 input signal pulse. Set a desired multiplication using [SP43: Multiplication of 2-phase input setting] (P8-5).

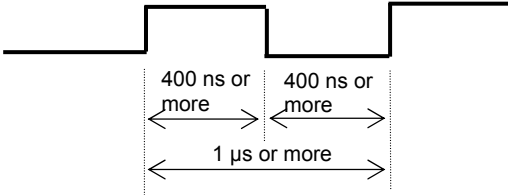




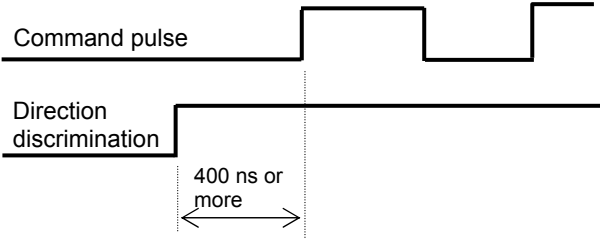
**Pulse time condition**

For command pulses, input those satisfying the following conditions.

- The maximum response frequency of the HA-800A's command pulse input circuit is 1MHz (or 200kHz if the 2-phase pulse train or open collector is selected). Input command pulses within a duty range of  $50 \pm 10\%$ .



- If the single-pulse train is selected, command pulses in the specified direction should be input at least 400 ns after the direction discrimination signal has been input.

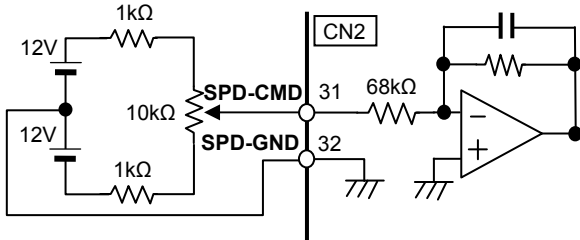


## Speed command mode

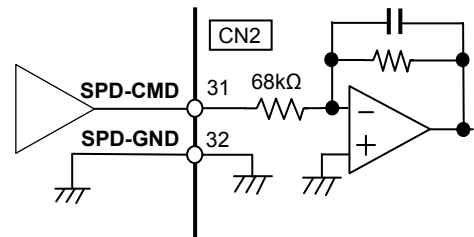
### Example of speed command input circuit

Input impedance: 68kΩ

◆ Example of command using a variable resistor



◆ Example of command using an operation amplifier



### Setting

Input speed commands using voltage values. The motor rotation speed and speed command voltage are determined according to the value set in [SP51: Speed input factor].

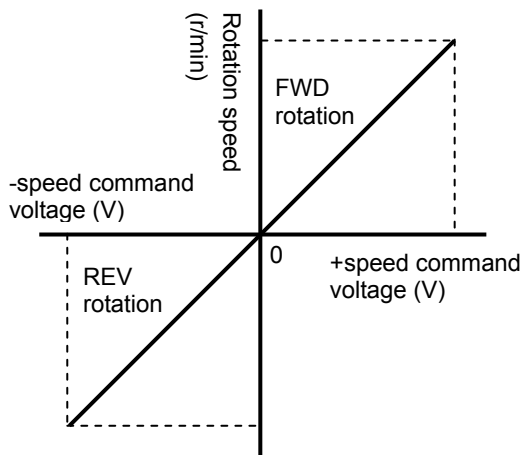
$$\text{Motor rotation speed} = \text{Speed command voltage} \times \frac{\text{Speed input factor}}{10.0\text{V}}$$

This parameter specifies the motor rotation direction based on the positive (+) or negative (-) polarity of the speed command voltage and input signals of [FWD enable: FWD-EN] and [REV enable: REV-EN].

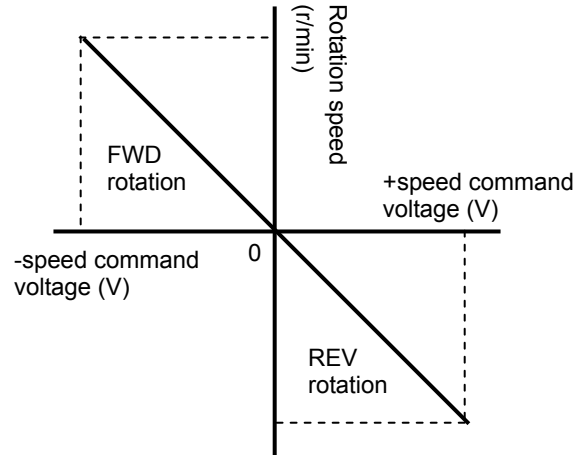
### Caution

- The value of the speed input factor has been set as a default according to the maximum rotation speed of the actuator combined with the driver.
- The permissible maximum rotation speed varies depending on the actuator. The speed input factor has been set as a default to the maximum value permitted by the motor shaft. For details, refer to [Driver ratings and specifications] (P1-7).

FWD enable is enabled



REV enable is enabled



## Torque command mode

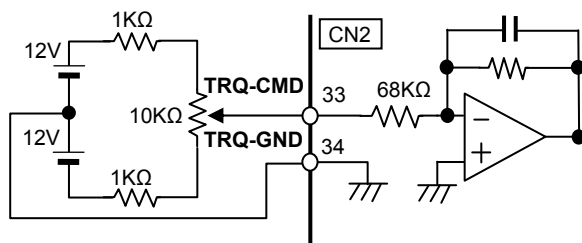


Torque commands control the motor torque. The output torque of the actuator is subject to a harmonic speed reducer loss of 20 to 30%. If the actuator's torque must be controlled accurately, provide a control system that uses a torque sensor on the output shaft.

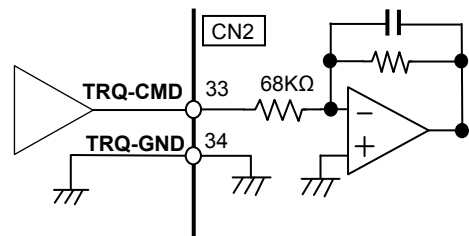
### Example of torque command input circuit

Input impedance: 68kΩ

◆ Example of command using a variable resistor



◆ Example of command using an operation amplifier



### Setting

Input torque commands using voltage values. The motor output torque and torque command voltage are determined according to the value set in [SP53: Torque input factor].

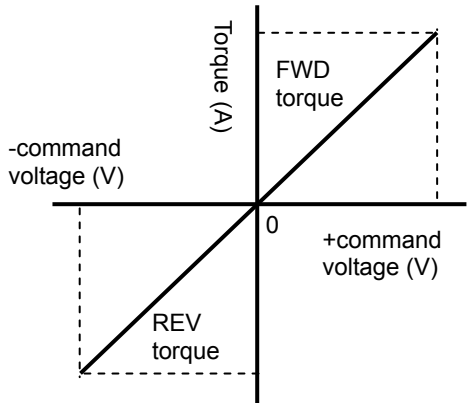
$$\text{Output torque (\%)} = \text{Torque command voltage} \times \frac{\text{Torque input factor}}{10.0\text{V}}$$

This parameter specifies the motor torque direction based on the positive (+) or negative (-) polarity of the torque command voltage and [FWD selection: FWD-SEL] or [REV selection: REV-SEL].

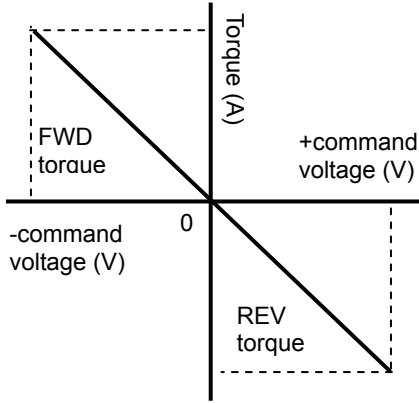
### Caution

- The value of the torque input factor has been set as a default according to the maximum torque of the actuator combined with the driver.
- The permissible maximum rotation speed varies depending on the actuator. The speed input factor has been set as a default to the maximum value permitted by the motor shaft. Refer to [Driver ratings and specifications] (P1-7).

FWD selection is enabled



REV selection is enabled



5

I/O signals

## 5-5 Output signals: System parameter SP20 to SP26

The following explains the details of output signals.

The output signals are explained in the order of pin numbers of CN2. Desired output signals can be set to pin No. 16 to 22 using the settings of system parameters SP-20 to SP-26. For details, refer to [Details of output signals] (P5-25).

### ● CN2 connector (output)

Pin No.	Signal	Available parameter No.	
		parameter No.	Default setting (PSF-800) *
16	Output 1 (operation preparation complete)	SP-20	0001(1)
17	Output 2 (servo-ON input enable)	SP-21	0002(2)
18	Output 3 (alarm output)	SP-22	0103(259)
19	Output 4 (in-position complete)	SP-23	0004(4)
20	Output 5 (torque limiting output)	SP-24	0008(8)
21	Output 6 (zero speed output)	SP-25	0009(9)
22	Output 7 (warning output)	SP-26	0021(21)
23	Phase Z open collector output	—	
24	Output signal common	—	
25	Output signal common	—	
40	Current command value output+ (LD)	—	
41	Current command value output- (LD)	—	
42	Phase output-A+ (LD)	—	
43	Phase output-A- (LD)	—	
44	Phase output-B+ (LD)	—	
45	Phase output-B- (LD)	—	
46	Phase output-Z+ (LD)	—	
47	Phase output-Z- (LD)	—	
48	Monitor COM	—	
49	Ground	—	
50	Ground	—	

One of 22 signals can be assigned as desired.

5

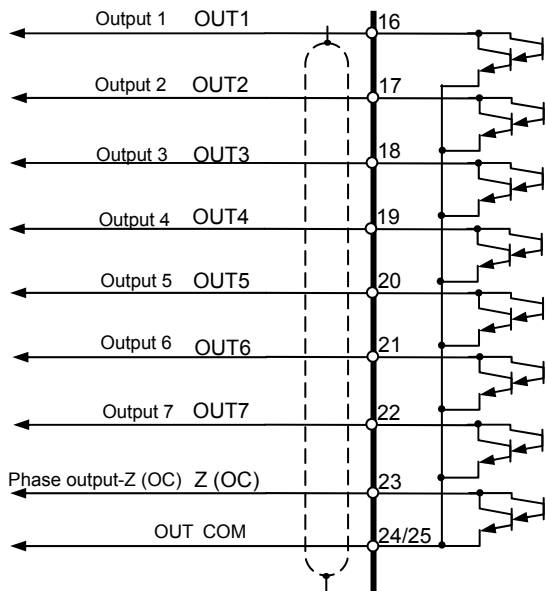
I/O signals

\* Values in parentheses ( ) are ones when PSF-800 parameters are displayed.

## Output signal connection circuit

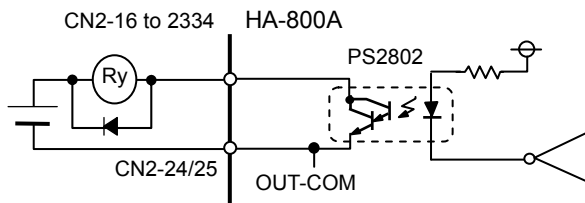
### Specifications of output ports

Open-collector output opt-isolator insulation  
 Voltage: DC24V or less  
 Current: 40 mA or less/port



### How to connect

Connect an output signal between each output port and [CN2-24/25: Output signal common OUT-COM].



### Output signal function (logic)

- **Function (logic) definition**

		Transistor output signal status	
		Transistor ON	Transistor OFF
Logic setting	00	Enable	Disable
	01	Disable	Enable

Enabled: The function of the output signal is enabled.  
 Disabled: The function of the output signal is disabled.

- **How to change function (logic)**

Input signal functions can be changed using system parameters or servo parameter setting software PSF. For the operation method of the setting software PSF, refer to [Chapter 10 Communication software].

## Output signal list

The output signals that can be assigned to outputs 1 to 7 are explained below. The signals that can be used are limited by the number of connector pins. Accordingly, select desired signals and assign them to output pins if you wish to use signals other than signals set as default. For the setting method, refer to [Chapter 8 System parameter mode].

Set value		Signal name	Abbreviation	Applicable control mode	Default setting	
Logic specification	Signal specification				Assigned pin	Logic
00 / 01	00	No assignment				
00 / 01	01	Operation preparation complete	READY	P.S.T	16	Normally open
00 / 01	02	Servo ON input enable	S-READY	P.S.T	17	Normally open
00 / 01	03	Alarm	ALARM	P.S.T	18	Normally closed
00 / 01	04	In-position complete	IN-POS	P	19	Normally open
00 / 01	05	Attained speed	HI-SPD	P.S.T	—	—
00 / 01	06	Attained torque	HI-TRQ	P.S.T	—	—
00 / 01	07	Speed limiting	SLMT-OUT	P	—	—
00 / 01	08	Torque limiting	TLMT-OUT	P.S	20	Normally open
00 / 01	09	Zero speed	ZERO-SPD	P.S.T	21	Normally open
00 / 01	10	Control mode	CNT-MOD	P.S.T	—	—
00 / 01	11	DB status output	DB-OUT	P.S.T	—	—
00 / 01	12	Alarm code 1	ALM-COD1	P.S.T	—	—
00 / 01	13	Alarm code 2	ALM-COD2	P.S.T	—	—
00 / 01	14	Alarm code 3	ALM-COD3	P.S.T	—	—
00 / 01	15	Battery voltage low	BAT-LOW	P.S.T	—	—
00 / 01	16	Overload status	OVL-OUT	P.S.T	—	—
00 / 01	17	Cooling fan stopped	FAN-STP	P.S.T	—	—
00 / 01	18	Main circuit voltage low	PWR-LOW	P.S.T.	—	—
00 / 01	19	FWD inhibit input effective	FIB-OUT	P.S.T	—	—
00 / 01	20	REV inhibit input effective	RIB-OUT	P.S.T	—	—
00 / 01	21	Warning		P.S.T	22	Normally open

### Caution

- \*1: The cooling fan stop output function is available only for HA-800A-6.
- \*2: The DB status output function is available only for HA-800A-1/3/6.

## 5-6 Details of output signals

The following explains the output signals assigned to outputs 1 to 7 (pins 16 to 22 of CN2).

Set value	Signal name (Abbreviation)	Function	Applicable control mode
01	Operation preparation complete (READY)	This is an operation preparation complete signal output of the driver. When the driver's servo-ON signal input is enabled without any causes of alarm, the operation preparation complete signal is also enabled. If the servo-ON signal is disabled, this signal is also disabled. When an alarm generates, this is disabled and the servo becomes free.	P.S.T
02	Servo ON input enable (S READY)	This signal indicates that the driver is free from alarms and the servo-ON signal can be input. This signal is disabled when an alarm is present.	P.S.T
03	Alarm (ALARM)	This signal is output in an alarm condition where the driver has detected an error. The servo becomes free.	P.S.T
04	In-position complete (IN-POS)	This signal indicates that the deviation counter value is inside the values set in the tune mode [AJ04: In-position range] (set value+ to set value-). The driver only monitors the status of deviation counter and this signal does not affect the servo control directly.	P
05	Attained speed (HI-SPD)	This signal indicates that the motor rotation speed has reached or exceeded the value set in the tune mode [AJ05: Attained speed judgment value]. The driver only monitors the status of attained speed and this signal does not affect the servo control directly.	P.S.T
06	Attained torque (HI-TRQ)	This signal indicates that the actuator's output torque has reached or exceeded the value set in the tune mode [AJ06: Attained torque judgment value]. The driver only monitors the attained torque status and this signal does not affect the servo control directly.	P.S.T
07	Speed limiting (SLMT-OUT)	This signal indicates that the motor speed is limited to the speed limit selected by the internal speed limits 1 and 2 inputs.	P
08	Torque limiting (TLMT-OUT)	This signal indicates that the actuator's torque is limited by an internal torque limit input or external torque limit input.	P.S
09	Zero speed (ZERO-SPD)	This signal indicates that the motor rotation speed has dropped to or below the speed set in the tune mode [AJ07: Zero speed judgment value]. Control mode change from position control to other control, or from other control mode to position control, is prohibited unless the zero speed output is enabled.	P.S.T
10	Control modes (CNT-MOD)	The signal that has been input to the control mode input signal is output.	P.S.T
11	Dynamic brake actuated (DB-OUT)	This signal indicates that the dynamic brake is operated when system parameter mode 3 [SP55: Dynamic brake enable/disable] is set to 01 (enable). This is actuated when the power is cut OFF, servo is turned OFF or an alarm or warning [93: Main circuit voltage low] generates.	P.S.T



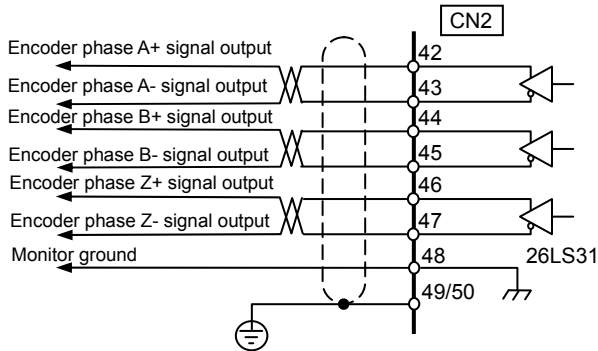
Set value	Signal name (Abbreviation)	Function	Applicable control mode									
12	Alarm code 1 (ALM-COD1)	When a driver alarm or warning is present, whether it is an alarm or warning is output using a 3-bit code. Alarm code output 1 outputs the LSB of this 3-bit code.	P.S.T									
13	Alarm code 2 (ALM-COD2)											
14	Alarm code 3 (ALM-COD3)											
15	Battery voltage low (BAT-LOW)	When an absolute encoder is combined, this signal indicates that the multi revolution data backup voltage is low. For details, refer to the table below.	P.S.T									
		<table border="1"> <thead> <tr> <th>Encoder</th> <th>Voltage low detection condition</th> <th>Recovery condition</th> </tr> </thead> <tbody> <tr> <td>13-bit absolute encoder</td> <td>The backup battery voltage is 2.8V or less.</td> <td>The backup battery voltage has become 3.00V or more.</td> </tr> <tr> <td>17-bit absolute encoder</td> <td>SHA series: The voltage of the encoder's multi revolution data backup circuit is 3.1V or less FHA-Cmini series: The voltage of the backup battery is 3.1V or less.</td> <td>SHA series: When the voltage of the encoder's multi revolution data backup circuit was 3.1V or more, alarms are cleared and the encoder power supply has been reconnected. FHA-Cmini series: The voltage of the backup battery is 3.1V or more.</td> </tr> </tbody> </table>		Encoder	Voltage low detection condition	Recovery condition	13-bit absolute encoder	The backup battery voltage is 2.8V or less.	The backup battery voltage has become 3.00V or more.	17-bit absolute encoder	SHA series: The voltage of the encoder's multi revolution data backup circuit is 3.1V or less FHA-Cmini series: The voltage of the backup battery is 3.1V or less.	SHA series: When the voltage of the encoder's multi revolution data backup circuit was 3.1V or more, alarms are cleared and the encoder power supply has been reconnected. FHA-Cmini series: The voltage of the backup battery is 3.1V or more.
		Encoder		Voltage low detection condition	Recovery condition							
13-bit absolute encoder	The backup battery voltage is 2.8V or less.	The backup battery voltage has become 3.00V or more.										
17-bit absolute encoder	SHA series: The voltage of the encoder's multi revolution data backup circuit is 3.1V or less FHA-Cmini series: The voltage of the backup battery is 3.1V or less.	SHA series: When the voltage of the encoder's multi revolution data backup circuit was 3.1V or more, alarms are cleared and the encoder power supply has been reconnected. FHA-Cmini series: The voltage of the backup battery is 3.1V or more.										
16	Overload status (OVL-OUT)	This signal indicates that the actuator is operating in an overload status and that if the operation is continued in this condition, an overload alarm may generate. The overload status output indicates that the overload rate is 50% or more where 100% indicates a condition where an overload alarm is present. The alarm will be reset automatically when the overload rate drops to 50% or below.	P.S.T									
17	Cooling fan stopped (FAN-STP)	This signal indicates that the cooling fan is stopped for some reason. If operation is continued with the cooling fan stopped, the HA-800 driver temperature may rise and the product life will decrease or an unexpected accident may occur. Remove the cause of stopping as soon as possible. This function is available only for HA-800-6.	P.S.T									
18	Main circuit voltage low (PWR-LOW)	This signal indicates that the main circuit voltage has dropped to the level specified below: Input voltage specification = 200V: Approx. DC220V or less Input voltage specification = 100V: Approx. DC100V or less	P.S.T									
19	FWD inhibit status (FIB-OUT)	This signal indicates that the FWD inhibit input is enabled and FWD rotation is inhibited. The FWD inhibit status output will be disabled once the cause that enabled the FWD inhibit input is removed.	P.S.T									
20	REV inhibit status (RIB-OUT)	This signal indicates that the REV inhibit input is enabled and REV rotation is inhibited. The REV inhibit status output will be disabled once the cause that enabled the REV inhibit input is removed.	P.S.T									
21	Warning (WARNING)	It is output in warning status. The warning output will be disabled once the cause of the warning status is removed.	P.S.T									
22	Phase Z (OC) (Z)	The encoder's phase Z pulse signal is output in via an open collector. This signal is output only by 1 pulse per motor revolution. The signal may be used with the origin sensor signal of an automatic mechanism to recognize the accurate origin position, etc.	P.S.T									

# 5-7 Monitor output

The following explains how to output the encoder signal monitor output and current value output signals from the CN2 connector and speed, current analog monitor and status digital monitor signals from the CN9 connector.

## Encoder output

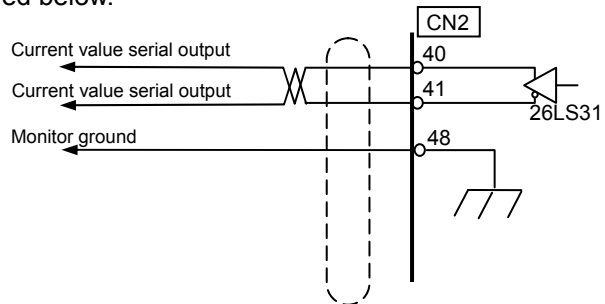
The encoder's phase A, B, and Z signals are output via a line driver (26LS31). Receive the signals by a line receiver (AM26LS32 or equivalent).



## Current value output

The value of the command counter is divided into 8 frames and output serially via a line driver (26LS31). The output specification is explained below.

Output format	Start-stop
Communication speed	9,600 bps
Stop bit	1 bit
Data length	8 bits
Parity bit	Even parity
Format	LSB first



## Transfer format

Output format (Example: The current value is 1234567 (12D687h))

Bit 0	Bit 1	Bit 2	Bit 3	Bit 4	Bit 5	Bit 6	Bit 7	
1	1	1	0	1	0	0	0	The lower 4 bits indicate data. Data is expressed by binary codes. The upper 4 bits indicate the order of data. In this case, the transmitted current value is 0012 D687h, so 7 indicates 0th, while 0 indicates 7th.
0	0	0	1	0	1	0	0	
0	1	1	0	1	1	0	0	
1	0	1	1	0	0	1	0	
0	1	0	0	1	0	1	0	
1	0	0	0	0	1	1	0	
0	0	0	0	1	1	1	0	
0	0	0	0	0	0	0	1	

Receive the signals using a line receiver (AM26LS32 or equivalent).

## Caution

- Use an EIA-422A compliant line receiver.

## Analog waveform monitoring

Monitored analog speed/current waveforms can be output from the CN9 connector. An optional monitor cable is available for observing waveforms using an oscilloscope.

Model code: EWA-MON01-JST4

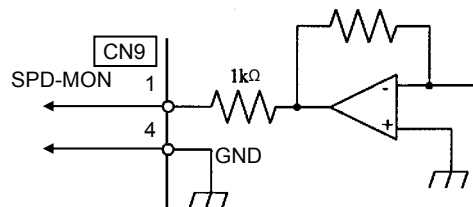
### Speed monitor: SPD-MON

The port outputs a voltage signal proportional to the motor rotation speed (speed input factor per 10V). The relationship of output voltage and rotation speed is determined by the value set in [SP51: Speed input factor] (For details, refer to P8-8). Take note that the output remains unstable after the power is input until the [Operation preparation complete: READY] signal is output. Take note that the output remains unstable after the power is input until the [Servo-ON input enable: SREADY] signal is output. (A maximum of approx. ±15V may be output.)

$$\text{Motor rotation speed (r/min)} = \text{Speed monitor output voltage} \times \frac{\text{Speed input factor}}{10.0\text{V}}$$

- **Specifications**

Output voltage range: -10 to +10V  
Output impedance: 1kΩ



- **Connection method**

Plug the connector for the optional monitor cable (EWA-MON01-JST4) into CN9 and check the waveform between [CN9-1 speed monitor: SPD-MON] and [CN9-4 monitor ground: GND] using an oscilloscope.

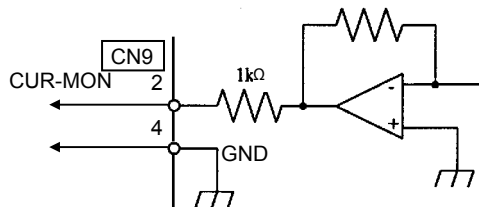
### Current monitor: CUR-MON

The motor current is output as voltage. The voltage is output based on the maximum motor current being +10V. Take note that the output remains unstable after the power is input until the [Servo-ON input enable: SREADY] signal is output. (A maximum of approx. ±15V may be output.)

$$\text{Current monitor output voltage (V)} = \text{Actuator current} \times \frac{10.0\text{V}}{\text{Max. current}}$$

- **Specifications**

Output voltage range: -10 to +10V  
Output impedance: 1kΩ



- **How to connect**

Plug the supplied connector into CN9 and check the waveform between [CN9-2 current monitor: CUR-MON] and [CN9-4 monitor ground: GND] using an oscilloscope.

## Digital signal monitor

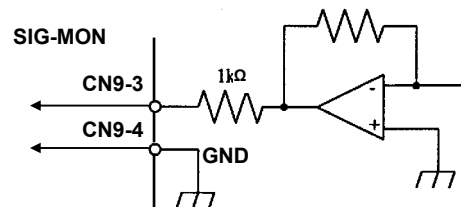
The signal waveform set in [SP40: CP3 output signal setting] (For details, refer to P8-4) is output. The output voltage is 0V for Low and 3.3V for High. Take note that the output remains unstable after the power is input until the [Servo-ON input enable: SREADY] signal is output.

### Signal monitor: SIG-MON

- **Specifications**

Output voltage range: 0 or 3.3V

Output impedance: 1k $\Omega$

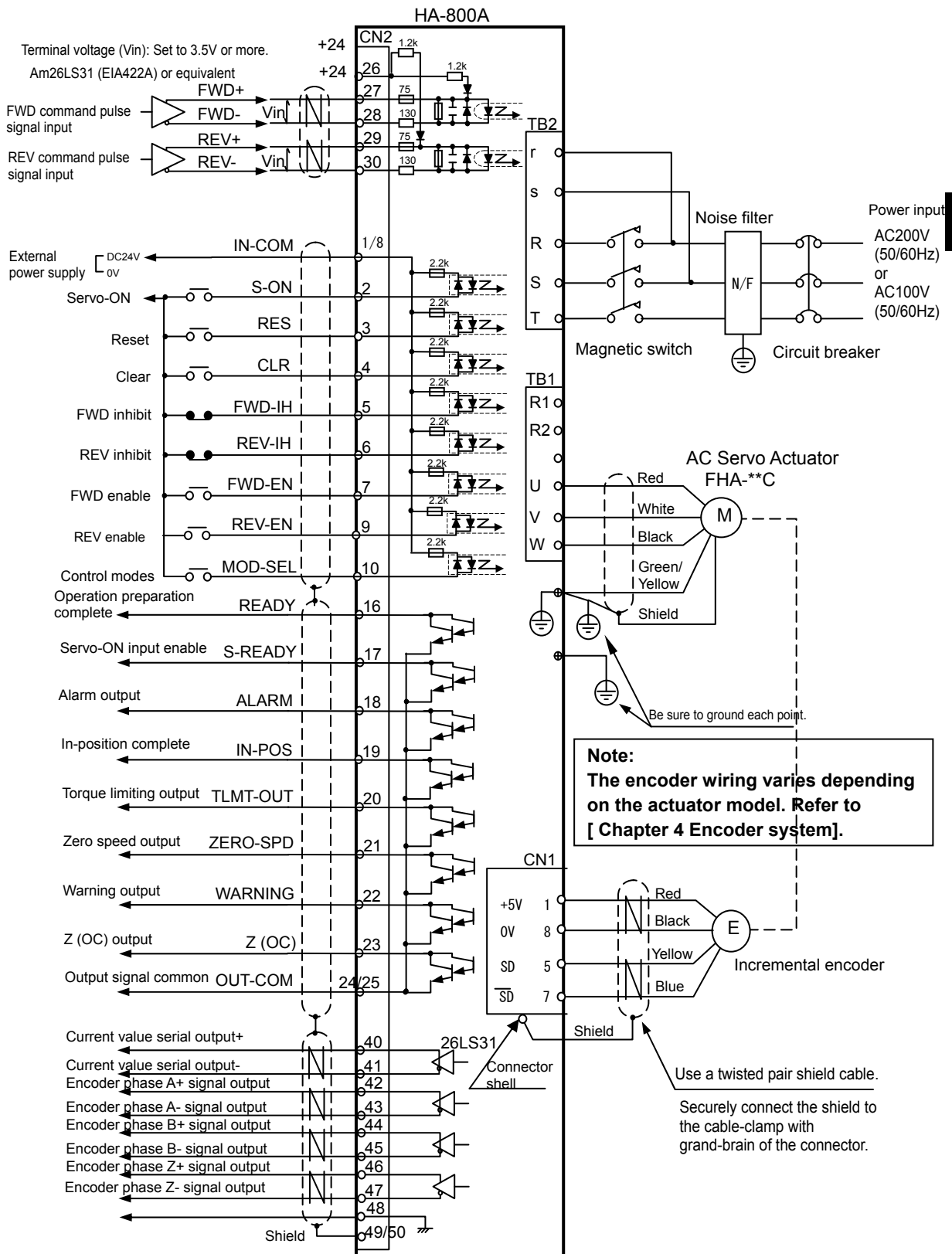


- **How to connect**

Plug the supplied connector into CN9 and check the waveform between [CN9-3 signal monitor: SIG-MON] and [CN9-4 monitor ground: GND] using an oscilloscope.

# 5-8 Connection example in control mode

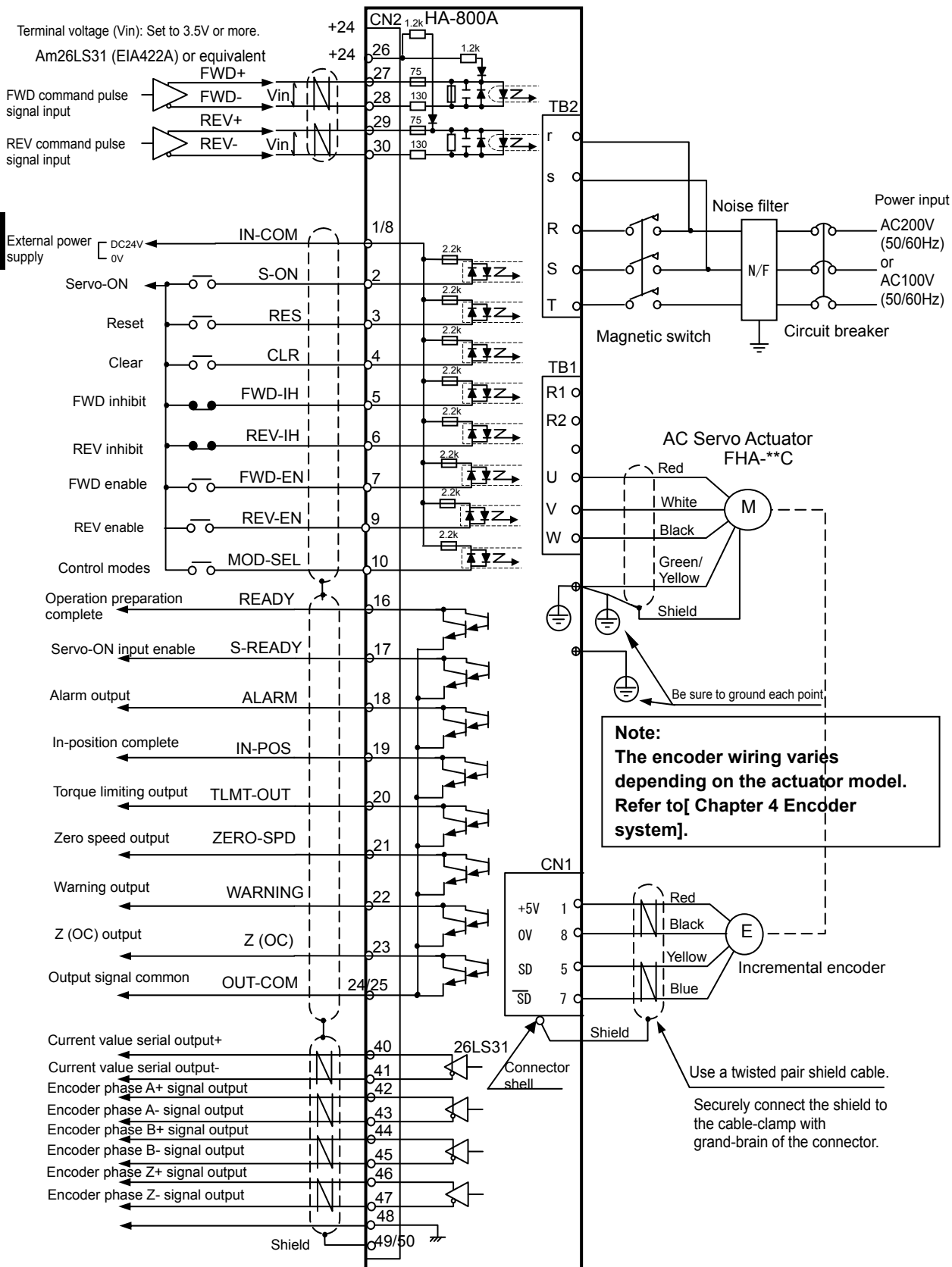
## Connection example with default settings



## Connection example in position control mode

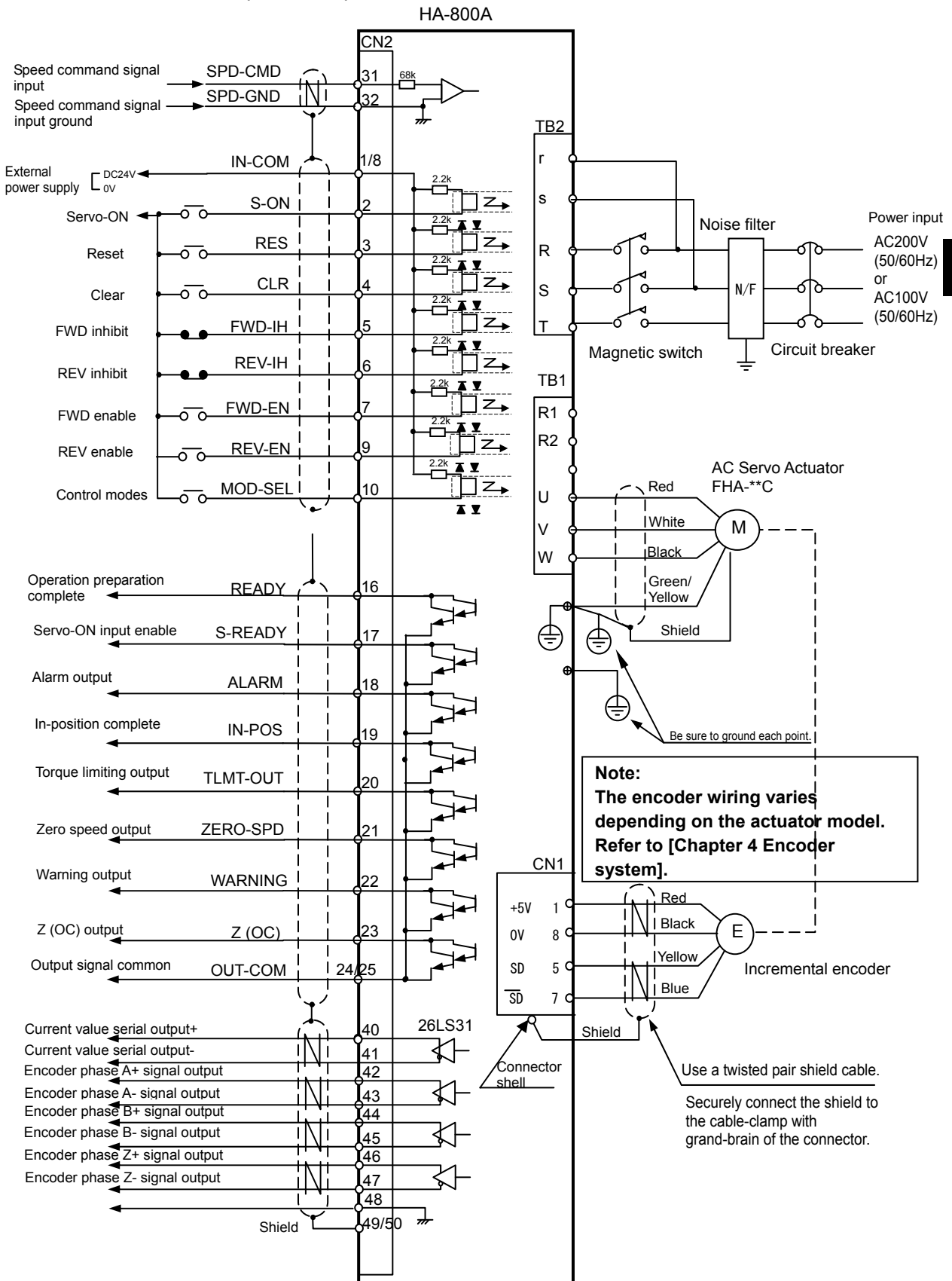
The line driver command pattern in the position control mode is shown in the connection example for 2-pulse train.

5 I/O signals



# Connection example in speed control mode

A connection example in the speed control mode is shown.



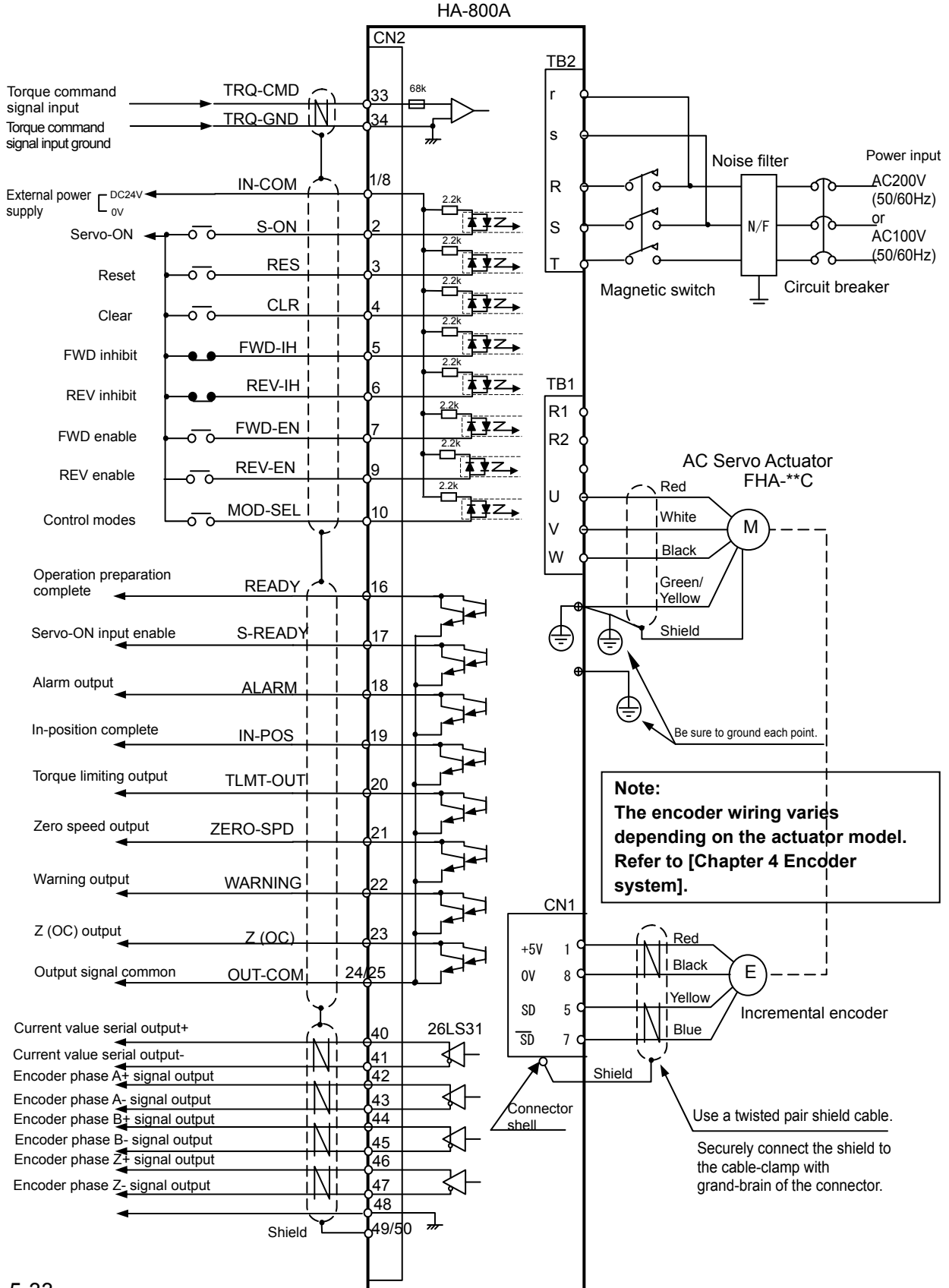
**Note:**  
The encoder wiring varies depending on the actuator model. Refer to [Chapter 4 Encoder system].

# Connection example in torque control mode

A connection example in the torque control mode is shown.

5

I/O signals





# Chapter 6

## Panel display and operation

---

How to operate the display, operation buttons on the driver's front panel and overview of operation in each mode is explained in this chapter.

---

6-1	Operating display panel.....	6-1
-----	------------------------------	-----

## 6-1 Operating display panel

The front display panel has a 5-digit LED display and 4 operation keys. You can perform all display, tuning, setting and other operations on this display panel.

### Overview of modes

The display panel is operated in the 7 modes specified below.

#### Status display mode (d00 to d15)

Position/speed commands to the driver, current position information from the motor encoder, condition of cumulative pulses in the deviation counter and code number of the actuator to be combined are shown.

For details, refer to [Status display mode] (P7-1).

#### Alarm mode (AL, A1 to A8, AHclr)

Present alarms and up to 8 most recent alarm histories are shown. Also, the alarm history can be deleted in the alarm mode. We recommend to clear the alarm history after the system is complete.

When an alarm occurs, the display panel switches to the alarm mode, regardless of the present mode, and shows the present alarm code.

Various parameters can be displayed or changed even when an alarm is present.

For details, refer to [Alarm mode] (P7-8).

#### Tune mode (AJ00 to AJ59)

You can display or change the parameters for servo gains, internal speed commands, etc.

Tune mode parameters can be changed even when the actuator is operating. Changes are reflected in real time.

For details, refer to [Chapter 7 Tune mode].

#### System parameters

- **Input signals (SP00 to SP19)**

These parameters set the functions associated with the driver's input signals and their assignments to CN2. The set values will become effective when the driver power supply is reconnected.

For details, refer to [Input signals: System parameter SP00 to SP16] (P5-3).

- **Output signals (SP20 to SP39)**

These parameters set the functions associated with the driver's output signals and their assignments to CN2. The set values will become effective when the driver power supply is reconnected.

For details, refer to [Output signals: System parameter SP20 to SP26] (P5-22).

- **Function extension signals (SP40 to SP79)**

These parameters set switching in the control mode, electronic gear, extension of functions, etc. The set values will become effective when the HA-800A driver power supply is reconnected.

For details, refer to [Function extension parameter] (P8-3).

#### Test modes (T00 to T11)

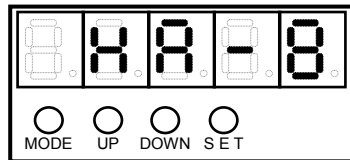
In the test mode, you can monitor I/O signals, operate output signals, initialize parameters, and perform multi revolution clear and auto-tuning. You can also check the connection with the host controller and operating status without having to drive the actuator.

For details, refer to [Chapter 9 Test mode].

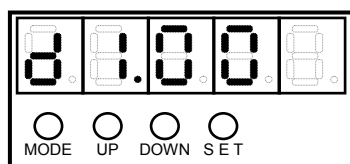
## Initial panel display

The following explains the panel display shown when the driver is started normally and while an alarm is present.

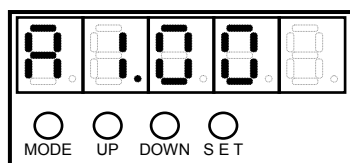
### Display upon control power supply ON



When the driver's control power supply is turned ON, the driver model HA-800 is shown at the far right of the panel display.



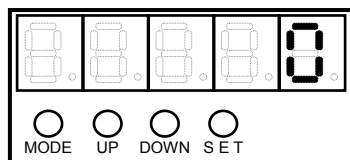
The display software version is shown for approx. 1 second.



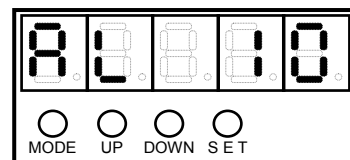
The control software version is shown for approx. 1 second.

Normal

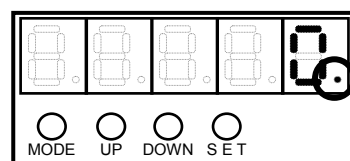
Alarm



The status data set by system parameter 3 [SP54: Status display setting] is shown.



The driver starts in the alarm mode and shows the present alarm. If multiple alarms or warnings are present, they are shown one by one at an interval of approx. 500 ms.

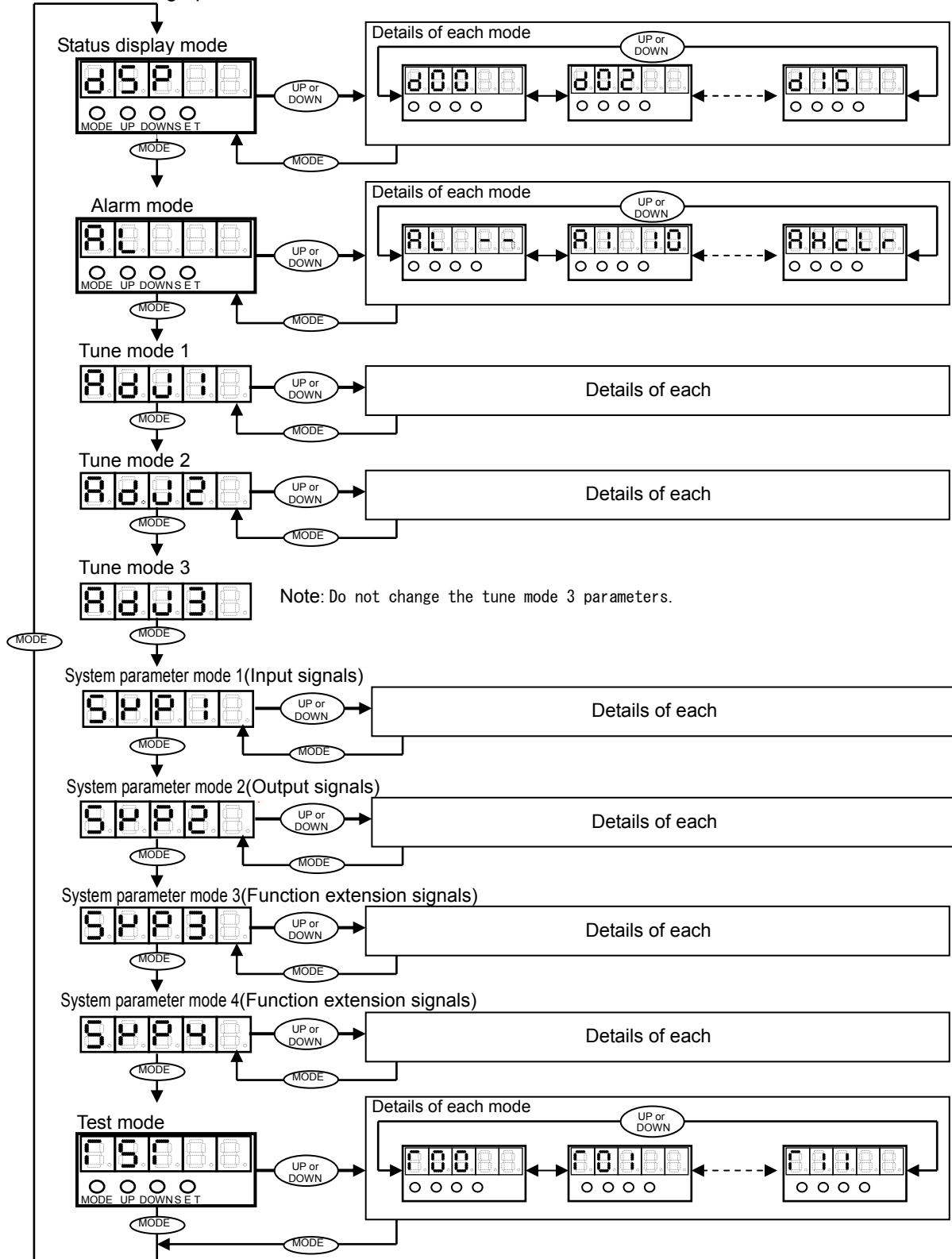


The decimal point in the fifth digit indicates the servo-ON  
Lit: Servo-ON  
Unlit: Servo-OFF

## Panel display hierarchy

The display hierarchy of the display panel is shown below.

When an alarm occurs, the display panel switches to the alarm mode, regardless of the present mode, and shows the present alarm code. Even when an alarm is present, you can still switch to other mode and check or change parameters.

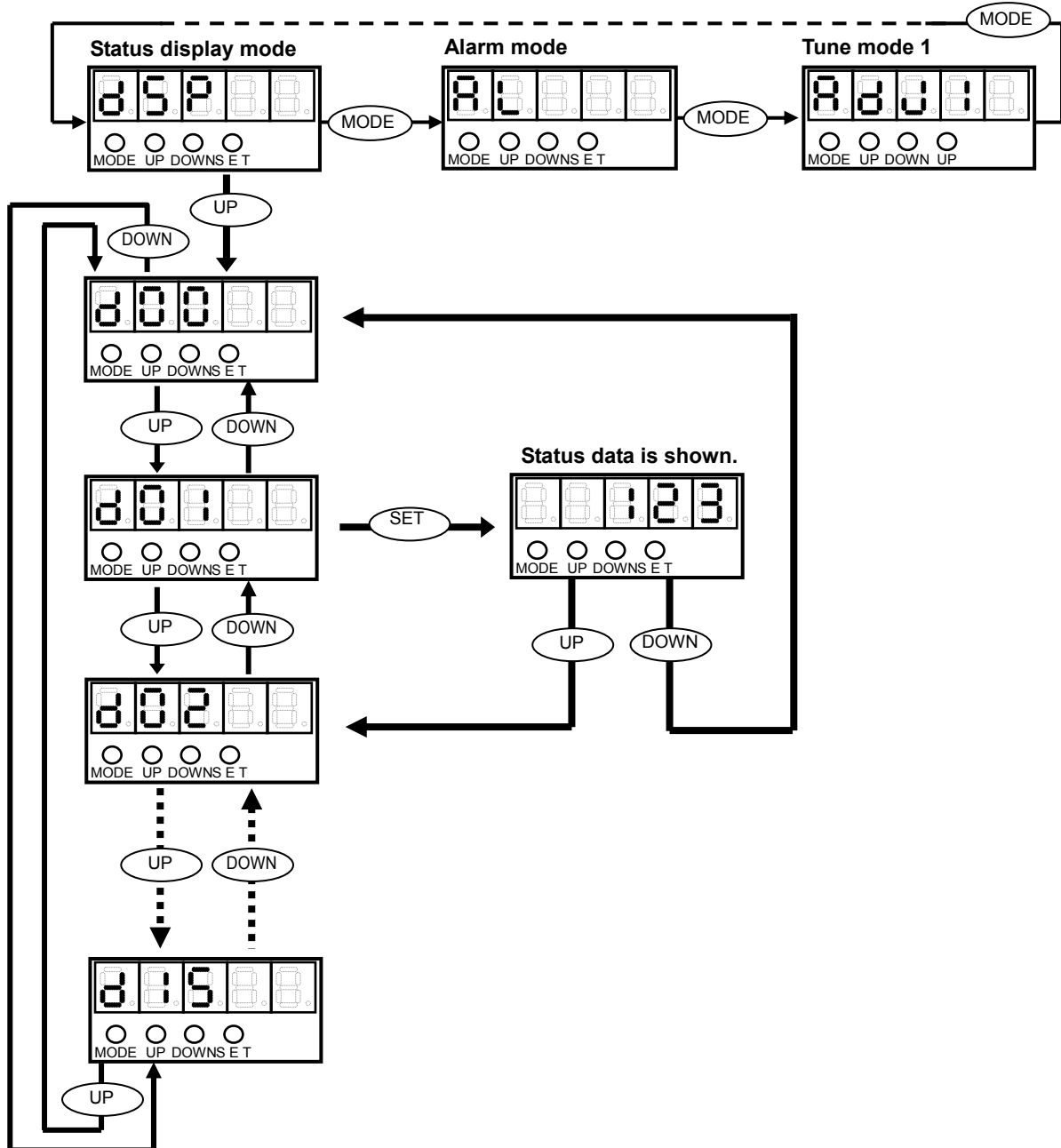


## Operation outline of status display mode

An overview of operations in the status display mode is shown below.

To prevent malfunction, a button is recognized as enabled when it has been pressed for at least 0.1 second and 1 second or less.

\* For details on data displayed, refer to Chapter 7.



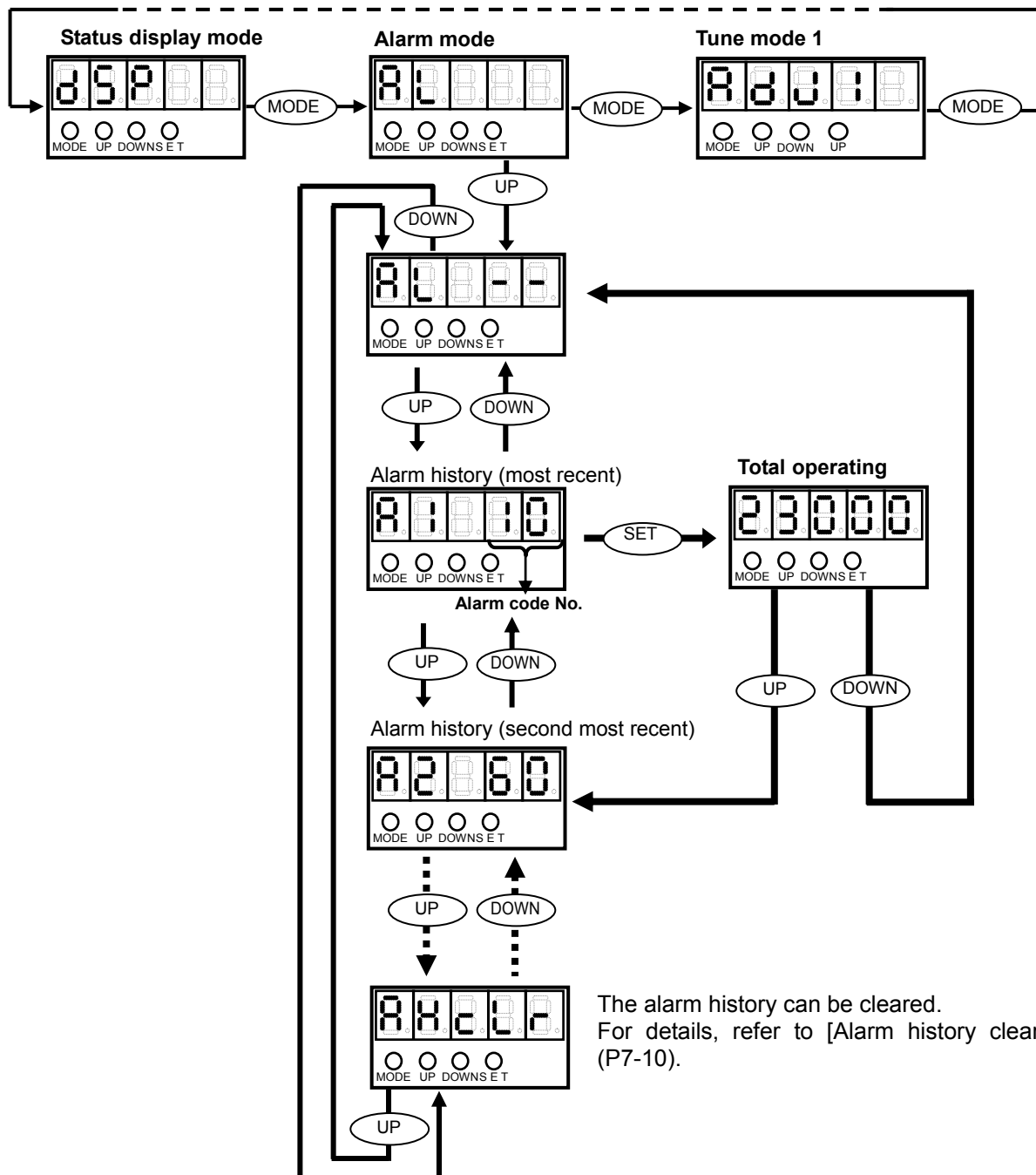
## Operation outline of alarm mode

An overview of operations in the alarm mode is shown below.

To prevent malfunction, a button is recognized as enabled when it has been pressed for at least 0.1 second and 1 second or less.

\* For the overview on alarms, refer to P7-8.

\* For details on alarms, refer to [Chapter 11 Troubleshooting].

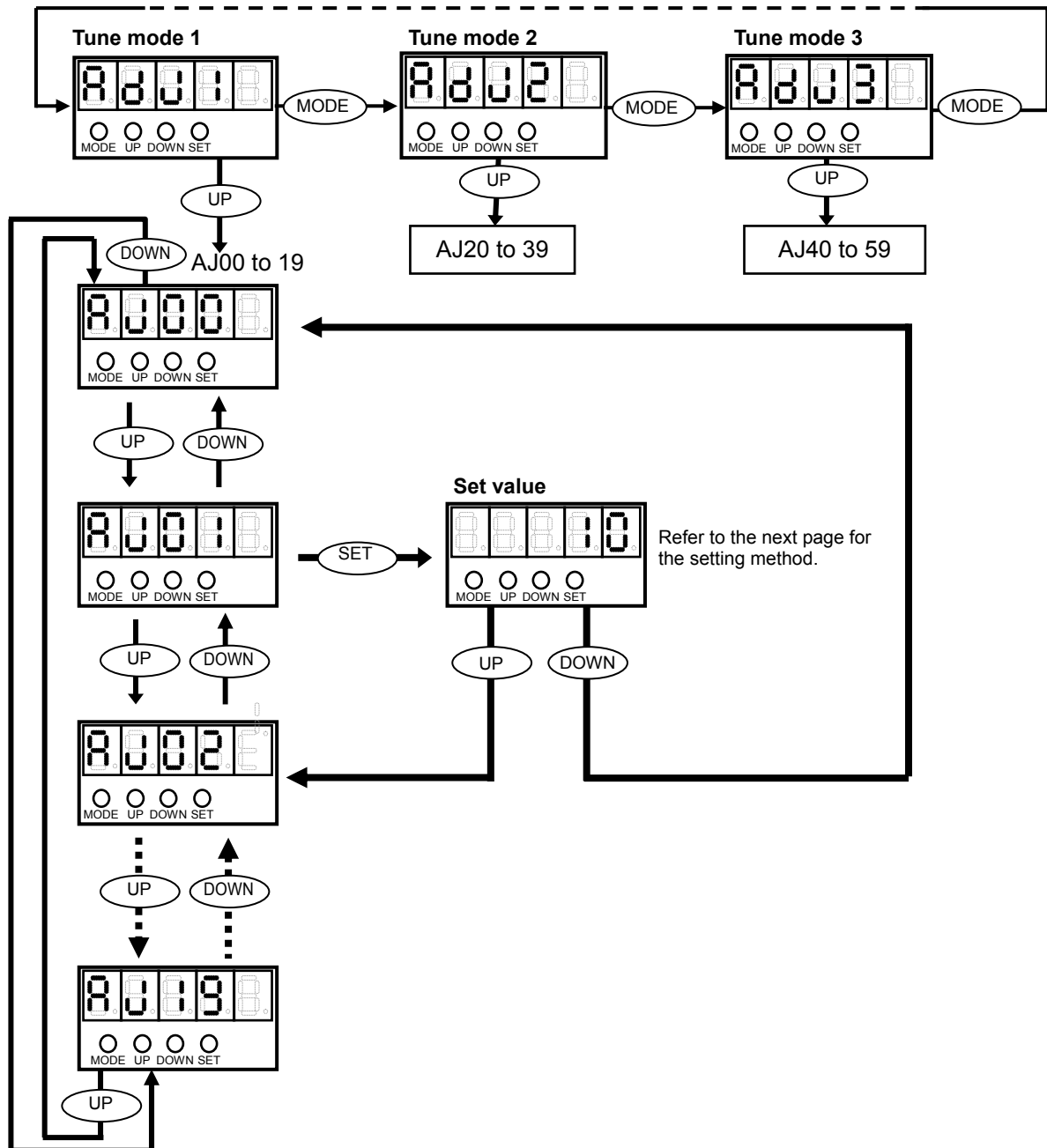


## Operation outline of tune mode

An overview of operations in the tune mode is shown below.

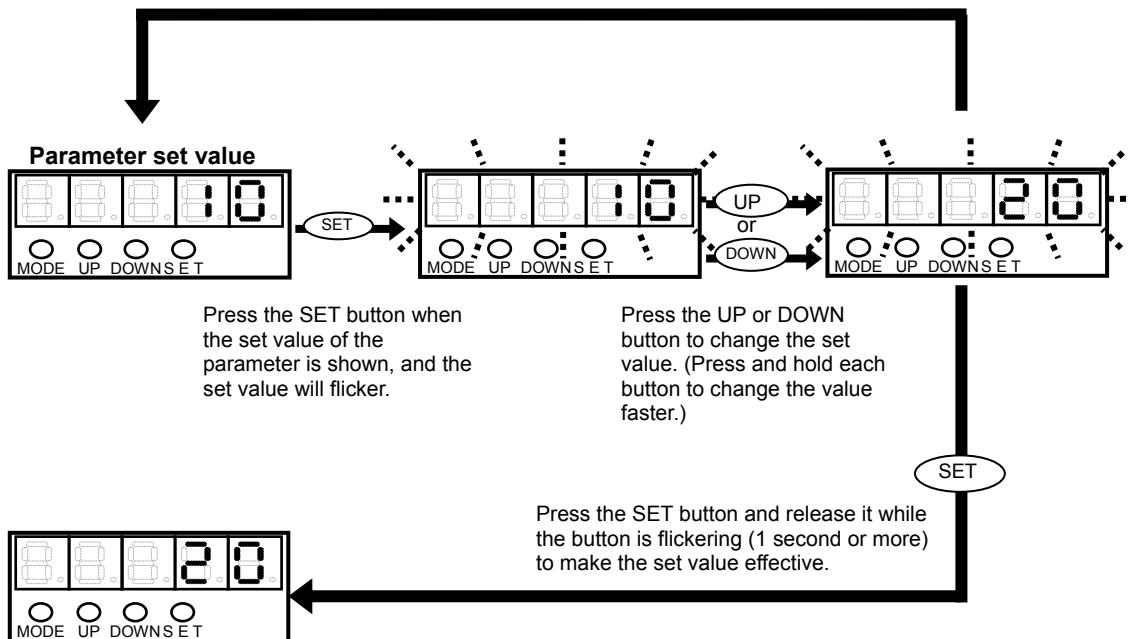
To prevent malfunction, a button is recognized as enabled when it has been pressed for at least 0.1 second and 1 second or less.

\* For details on the tune mode, refer to [Tune mode] (P7-11).



### How to change set value

Press the SET button and release it before the flickering stops (within approx. 1 second), and the change will be cancelled.

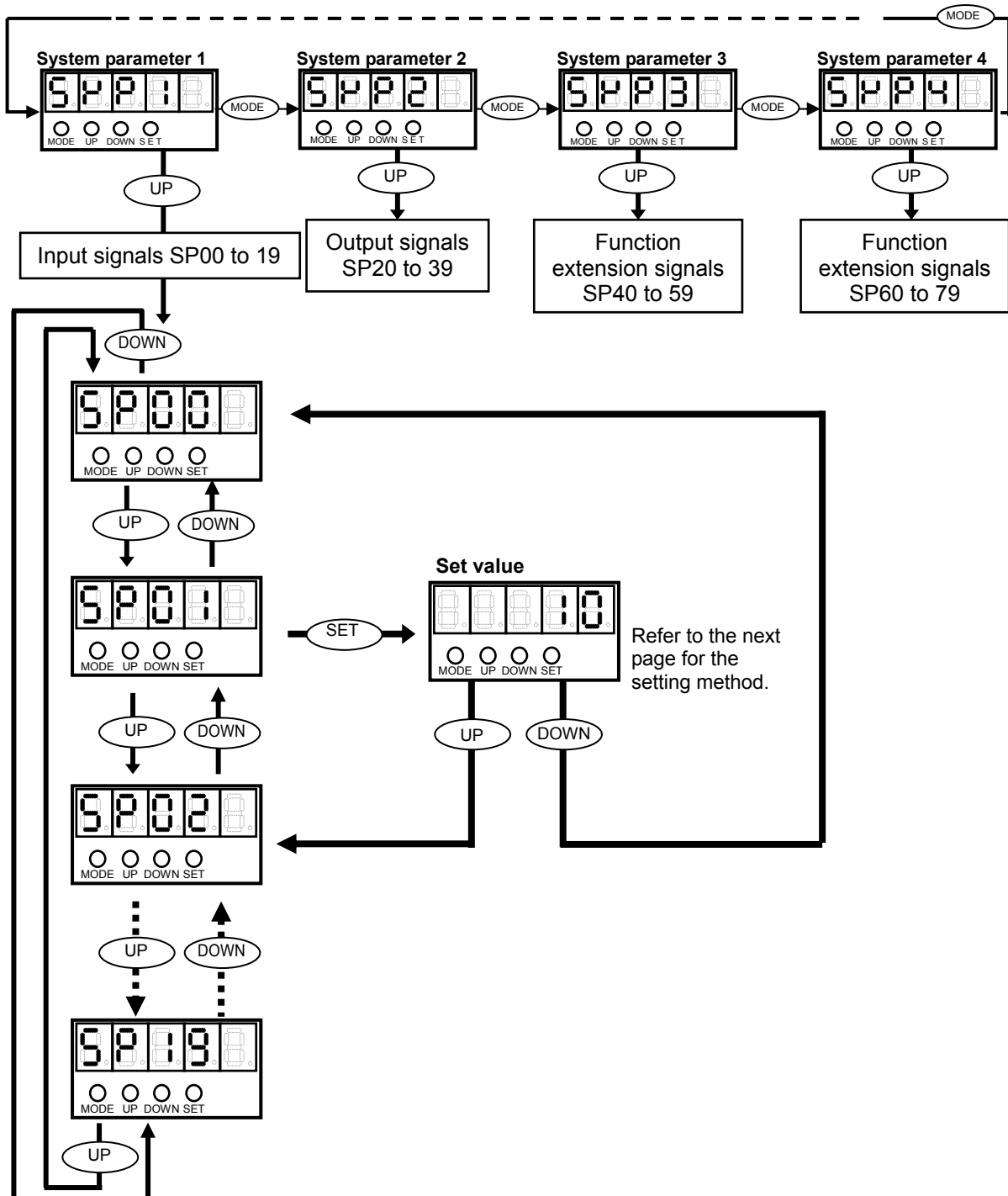




## Operation outline of system parameter mode

An overview of operations in the system parameter mode is shown below.

To prevent malfunction, a button is recognized as enabled when it has been pressed for at least 0.1 second and 1 second or less.

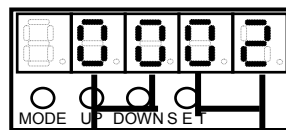


### How to set input signals (SP00 to 16)

\* For details on input signals, refer to P5-8.

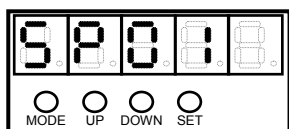
Example) Setting [SP01: Reset input setting]

Change the input signal from IN2 to 3 and logical set value from 00 to 01.



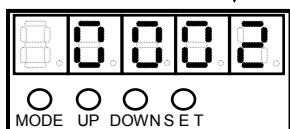
Logical set value  
00: Normally open  
01: Normally closed

Assign to one of IN2 to  
IN8 of CN2.



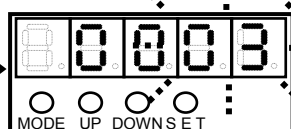
SET

Press the SET button and release it before the flickering stops (within approx. 1 second), and the change will be cancelled.



Press the SET button when the set value of the parameter is shown, and the fourth and fifth digits of the set value will flicker. (The values set in the fourth and fifth digits can now be changed.)

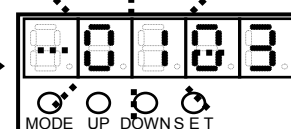
SET



The fourth and fifth digits can be changed. Pressing the UP button changes the set value. (Press and hold each button to change the value faster.)

Example)  
Changing the assignment from  
IN2 to IN3

DOWN

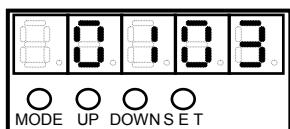


The second and third digits can be changed. Pressing the UP button changes the set value. (Press and hold each button to change the value faster.)

Example)  
Changing the logical set value  
from 00 to 01

SET

SET

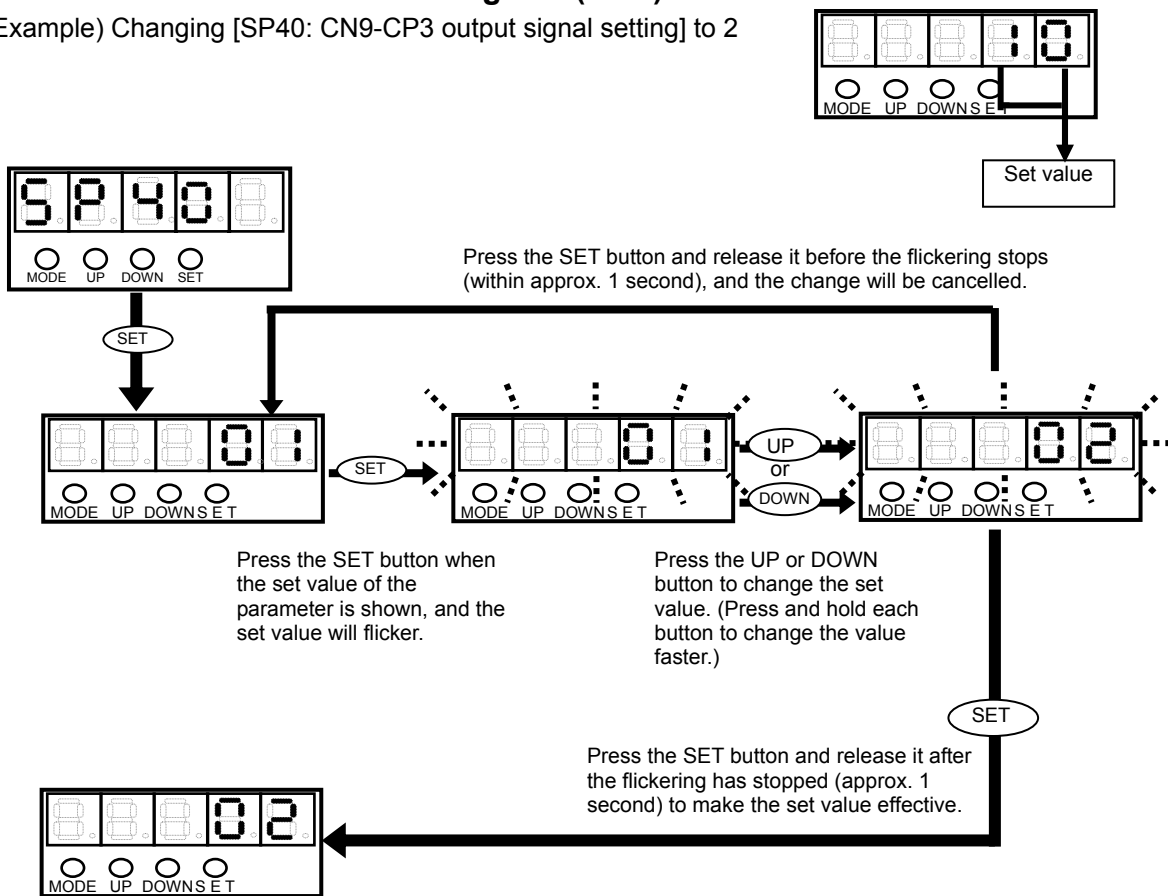


Press the SET button and release it after the flickering has stopped (approx. 1 second) to make the set value effective.



### How to set function extension signals (SP\*\*)

Example) Changing [SP40: CN9-CP3 output signal setting] to 2







# Chapter 7

## Status display mode/alarm mode/tune mode

---

This chapter explains information displayed in the status display mode and alarm mode. Operations and details of servo loop gains, various judgment criteria and acceleration/deceleration time setting during speed control performed in the tune mode are explained.

---

7-1	Status display mode .....	7-1
7-2	Details of status display mode .....	7-3
7-3	Alarm mode .....	7-8
7-4	Alarm list .....	7-9
7-5	Tune mode .....	7-11
7-6	Details of tune mode .....	7-12

## 7-1 Status display mode

In the status display mode, position/speed commands to the driver, current position information from the motor/encoder, condition of cumulative pulses in the deviation counter, I/O signal statuses, load condition and code number of the actuator to be combined are shown, among others. These items help diagnose errors and troubles.


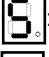

### Status display mode list

If the driver is normal when the power supply is turned ON, [d00: Motor rotation speed indication] is shown.(Default setting)

To change the displayed items, set desired items by referring to [SP54: Status display setting] (P8-8).

Mode No.	Name	Description	Default	Unit	Details
d00	Motor rotation speed indication	The current rotation speed of the motor shaft is shown. The rotation speed of the actuator's output shaft is obtained by dividing the displayed value by the reduction ratio of the actuator. Rotation direction signal None: FWD - : REV	--	r/min	--
d01	Error pulse count display (Low)	The number of error pulses in position control is shown.	--	pulse	P7-3
d02	Error pulse count display (High)	Deviation direction symbol None: Deviation in REV rotation - : Deviation in FWD rotation			
d03	Output torque monitor	The value of the output torque currently generated by the actuator is shown. 100% indicates the specified maximum output torque of the actuator. Torque direction symbol None: FWD torque - : REV torque	--	%	--
d04	Overload rate display	Current overload status of the actuator is shown.	--	%	
d05	Feedback pulse display (Low)	The encoder feedback pulses are shown. Absolute encoder: The current encoder value is shown.	--	pulse	P7-5
d06	Feedback pulse display (High)	Incremental encoder: Cumulative feedback pulses since the power ON, multiplied by 4			
d07	Command pulse display (Low)	Command pulses from the driver are shown. Absolute encoder: Current encoder value upon power ON, plus command pulses:	--	pulse	P7-5
d08	Command pulse display (High)	Incremental encoder Cumulative command pulses since the power ON corresponding to 0 pulses			
d09	Command pulse frequency display	The command pulse frequency input to the command pulse input port is shown.	--	Hz	--
d10	Main circuit power voltage	The rectified main circuit power voltage is shown.	--	V	--
d11	Speed command voltage	The speed command input voltage currently input to the driver is shown.	--	V	P7-6
d12	Torque command voltage	The torque command input voltage currently input to the driver is shown.	--	V	P7-6
d13	Applicable actuator code	The actuator code number is shown.	--	--	P7-7



d14	Control mode	<p>The current control mode is shown.</p>  : Position control  : Speed control  : Torque control	--	--	--
d15	Discharge time	<p>An approximate total power ON time is shown. 0 to 99,999</p>	--	h	--
d16	Regenerative power (HA-800-24 only)	<p>It indicates absorbed power of regenerative resistor as percentage.</p>	--	%	P7-7

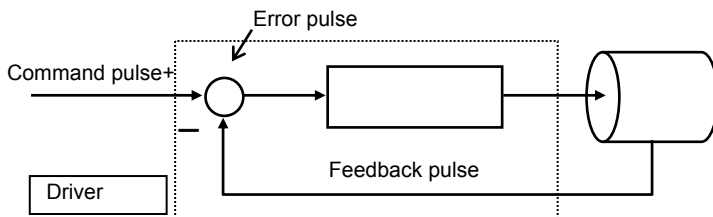
# 7-2 Details of status display mode

The following explains details of the status display mode. Detailed explanations for simple items are omitted. Refer to the [Status display mode list] (P7-1).

## d01, 02: Error pulse count display

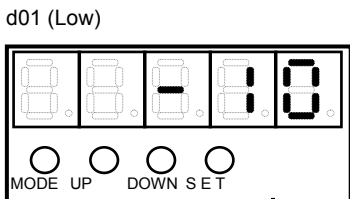
The deviation between command pulses and feedback pulses during position control is shown. d01 indicates the lower 4 digits, while d02 indicates the upper 4 digits.

The driver continues to output a rotation command until there is no longer difference (error pulse) between the feedback pulses fed back from the encoder and command pulses output to the actuator.



d01 indicates the lower 4 digits, while d02 indicates the upper 4 digits.

Display example)



The lower 4 digits of the error pulse (multiplied by 4) are shown.  
Unit: Pulse (Example) = -10 pulses

Relational items	d05, d06, d07, d08
------------------	--------------------

## d04: Overload rate display

The current overload status of the actuator (unit: %) is shown.

If the value reaches 100, the overload protective function shuts off the motor current, and simultaneously an alarm [AL20: Overload] is displayed.

When you want to set a higher servo gain to shorten the positioning period, the higher servo gain is permitted if the overload rate remains 0 after the actual operation.

In addition, a system with a greater inertia can also be used as long as the overload rate remains 0.

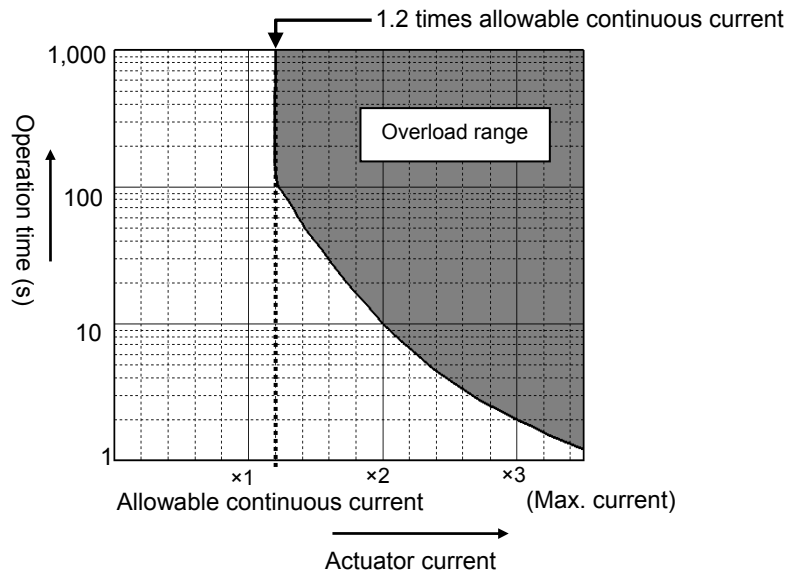
If the overload rate gradually increases, on the other hand, the servo gain must be decreased or other measures are required.

The driver always monitors the actuator current for the detection of overload rate, and if the current and its discharge time exceed the curve shown below, an overload alarm generates.

Example)

Current at least 1.2 times the allowable continuous current of the actuator has been supplied for an extended period of time.

Current at least 3 times the allowable continuous current of the actuator has been supplied for approx. 2 seconds.



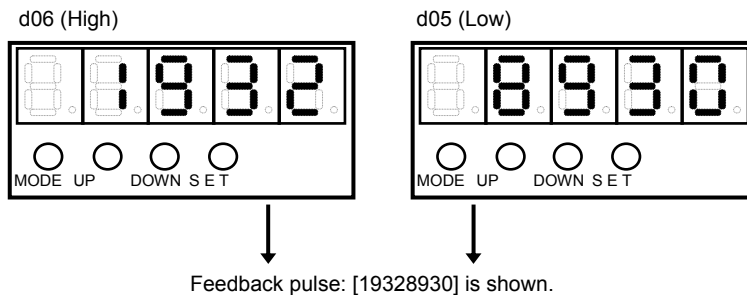
## d05, 06: Feedback pulse display

Feedback pulses from the encoder are shown.

- Absolute encoder: The current encoder value is shown.
- Incremental encoder: Cumulative feedback pulses since the power ON, multiplied by 4

d05 indicates the lower 4 digits, while d06 indicates the upper 4 digits.

Display example)



Display range: 0 to  $\pm 99999999$

When the feedback pulses increase to a 9-digit figure, the highest digit is ignored and only the lower 8 digits are shown.

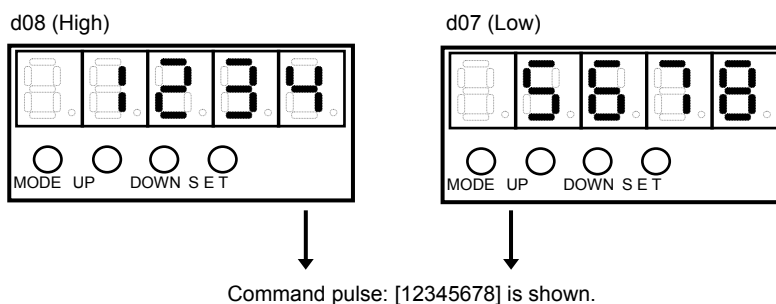
## d07, 08: Command pulse display

The command pulse value input to the driver is shown.

- Absolute encoder: Current encoder value at the power ON, plus command pulses
- Incremental encoder: 0 at the power ON, plus command pulses

d07 indicates the lower 4 digits, while d08 indicates the upper 4 digits.

Display example)



Display range: 0 to  $\pm 99999999$

When the command pulses increase to a 9-digit figure, the highest digit is ignored and only the lower 8 digits are shown.

Relational items	d01, d02, d05, d06
------------------	--------------------

## d11: Speed command voltage

The speed command input voltage (unit: V) currently input to the driver is shown.

The speed command input voltage and motor rotation speed are associated by the parameter [SP51: Speed input factor].

The actuator's output shaft rotation speed is obtained by dividing motor rotation speed by the reduction ratio of the actuator. In other words, the actuator's output shaft rotation speed is obtained by the following formula:

$$\text{Output shaft revolution} = \frac{\text{Speed input factor}}{\text{Reduction ratio}} \times \frac{\text{Speed command input voltage}}{10}$$

In actual operation, the actuator may move slightly even when the speed command voltage is 0, instead of remaining standstill, depending on the offset voltage. In this condition, adjust [AJ14: Speed command offset] in the tune mode or [T06: Speed command auto-offset] in the test mode.

Relational items	SP32, AJ14, T06
------------------	-----------------

## d12: Torque command voltage

The torque command input voltage (unit: V) currently input to the driver is shown.

The torque command input voltage and actuator output torque are associated according to the value set in [SP53: Torque input factor] parameter.

$$\text{Output torque} = \text{Torque command input factor} \times \frac{\text{Torque command input voltage}}{10}$$

In actual operation, the actuator may generate torque slightly even when the speed command voltage is 0, depending on the offset voltage. In this condition, adjust [AJ15: Torque command offset] in the tune mode or [T07: Torque command auto-offset] in the test mode.

Relational items	SP53, AJ15, T07
------------------	-----------------

## d13: Applicable actuator code

The actuator applicable to this driver is indicated by a code number.  
The relationship of code numbers and actuators is as follows:

### Codes of SHA series actuators

Encoder		Absolute					
Voltage specification	Reduction ratio	1/11	1/51	1/81	1/101	1/121	1/161
200V	SHA25A	5801	5011	5021	5031	5041	5051
	SHA32A	5811	5111	5121	5131	5141	5151
	SHA40A	-	5211	5221	5231	5241	5251
	SHA58A	-	-	5421	5431	5441	5451
	SHA65A	-	-	5521	5531	5541	5551

### Codes of FHA-C and FHA-Cmini series actuators

Encoder		Incremental				Absolute		
Voltage specification	Reduction ratio	1/30	1/50	1/100	1/160	1/50	1/100	1/160
200V	FHA-8C	6204	6214	6234	-	-	-	-
	FHA-11C	6404	6414	6434	-	-	-	-
	FHA-14C	6604	6614	6634	-	-	-	-
	FHA-17C	-	5217	5237	5247	5218	5238	5248
	FHA-25C	-	5417	5437	5447	5418	5438	5448
	FHA-32C	-	5617	5637	5647	5618	5638	5648
	FHA-40C	-	5717	5737	5747	5718	5738	5748
100V	FHA-8C	6304	6314	6334	-	-	-	-
	FHA-11C	6504	6514	6534	-	-	-	-
	FHA-14C	6704	6714	6734	-	-	-	-
	FHA-17C	-	5117	5137	5147	5118	5138	5148
	FHA-25C	-	5317	5337	5347	5318	5338	5348
	FHA-32C	-	5517	5537	5547	5518	5538	5548

### Codes of RSF series actuators

Encoder		Absolute	
Voltage specification	Reduction ratio	1/50	1/100
200V	RSF-17A	7365	7375
	RSF-20A	7465	7475
	RSF-25A	7575	7575
	RSF-32A	7665	7675

## d16: Regenerative power (HA-800-24 only)

It indicates absorbed power of regenerative resistor as percentage (unit: %).  
The value can be converted to absorbed power of resistor using the following formula.

$$\text{Regenerative resistor absorption power [W]} = 16000[\text{W}] \times \frac{\text{Motor display value [\%]}}{100[\%]}$$

\* The regenerative power varies depending on input voltage, load conditions, and operation pattern. Take sufficient margin in evaluation tests of your systems.

## 7-3 Alarm mode

In the alarm mode, present alarms and warnings as well as up to 8 most recent alarm histories and total operating hours when each alarm occurred are shown. The alarm history can also be cleared in this mode. The following items are shown in the alarm mode. Note, however, that warnings are not stored in the alarm history.

### Alarm display

The following items are shown in the alarm mode:

Mode No.	Name	Description	Details
AL	Present alarm/warning display	The present alarm/warning is shown.	P7-9
A1	Alarm history 1 and time of occurrence	Alarm history is shown by a code number. When the SET button on the panel is pressed while the history is displayed, the total operating hours (unit: h) of the driver when the applicable alarm occurred is shown. Note that the total operating hours is approximate.	--
A2	Alarm history 2 and time of occurrence		
A3	Alarm history 3 and time of occurrence		
A4	Alarm history 4 and time of occurrence		
A5	Alarm history 5 and time of occurrence		
A6	Alarm history 6 and time of occurrence		
A7	Alarm history 7 and time of occurrence		
A8	Alarm history 8 and time of occurrence		
AHcLr	Alarm history clear	The history of up to 8 most recent alarms is cleared.	P7-10

## 7-4 Alarm list

A list of alarms and warnings is shown.

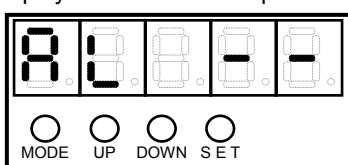
### AL: Present alarm/warning display

The driver shows the code number of the present alarm/warning.

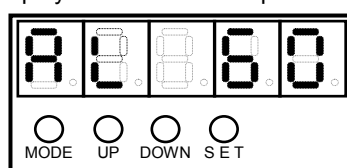
If multiple alarms (warnings) are output, all alarm (warning) codes are shown one by one at an interval of approx. 500 ms. If no alarm (warning) is present, [--] is shown.

Even when an alarm (warning) is output, you can still switch to a mode other than the alarm mode and display various parameters and status data.

Display when no alarm is present



Display when an alarm is present



Example) An error counter overflow alarm is present.

The relationship of displayed code numbers and alarms/warnings is shown below. For details, refer to [Chapter 11 Troubleshooting].

#### Alarms

Code No.	Alarms	Code No.	Alarms	Code No.	Alarms
01	Emergency stop	46	Overheated dynamic brake <sup>*4</sup>	71	Memory failure (EEPROM)
10	Overspeed	47	Damaged power circuit <sup>*4</sup>	76	FPGA configuration error
20	Overload	50	Encoder disconnection	73	FPGA setting error
30	IPM error (overcurrent)	51	Encoder receiving error <sup>*1, *2</sup>	76	Processor error
40	Overvoltage	52	UVW error <sup>*1</sup>	81	System failure <sup>*3</sup>
41	Regenerative resistor overheat	53	System failure <sup>*2</sup>	82	Single rotation data error <sup>*3</sup>
42	Overregeneration <sup>*4</sup>	54	Multi revolution overflow <sup>*2</sup>	83	Multi revolution data error <sup>*3</sup>
43	Missing phase <sup>*4</sup>	55	Multi revolution data error <sup>*2</sup>	84	BUSY error <sup>*3</sup>
44	Control power supply low <sup>*4</sup>	60	Error counter overflow	85	Overheat error <sup>*3</sup>
45	Main circuit voltage low <sup>*4</sup>	70	Memory failure (RAM)	86	Communication error <sup>*3</sup>

\*1: Displayed only when an incremental encoder is used.

\*2: Displayed only when a 13-bit absolute encoder is used.

\*3: Displayed only when a 17-bit absolute encoder is used.

\*4: Displayed HA-800A-24 only.

#### Warning

Code No.	Alarms	Code No.	Alarms	Code No.	Alarms
90	Overload status	93	Main circuit voltage low	99	Wrong actuator
91	Battery voltage low	97	FWD inhibit input effective		
92	Cooling fan stopped	98	REV inhibit input effective		



## AHcLr: Alarm history clear

The history of up to 8 most recent alarms stored in the driver is cleared.

**1 Press the SET button when [AHcLr] is displayed.**

[AHcLr] flickers.

**2 Press the SET button again.**

The alarm history is cleared and flickering of [AHcLr] stops and becomes lit.

To not clear the alarm history, pressing the UP or DOWN button cancels the alarm history clear, after which the content of A8 or AL is displayed.

## 7-5 Tune mode

You can read and change parameters relating to actuator operations.  
The following items can be changed.

Mode	Code	Parameters	Default	Details
Tune mode 1	AJ00	Position loop gain	*1	P7-12
	AJ01	Speed loop gain	*1	P7-12
	AJ02	Speed loop integral compensation	*1	P7-13
	AJ03	Feed-forward gain	0	P7-13
	AJ04	In-position range	*1	P7-13
	AJ05	Attained speed judgment value	2000	P7-14
	AJ06	Attained torque judgment value	50	P7-14
	AJ07	Zero speed judgment value	10	P7-14
	AJ08	Internal speed command 1	500	P7-15
	AJ09	Internal speed command 2	1000	P7-15
	AJ10	Internal speed command 3	1500	P7-15
	AJ11	Torque limit	100	P7-15
	AJ12	Acceleration time constant	1	P7-16
	AJ13	Deceleration time constant	1	P7-16
	AJ14	External speed command offset	0	P7-17
	AJ15	External torque command offset	0	P7-17
	AJ16	Speed monitor offset	*2	P7-17
	AJ17	Current monitor offset	*2	P7-17
	AJ18	System reservation *3	--	--
AJ19	System reservation *3	--	--	
Tune mode 2	AJ20	Feed-forward filter	1	P7-18
	AJ21	Load inertia moment ratio	100	P7-18
	AJ22	Torque constant compensation factor	100	P7-18
	AJ23	Spring constant compensation factor	100	P7-19
	AJ24 to 39	System reservation *3	--	--
Tune mode 3	AJ40 to 59	System reservation *3	--	--

\*1: It varies depending on the applicable actuator.

Refer to the values of applicable actuator that are the targets of Appendix 1 [Default settings].

\*2: It varies depending on the driver.

\*3: Do not change the parameters that are in the system reserved areas. The default setting of the system reservation may vary depending on the model/version. If the set values change when the parameters are transferred between different models, it does not affect the product functions.

To perform the data comparison with the backed up parameter files or writing the backed up parameter files to the driver using PSF-800 communication software, refer to [10-5. Saving and reading set values].

## 7-6 Details of tune mode

The following explains the details of settings in the tune mode.

### AJ00: Position loop gain

Adjust the proportional gain of the position feedback loop.

The relation between the set value and actuator operation is as follows:

- Increasing the set value: The position deviation decreases and following accuracy relative to the command increases, but setting too high a value makes the servo system unstable and prone to vibration (hunting).
- Decreasing the set value: Setting too low a value results in poor following accuracy relative to the command.

Set the highest gain within the limits of no vibration (hunting) and minimum overshoot.

Perform a trial operation with a higher servo gain to shorten the positioning period. If the value of [d04: Overload rate display] remains 0 in the status display mode after the actual operation, the higher servo gain can be used.

Set value	Function	Unit	Default
10 to 9999	Set the proportional gain of the position feedback loop.	-	*
Relational items	AJ01, AJ02, AJ03, d04		

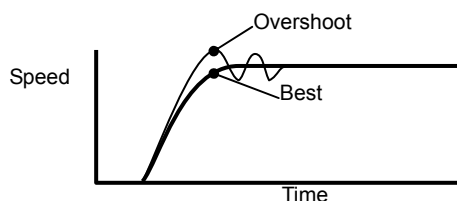
\*: The default varies depending on the applicable actuator. Refer to [Default settings] (PA-1) in the appendix.

### AJ01: Speed loop gain

Adjust the proportional gain of the speed feedback loop.

The relation between the set value and actuator operation is as follows:

- Increasing the set value: Servo rigidity increases along with response, but setting too high a value makes the servo system unstable and prone to vibration (hunting) and overshoot.
- Decreasing the set value: Setting too low a value leads to poor response and following accuracy.



Set value	Function	Unit	Default
HA-800-1: 0.1 to 999.9 Except HA-800-1: 1 to 9999	Set the proportional gain of the speed feedback loop.	-	*
Relational items	AJ00, AJ02, AJ03		

\*: The default varies depending on the applicable actuator. Refer to [Default settings] (PA-1) in the appendix.

## AJ02: Speed loop integral compensation

Set this parameter to reduce the speed fluctuation due to load fluctuation. The relation between the set value and actuator operation is as follows:

- Increasing the set value: Vibration (hunting) is eliminated and response becomes slower upon load fluctuation.
- Decreasing the set value: Response upon load fluctuation increases, but setting too low a value causes vibration (hunting).

Set value	Function	Unit	Default
1 to 9999	Set the speed loop integral compensation value.	-	*
Relational items	AJ00, AJ01, AJ03		

\*: The default varies depending on the applicable actuator. Refer to [Default settings] (PA-1) in the appendix.

## AJ03: Feed-forward gain

Set this parameter to perform feed-forward control associated to reduce the delay relative to the command. Set 0, if feed-forward control is not performed.

The relation between the set value and actuator operation is as follows:

- Increasing the set value: Tendency of mechanical shock and vibration (hunting) increases.

Set value	Function	Unit	Default
0 to 100	Set the feed-forward gain.	-	0
Relational items	AJ20, AJ21, AJ22, AJ23		

### Caution

- The changed set value will become effective when the motor shaft rotation speed drop to [AJ07: Zero speed judgment value] or below.
- This setting is effective only during position control. It is no longer effective once the mode is switched to the other control mode.

## AJ04: In-position range

Set the pulse condition for outputting an in-position output signal during position-controlled operation. An in-position complete signal is output when the error pulse count (command pulses - feedback pulses) is inside the range of +in-position range to -in-position range. Output signals are assigned by SP20 to 26.(P6-10)

Set value	Function	Unit	Default
0 to 9999	Set the range in which to output an in-position output signal.	Pulse	*
Relational items	SP20 to 26		

\*: The default varies depending on the applicable actuator. Refer to [Default settings] (PA-1) in the appendix.

## AJ05: Attained speed judgment value

Set the speed condition for outputting an attained speed output signal.

An attained speed judgment signal is output when the actuator's motor shaft rotation speed rises to the attained speed judgment value or above. Output signals are assigned by SP20 to 26.(P6-10)

Set value	Function	Unit	Default
1 to 9999	Set the condition for outputting an attained speed output signal.	-	2000
Relational items	SP20 to 26		

## AJ06: Attained torque judgment value

Set the torque condition for outputting an attained torque output signal.

An attained torque judgment signal is output when the actuator's output torque rises to the attained torque judgment value or above. Output signals are assigned by SP20 to 26.(P6-10)

Set value	Function	Unit	Default
1 to 100	Set the condition for outputting an attained torque output signal.	%	50
Relational items	SP20 to 26		

## AJ07: Zero speed judgment value

A zero speed output signal is output when the actuator's motor shaft rotation speed drops to the zero speed judgment value or below. Output signals are assigned by SP20 to 26.(P6-10)

Set value	Function	Unit	Default
0 to 100	Set the zero speed judgment value.	r/min	10
Relational items	SP20 to 26		

### Caution

- Switching from the position control mode to other control mode, or from other control mode to the position control mode, is prohibited unless a zero speed output signal is output.

## AJ08 to 10: Internal speed command 1 to 3

Set the speed command for speed control without using any external speed command (analog voltage speed command). This function is useful when performing a trial run or diagnosing the system using the actuator alone. Set SP09 and SP10 to operate the actuator accordingly.(P5-11)

During position control, the value set here functions as the speed limit. During position control, the speed can be limited by the internal speed command input 1 or 2. Set SP11 and SP12 to execute the limit functions.(P5-12)

Set value	Function	Unit	Default
1 to maximum rotational speed of applicable actuator x Reduction ratio*	Set the internal speed command.	r/min	500/1000/1500
Relational items	SP09, SP10,SP11,SP12, SP20 to 26		

\*: No negative values are allowed.

## AJ11: Torque limit

During position control or speed control, the torque is limited to the set torque limit when the internal torque limit input is enabled. Set SP13 for internal torque limit input.(P5-13)

Set value	Function	Unit	Default
1 to 100	Set the torque limit.	%	100
Relational items	SP13, SP20 to 26		

### Caution

- If torque is limited during position control, depending on the set torque limit the error pulses may increase and the actuator behavior may become unstable the moment the torque limit input is cancelled. Carefully set the torque limit to be applied during position control.

## AJ12: Acceleration time constant

Set the time over which the actuator will accelerate from the standstill state to the value set in the function extension mode parameter [SP51: Speed command input factor] during speed control.

Set value	Function	Unit	Default
1 to 9999	Set the time over which to accelerate from the standstill state to [SP51: Speed command input factor].	ms	1

### Caution

- [AJ12: Acceleration time constant] and [AJ13: Deceleration time constant] are used during speed control. See below for details:
- When the speed command changes, the speed command in the driver will change more moderately compared to this set value. Refer to the following for the conditions in which acceleration time constant AJ12 and deceleration time constant AJ13 are applied.
  - External (Analog voltage) speed command change: [AJ12: Acceleration time constant]
  - Internal speed command change (Switch): [AJ12: Acceleration time constant]
  - Switching between external speed command and internal speed command: [AJ12: Acceleration time constant]
  - Speed command change when FWD enable SP05 or REV enable SP06 is enabled (Speed change from zero to FWD/REV rotation): [AJ12: Acceleration time constant]
  - Speed command change when FWD enable SP05 or REV enable SP06 is disabled (Speed change from FWD/REV rotation to zero speed): [AJ13: Deceleration time constant]

#### Operation example

- (1) Input a FWD enable signal after a positive speed command has been input  
⇒ The actuator operates according to the acceleration time constant.
- (2) Input a negative speed command in the condition in (1)  
⇒ The actuator operates according to the acceleration time constant.
- (3) Change the speed command to 0V in the condition in (1)  
⇒ The actuator operates according to the acceleration time constant.
- (4) Also input a REV enable signal in the condition in (1)  
⇒ The actuator operates according to the deceleration time constant.
- (5) Turn the FWD enable signal OFF in the condition in (1)  
⇒ The actuator operates according to the deceleration time constant.

## AJ13: Deceleration time constant

Set the time over which the motor rotation speed will decelerate from the value set in the system parameter [SP51: Speed command input factor] to 0 r/min. For details, refer to [AJ12: Acceleration time constant].

Set value	Function	Unit	Default
1 to 9999	Set the time over which to decelerate to 0 r/min.	ms	1

## AJ14: External speed command offset

During speed control, the motor may rotate slightly even when the input command voltage is set to 0V. This problem may occur when the external command input voltage has an offset of a few mV. External speed command offset is a function that absorbs this error to prevent slight rotation of the motor. Set the input command voltage to 0V and change the offset value to find a value at which the motor stops.

Set value	Function	Unit	Default
-9999 to 9999	Set the offset value for input command voltage.	mV	0

## AJ15: External torque command offset

During torque control, the motor may rotate slightly even when the input command voltage is set to 0V. This problem may occur when the external command input voltage has an offset of a few mV. External torque command offset is a function that absorbs this error to prevent slight rotation of the motor. Set the input command voltage to 0V and change the offset value to find a value at which the motor stops.

Set value	Function	Unit	Default
-9999 to 9999	Set the offset value for input command voltage.	mV	0

## AJ16: Speed monitor offset

Adjust the speed monitor output offset currently output to CN9. Though the speed monitor offset has been adjusted at the factory, readjust it if necessary. The adjustment range of -2048 to 2047 corresponds to -10 to +10V.

This offset value is not initialized with parameter initialization and the value is retained.

Set value	Function	Unit	Default
-2048 to 2047	Set the offset value for speed monitor output.	-	*

\*: The default value varies depending on the driver.

## AJ17: Current monitor offset

Adjust the current monitor output offset currently output to CN9. Though the current monitor offset has been adjusted at the factory, readjust it if necessary. The adjustment range of -2048 to 2047 corresponds to -10 to +10V.

This offset value is not initialized with parameter initialization and the value is retained.

Set value	Function	Unit	Default
-2048 to 2047	Set the offset value for current monitor output.	-	*

\*: The default value varies depending on the driver.



## AJ20: Feed-forward filter

Set the filter frequency to be used in feed-forward control.

Setting a higher value increases the response, but mechanical shock or vibration (hunting) will occur more easily if the value is too high. (Refer to [Applied servo gain adjustment function] (P3-17).)

Set value	Function	Unit	Default
1 to 2000	Set the filter frequency.	Hz	1
Relational items	AJ03, AJ21, AJ22, AJ23		

### Caution

- The changed set value will become effective when the motor shaft rotation speed drop to [AJ07: Zero speed judgment value] or below.
- This setting is effective only during position control. This setting is no longer effective once the mode is switched to other control.

## AJ21: Load inertia moment ratio

Set the load inertia moment ratio relative to self-inertia moment to be used in feed-forward control. Feed-forward control is performed based on the value set here. (Refer to [Applied servo gain adjustment function] (P3-17).)

Set value	Function	Unit	Default
1 to 1000	Set the ratio of inertia moment.	%	100
Relational items	AJ03, AJ20, AJ22, AJ23		

### Caution

- The changed set value will become effective when the motor shaft rotation speed drop to [AJ07: Zero speed judgment value] or below.
- This setting is effective only during position control. This setting is no longer effective once the mode is switched to other control.

## AJ22: Torque constant compensation factor

Variation in the actuator torque constant used in feed-forward control is compensated for. Feed-forward control is performed based on the value set here. (Refer to [Applied servo gain adjustment function] (P3-17).)

Set value	Function	Unit	Default
1 to 200	Set the torque constant compensation factor for the actuator.	%	100
Relational items	AJ03, AJ20, AJ21, AJ23		

### Caution

- The changed set value will become effective when the motor shaft rotation speed drop to [AJ07: Zero speed judgment value] or below.
- This setting is effective only during position control. This setting is no longer effective once the mode is switched to other control.

## AJ23: Spring constant compensation factor

Variation in the actuator spring constant used in feed-forward control is compensated for. Feed-forward control is performed based on the value set here. (Refer to [Applied servo gain adjustment function] (P3-17).)

Set value	Function	Unit	Default
1 to 200	Set the spring constant compensation factor for the actuator.	%	100
Relational items	AJ03, AJ20, AJ21, AJ22		

### Caution

- The changed set value will become effective when the motor shaft rotation speed drop to [AJ07: Zero speed judgment value] or below.
- This setting is effective only during position control. This setting is no longer effective once the mode is switched to other control.

# Chapter 8

## System parameter mode

---

Details of how to assign I/O signals and set their logics, as well as extended functions such as control mode selection, pulse input system selection and electronic gear setting, etc., are explained in this chapter.

---

8-1	System parameter mode .....	8-1
8-2	Function extension parameter .....	8-3

# 8-1 System parameter mode

The following explains the parameters that can be operated/displayed in each operation mode. The settable parameters are explained below. Detailed explanation on function extension parameters SP40 onward are explained in this chapter. For details on other system parameters, refer to [Chapter 5 I/O signals].

Mode	Code	Parameters	Mode	Code	Parameters
System parameter 1 (Input signals)	SP00	Emergency stop input setting	System parameter 3 (Function extension signals)	SP40	CP3 output signal setting
	SP01	Reset input setting		SP41	Control mode switching setting
	SP02	Clear input setting		SP42	Command pulse input pattern
	SP03	FWD inhibit input setting		SP43	Multiplication of 2-phase input
	SP04	REV inhibit input setting		SP44	Electronic gear 1 numerator
	SP05	FWD enable input setting		SP45	Electronic gear 1 denominator
	SP06	REV enable input setting		SP46	Electronic gear 2 numerator
	SP07	FWD selection input setting		SP47	Electronic gear 2 denominator
	SP08	REV selection input setting		SP48	Deviation clear upon servo-ON
	SP09	Internal speed command 1 input setting		SP49	Allowable position deviation
	SP10	Internal speed command 2 input setting		SP50	Command polarity
	SP11	Internal speed limit 1 input setting		SP51	Speed input factor
	SP12	Internal speed limit 2 input setting		SP52	Zero clamp
	SP13	Internal torque limit input setting		SP53	Torque input factor
	SP14	Electronic gear selection input setting		SP54	Status display setting
	SP15	Control mode input setting		SP55	DB enable/disable setting
	SP16	INHIBIT input setting		SP56	External speed limit enable/disable
	SP17	System reservation		SP57	External torque limit enable/disable
	SP18	System reservation		SP58	System reservation
SP19	System reservation	SP59	Angle compensation enable/disable setting		
System parameter 2 (Output signals)	SP20	CN2-pin 16: Signal assignment and function setting	System parameter 4 (Function extension signals)	SP60	Automatic positioning gain setting enable/disable setting
	SP21	CN2-pin 17: Signal assignment and function setting		SP61	Encoder monitor output pulses
	SP22	CN2-pin 18: Signal assignment and function setting		SP62	System reservation
	SP23	CN2-pin 19: Signal assignment and function setting		SP63	System reservation
	SP24	CN2-pin 20: Signal assignment and function setting		SP64	Regenerative resistor selection (HA-800-24 only)
	SP25	CN2-pin 21: Signal assignment and function setting		SP65	FWD/REV inhibit operation
	SP26	CN2-pin 22: Signal assignment and function setting		SP66	System reservation



System parameter mode

---

	SP27 to SP39	System reservation		SP67 to SP79	System reservation
--	--------------------	--------------------	--	--------------------	--------------------

Do not change the parameters that are in the system reserved areas. The default setting of the system reservation may vary depending on the model/version. If the set values change when the parameters are transferred between different models, it does not affect the product functions. To perform the data comparison with the backed up parameter files or writing the backed up parameter files to the driver using PSF-800 communication software, refer to [10-5. Saving and reading set values].

## 8-2 Function extension parameter

The function extension parameters SP40 onward are explained below. For details on other system parameters, refer to [Chapter 5 I/O signals].

Parameters No	Name	Default
SP40	CP9-CP3 output signal setting	00
SP41	Control mode switching setting	0
SP42	Command pulse input pattern setting	0
SP43	Multiplication of 2-phase input	1
SP44	Electronic gear 1 numerator	1
SP45	Electronic gear 1 denominator	1
SP46	Electronic gear 2 numerator	1
SP47	Electronic gear 2 denominator	1
SP48	Deviation clear upon servo-ON	1
SP49	Allowable position deviation	*1
SP50	Command polarity	0
SP51	Speed input factor	*1
SP52	Zero clamp	0
SP53	Torque input factor	100
SP54	Status display setting	d00
SP55	DB enable/disable setting	1
SP56	External speed limit enable/disable	0
SP57	External torque limit enable/disable	0
SP58	System reservation *3	-
SP59	Angle compensation enable/disable setting	0
SP60	Automatic positioning gain setting enable/disable setting	*1
SP61	Encoder monitor output pulses	*1
SP62 SP63	System reservation *3	-
SP64	Regenerative resistor selection (HA-800-24 only)	0
SP65	FWD/REV inhibit operation	0
SP66 to SP79	System reservation *3	-

\*1: It varies depending on the applicable actuator. Refer to the values of applicable actuator that are the targets of Appendix 1 [Default settings].

\*2: The system parameters (SP00 to 79) are enabled by reconnecting the control power supply after changing the setting.

\*3: Do not change the parameters that are in the system reserved areas. The default setting of the system reservation may vary depending on the model/version. If the set values change when the parameters are transferred between different models, it does not affect the product functions.

To perform the data comparison with the backed up parameter files or writing the backed up parameter files to the driver using PSF-800 communication software, refer to [10-5. Saving and reading set values].

## SP40: CN9-CP3 output signal setting

Set the monitor output signal to pin 3 of CN9.

Set value	Description	Default
01	Operation preparation complete	00
02	Alarm output	
03	In-position output	
04	Attained speed output	
05	Attained torque output	
06	Zero speed output	
07	Control mode output	

## SP41: Control mode switching setting

You can switch between 2 control modes among position control, speed control and torque control. The control mode to switch to is determined according to the input signal for control mode selection CON-SEL.

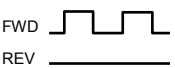

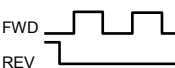
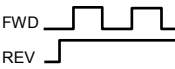


Set value	Input signals		Default
	Status of control mode input setting SP15 Enable	Disable	
0	Speed control	Position control	0
1	Torque control	Position control	
2	Torque control	Speed control	

### Caution

- Switching from the position control mode to other mode, or from other control mode to the position control mode, is prohibited unless the motor rotation speed is equal to or below the value set in the tune mode parameter [AJ07 zero speed]. The zero speed judgment function can be assigned to an output signal of CN2 via a system parameter.

## SP42: Command pulse input pattern setting

Set the command pulse input method to be used during position control.

Set value	Input pattern	FWD (Forward command pulse signal) CN2-27, 28	REV (Reverse command pulse signal) CN2-29, 30	Default
0	<p>FWD command</p>  <p>REV command</p> 	Forward	Reverse	
1	<p>FWD command</p>  <p>REV command</p> 	Pulse input	Polarity	0
2	<p>FWD command</p>  <p>REV command</p> 	Phase A	Phase B	

## SP43: Multiplication of 2-phase input setting

When the set value in [SP42: Command pulse input pattern setting] is [2: 2-phase pulse input], the input signals can be multiplied to double or quadruple the movement pulses for each original input signal pulse.

Set value	Function	Default
1	Movement pulses are the same as input pulses.	1
2	Movement pulses are doubled.	
3	Movement pulses are quadrupled.	
4	Movement pulses are quadrupled.	



## SP44 to 47: Electronic gear setting

It can be set to make the displacement of the driven actuator mechanism per input pulse, an integer. Use the electronic gear selection input to select electronic gear 1 or 2.

Electronic gear numerator: [1] to [9999]

Electronic gear denominator: [1] to [9999]

### Rotary operation

$$\frac{\text{Electronic gear numerator 1 (SP44)}}{\text{Electronic gear denominator 1 (SP45)}} = \frac{\text{Travel angle per input pulse}}{\text{Reduction ratio of load mechanism}} \times \text{Actuator resolution} \times \frac{1}{360}$$

### Linear operation

$$\frac{\text{Electronic gear numerator 1 (SP44)}}{\text{Electronic gear denominator 1 (SP45)}} = \frac{\text{Travel distance per input pulse}}{\text{Feed pitch of load mechanism}} \times \text{Actuator resolution} \times 1$$

Set integers for both the denominator and numerator based on this formula: Electronic gear numerator 2 (SP46)/electronic gear denominator 2 (SP47) shall also conform to the above formula.

Parameter No.	Name	Default
44	Electronic gear 1 numerator	1
45	Electronic gear 1 denominator	
46	Electronic gear 2 numerator	
47	Electronic gear 2 denominator	

## SP48: Deviation clear upon servo-ON setting

The deviation can be reset to 0 when the servo-ON signal is input. However, the position deviation data stored when the servo-ON input was OFF may be lost and the actuator may not return to its original position.

Set value	Function	Default
0	When the servo is turned ON while there is a deviation, the actuator will move by the deviation.	1
1	Clear the deviation to zero before turning ON the servo.	



When 0 is set and the control circuit power remains input even while the servo ON input is OFF, position error pulses will generate if the stopped position of the load mechanism moves due to gravity, human force, etc. If the servo-ON input is turned ON in this condition, the actuator will move at the maximum current to make this error pulse count to 0. Accordingly, the facility may be damaged.

## SP49: Allowable position deviation

Set the allowable value of position deviation. If a deviation exceeding this value generates, an alarm 60 [Excessive deviation] will generate and the servo will turn OFF.

Set value	Unit	Unit	Default
1 to 9999	Allowable value of position deviation	x 1,000 pulses	*

\*: The default varies depending on the applicable actuator. Refer to [Default settings] (PA-1) in the appendix.

## SP50: Command polarity

Set the actuator rotation direction during position control.

### FWD command pulse

Set value	Description	Default
0	CW (clockwise) direction	0
1	CCW (counterclockwise) direction	

### REV command pulse

Set value	Description	Default
0	CCW (counterclockwise) direction	0
1	CW (clockwise) direction	

\*: With the SHA series, rotations are in the opposite directions of the above.

## SP51: Speed input factor setting

Set the motor rotation speed to be applied during speed control when the input voltage set in [CN2-31 speed command input] is 10V. The relationship of input voltage and motor rotation speed is determined by the following formula based on this factor:

$$\text{Motor rotation speed } V = \text{Input command voltage } V \times \frac{\text{Speed input factor}}{10.0V}$$

The voltage obtained by the following formula is output for [CN9-1 speed monitor output]:

$$\text{Speed monitor output voltage } V = \text{Rotation speed } r/\text{min} \times \frac{10.0V}{\text{Speed input factor}}$$

Set value	Function	Unit	Default
1 to maximum motor rotation speed	Set the speed input factor.	r/min	*

\*: The default varies depending on the applicable actuator. Refer to [Default settings] (PA-1) in the appendix.

## SP52: Zero clamp

This function forcibly stops the actuator rotation by switching to the position control mode when the FWD enable and REV enable signals are both ON or both OFF during speed control.

Set value	Function	Default
0	Disable	0
1	Enable	

## SP53: Torque input factor setting

Set the motor output torque to be applied during speed control when the input voltage set by the torque command input (CN2-33) is 10V. The relationship of input voltage and motor output torque is determined by the following formula based on this factor:

$$\text{Motor output torque } \% = \text{Input command voltage } V \times \frac{\text{Torque input factor}}{10.0V}$$

100% = maximum current.

Set value	Function	Unit	Default
1 to 100	Set the torque input factor.	%	100

## SP54: Status display setting

Set what will be displayed in the status display mode after the control power supply is turned ON.

Set value	Function	Default
d00 to d16 (0 to 16)	Status display mode number to be displayed	d00 (0)

The set values in the parenthesis are for when using PSF-800.

### SP55: DB enable/disable setting

Set whether to enable or disable the dynamic brake.

Use this parameter for HA-800A-1, 3, and 6. In HA-800A-24, the dynamic brake operation is interlinked with the main circuit DC voltage. It is not possible to change the operation by the SP55 setting. Use HA-800A-24 by setting SP55 = 1.

Set value	Function	Default
0	Disable	1
1	Enable	

### SP56: External speed limit enable/disable

When the actuator is operating in the position control mode, set this parameter to limit the speed according to the command voltage currently input to the external speed command input (pin 31 of CN2). The relationship of voltage and speed conforms to the value set in SP51 [speed input factor].

Set value	Function	Default
0	Disable	0
1	Enable	

### SP57: External torque limit enable/disable

Set this parameter to limit torque according to the command voltage set by the external torque command input (pin 33 of CN2) during position control or speed control. The relationship of command voltage and torque conforms to SP53 [torque input factor].

Set value	Function	Default
0	Disable	0
1	Enable	

### SP59: Angle compensation enable/disable setting

Set the angle compensation to be applied when a FHA mini series (FHA-8C/11C/14C) driver is combined with the actuator.

This function analyzes the angle transmission error beforehand and compensates for this erroneous difference to improve uni-directional positional accuracy.

The function improves the uni-directional positioning accuracy by approx. 30% than the value without compensation. (30% is not a guaranteed value. The actual improvement rate is different depending on the actuator.)

Set value	Function	Default
0	Do not compensate	0
1	Compensate	

## SP60: Automatic positioning gain setting enable/disable setting

The automatic gain setting function can be used during positioning when a FHA mini series (FHA-8C/11C/14C) driver is combined. This function automatically increases the speed loop gain when the error pulse count is small, to shorten the positioning period.

The speed command value of position loop is proportional to the error pulse and thus the positioning speed drops when the error pulse is small. In the case, response can be improved by raising the speed loop gain and increasing the current command value.

If the speed loop gain set in [AJ01: Speed loop gain] is greater than the automatically set value, the value set in AJ01 becomes effective.

Set value	Function	Unit	Default
0	Do not set	-	*
1	Set		

\*:The default varies depending on the applicable actuator. Refer to [Default settings] (PA-1) in the appendix.

## SP61: Encoder monitor output pulses

Set the number of pulses to be output to the encoder monitor output terminal (CN2-42 to 48) per motor revolution when a 17-bit absolute encoder is combined.

Set value	Function	Unit	Default
1 to 8192	Number of pulses output to the encoder monitor output terminal	Pulse	*

\*:The default varies depending on the applicable actuator. Refer to [Default settings] (PA-1) in the appendix.

## SP64: Regenerative resistor selection (HA-800-24 only)

Set this parameter on HA-800A-24 according to the connected regenerative resistor.

At our factory default, the wiring is set such that set value [0: Use a built-in regenerative resistor] as well as built-in regenerative resistors are used.

\* Make sure to set the value to [0] if you use built-in regenerative resistors.

Set the value to [1], if you use an external regenerative resistor because the circuit power is large.

Do not use the set value [2]. (This setting is for maintenance purpose.)

Set value	Function	Unit	Default
0	Use built-in regenerative resistor	-	0
1	Use external regenerative resistor		
2	Setting prohibited		

## SP65: FWD/REV inhibit operation

Set the operation for when FWD/REV inhibit is input during the position control and speed control.

\* This is available for HA-800 software version 2.03 or later.

Set value	Function	Unit	Default
0	Does not generate the torque in the inhibited direction.	-	0
1	Stopped by locking the servo.		

# Chapter 9

## Test mode

---

Details of how to check the system operation by auto-tuning via jogging, monitoring of I/O signals and simulated operation of output signals are explained in this chapter.

---

9-1	Test mode.....	9-1
9-2	Details of test mode.....	9-2

## 9-1 Test mode

In the test mode, you can monitor I/O signals and perform JOG operation, auto-tuning, etc. You can also check the connection with the host controller and operating status without having to drive the actuator.

Mode	Code	Description	Details
Test mode	T00	I/O signal monitor	P9-2
	T01	Output signal operation	P9-3
	T02	JOG speed setting	P9-4
	T03	JOG acceleration/deceleration time constant setting	P9-5
	T04	JOG operation	P9-6
	T05	Parameter initialization	P9-7
	T06	Automatic adjustment of speed command offset	P9-8
	T07	Automatic adjustment of torque command offset	P9-9
	T08	Multi revolution clear	P9-10
	T09	Auto-tuning	P9-11
	T10	Auto-tuning displacement	P9-12
T11	Auto-tuning level selection	P9-13	





## 9-2 Details of test mode

The following explains the details of the test mode.

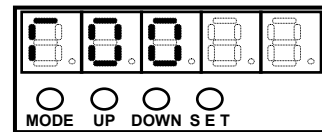
### T00: I/O signal monitor

The I/O statuses of assigned pins are reflected and displayed in real time.  
The functions of displayed pins are enabled.

#### 1 Press the SET button.

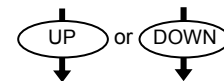
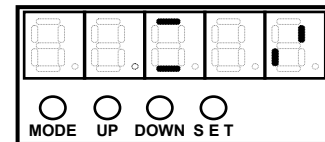
Output signal operation is now permitted.

- The display will not switch if the button is pressed for 1 second or longer.

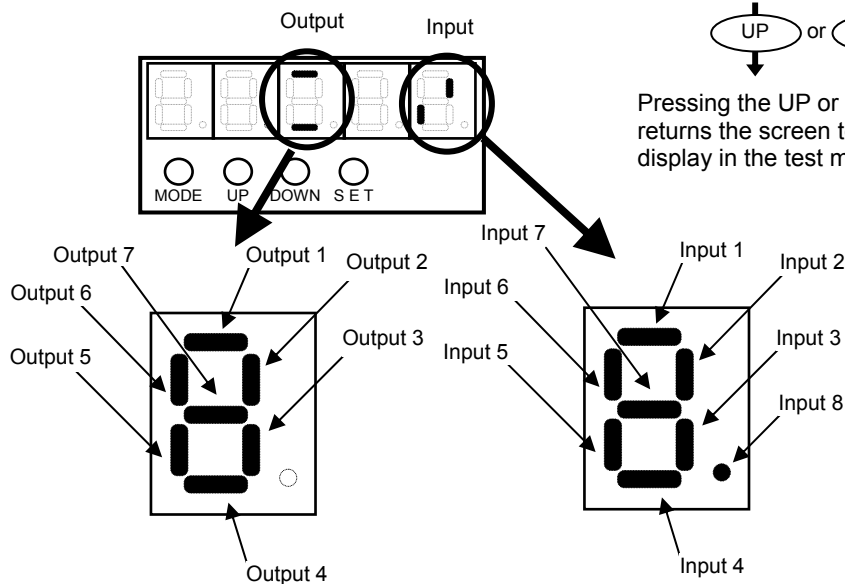


#### 2 The third digit indicates the output status, while the fifth digit indicates the input status.

Lit: ON  
Unlit: OFF



Pressing the UP or DOWN button returns the screen to the number display in the test mode.



### Caution

- If FWD inhibit (FWD-IH) or REV inhibit (REV-IH) is assigned to an input pin, the screen will switch to the alarm display when a signal (assigned by the NO logic) is input to the assigned input pin. Monitor I/Os after inputting the FWD or REV inhibit signal.

## T01: Output signal operation

Output signals can be turned ON/OFF as desired.

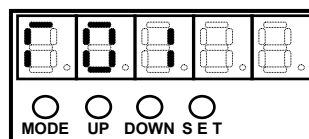
### Caution

- Take note that, in this operation, the actual output signals are output and the device may be activated by the operation. Also, the operation can be done even when HA-800A is being automatically operated by the command from the host controller. Please keep this in mind during the actual operation.

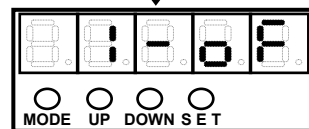
#### 1 Press the SET button.

Output signal operation is now permitted.

- The display will not switch if the button is pressed for 1 second or longer.

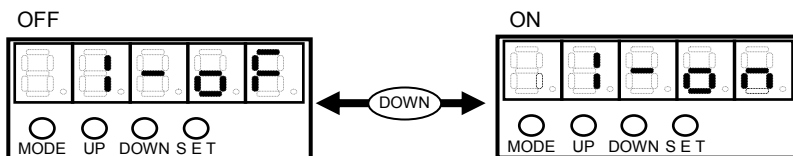


#### 2 Use the UP button to select the signal to be operated.



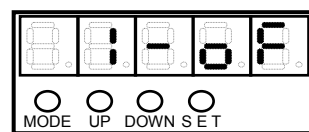
#### 3 Use the DOWN button to switch the ON/OFF status.

The output signal shown in the second digit will turn ON/OFF every time the DOWN button is pressed.



- First digit: Nothing is shown.
- Second digit: The number assigned to the output signal to be operated is shown. A number between [1] and [7] is shown, where 1, 2, ..., 7 indicate output 1, 2, ..., 7 can be operated, respectively.
- Third digit: [-] is shown.
- Fourth, fifth digits: The status of the output selected in the second digit is shown.
  - on: The signal is ON (output transistor is ON)
  - oF: The signal is OFF (output transistor is OFF)

First digit                      Fifth digit



#### 4 Press the SET button, and the display will return to [T01].

## T02: JOG speed setting

Set the speed of JOG operation.

Although the unit is r/min, this value indicates the actuator's motor rotation speed. The output shaft rotation speed is obtained by dividing the set value by the gear ratio.

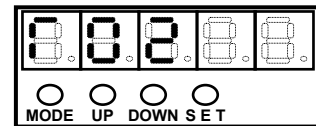
Setting range: 10 to 3000

Unit: r/min

### 1 Press the SET button.

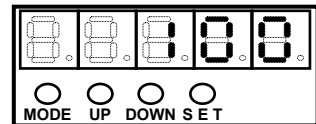
The set value of JOG speed is shown. (Unit: r/min)

- The display will not switch if the button is pressed for 1 second or longer.



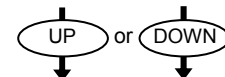
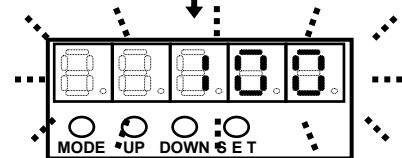
### 2 To change the set value, press the SET button and release it within 1 second.

The set value flickers to indicate that it can now be changed.



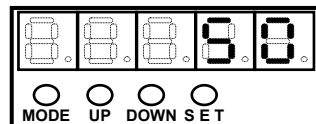
### 3 Change the set value.

Pressing the DOWN button decreases the value, while pressing the UP button increases the value.  
(Press and hold each button to change the value faster.)



### 4 To confirm the set value, press and hold the SET button until the set value stops flickering.

To restore the original set value, release the SET button before the set value stops flickering (within approx. 1 second).



## Caution

- The value set here is not stored. When the HA-800A driver power is reconnected, it will return to the default value 100.
- Set the speed as low as possible to enable checking. Avoid unexpected accidents resulting from high speed.

## T03: JOG acceleration/deceleration time constant setting

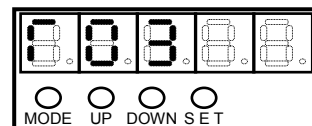
Set the acceleration/deceleration time constant to be applied during JOG operation.

The value set here corresponds to the time over which the actuator accelerates from the standstill state to the value set in system parameter mode 3 [SP51: Speed command input factor] or decelerates from the speed set by the speed command input factor to the standstill state.

Setting range: 1 to 9999

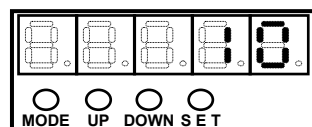
Unit: ms

**1 Press the SET button.**



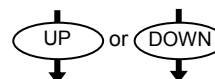
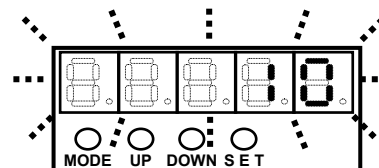
**2 To change the set value, press the SET button and release it within 1 second.**

The set value flickers to indicate that it can now be changed.



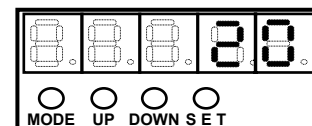
**3 Change the set value.**

Pressing the DOWN button decreases the value, while pressing the UP button increases the value.  
(Press and hold each button to change the value faster.)



**4 To confirm the set value, press and hold the SET button until the set value stops flickering.**

To restore the original set value, release the SET button before the set value stops flickering (within approx. 1 second).



### Caution

- The value set here is not stored.  
When the HA-800A driver power is reconnected, it will return to the default value 1.
- The value set here is not stored.  
When the driver power is reconnected, it will return to the default value.

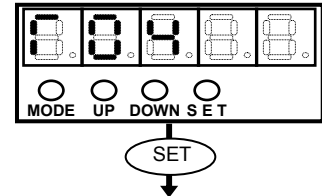
## T04: JOG operation

The actuator can be operated regardless of the input signals from the host. Any input signal operation performed during JOG operation is ignored. The data set in [T02: JOG speed] and [T03: JOG acceleration/deceleration time] is used to perform JOG operation of the actuator.

### 1 Press the SET button when the actuator servo is OFF.

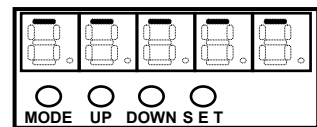
The actuator servo turns ON and JOG operation direction is displayed.

- The display will not switch if the button is pressed for 1 second or longer.

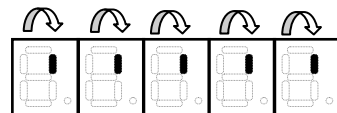


### 2 Press the UP or DOWN button to rotate the actuator.

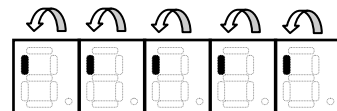
- The actuator rotates in the CW (clockwise) direction while the UP button is pressed. (The rotation direction is different depending on the actuator.) Release the UP button, and the actuator will stop. It rotates at the speed set in [T02: JOG speed setting]. Acceleration and deceleration conform to the data set in [T03: JOG acceleration/deceleration time].
- The actuator rotates in the CCW (counterclockwise) direction while the DOWN button is pressed. (The rotation direction is different depending on the actuator.) Release the DOWN button, and the actuator will stop. It rotates at the speed set in [T02: JOG speed setting]. Acceleration and deceleration conform to the data set in [T03: JOG acceleration/deceleration time].



Press the UP button, and the actuator will rotate in the CW direction.



Press the DOWN button, and the actuator will rotate in the CCW direction.



### 3 To end the operation, press the SET button.

The actuator servo turns OFF and the screen returns to the test mode number display.

- The display will not switch if the button is pressed for 1 second or longer.
- Here, the actuator servo is OFF. To turn ON the servo, turn ON [CN2-2: Servo-ON input]. (The servo turns OFF even when the servo-ON input is ON. Turn OFF the input and then turn it ON again.)



The actuator operates ignoring even the FWD/REV inhibit input signals; operate carefully paying attention to the surrounding conditions.

## T05: Parameter initialization

The tune mode parameters (excluding AJ16 and AJ17) and system parameters are reset to their default settings.

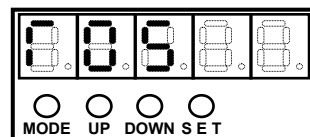
### Caution

- Perform this operation while the servo is OFF. After the initialization, be sure to reconnect the HA-800A driver power.
- All parameters are initialized (excluding AJ16 and AJ17). Since the I/O signal assignments and control mode settings are also initialized, it is recommended that you write down the necessary parameters or save them using PSF-800 before the initialization.

#### 1 Press the SET button.

The HA-800A driver displays the motor code of the applicable actuator currently set.

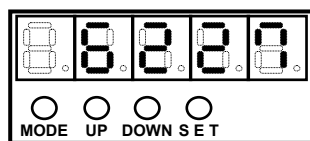
- The display will not switch if the button is pressed for 1 second or longer.



#### 2 Press the SET button.

The displayed motor code flickers.

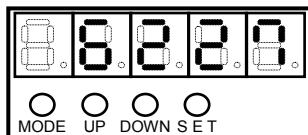
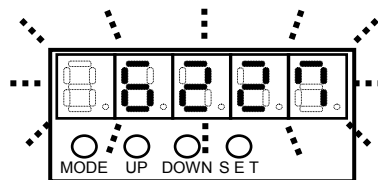
- To cancel the parameter initialization, press the UP or DOWN button. The screen returns to the test mode number display.



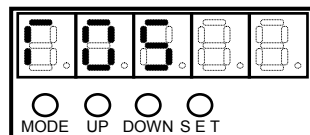
#### 3 Press and hold the SET button until the display stops flickering and becomes lit, and then release the button. (Approx. 1 second or more)

The motor code is initialized and the screen returns to the test mode number display.

- If the SET button is released before the display stops flickering and becomes lit, the motor code is not initialized and remains displayed.



If the button is released before the flickering stops and becomes lit, the motor code remains displayed and parameters are not initialized.



When the button is released after the flickering has stopped and become lit, the screen changes to the test mode number display, at which point the parameter initialization is already complete.

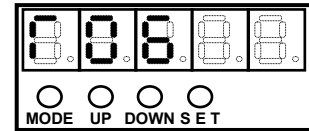
## T06: Automatic adjustment of speed command offset

The offset for speed command input circuit is adjusted automatically.

### 1 Press the SET button.

The HA-800A driver displays the speed command offset currently set.

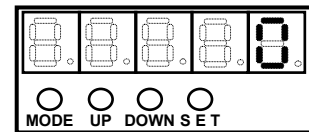
- The display will not switch if the button is pressed for 1 second or longer.



### 2 Press the SET button.

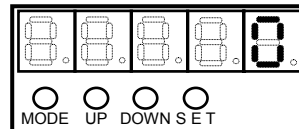
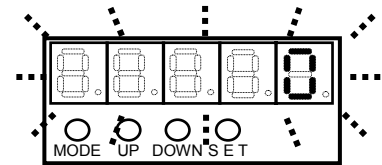
The displayed speed command offset flickers.

If you don't want to perform automatic adjustment, press the UP or DOWN button to return to the test mode number display.

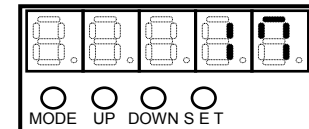


### 3 Press and hold the SET button until the flickering stops and becomes lit to perform automatic adjustment.

If the SET button is released before the flickering stops and becomes lit (within approx. 1 second), the speed command offset is not adjusted automatically.



If the button is released before the flickering stops and becomes lit, automatic offset adjustment is not performed.



Automatic offset adjustment for speed command is performed after the SET button has been held until the flickering stops and it becomes lit.

## T07: Automatic adjustment of torque command offset

The offset for torque command input circuit is adjusted automatically.

### 1 Press the SET button.

The HA-800A driver displays the torque command offset currently set.

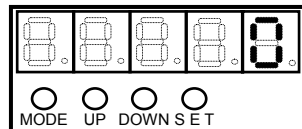
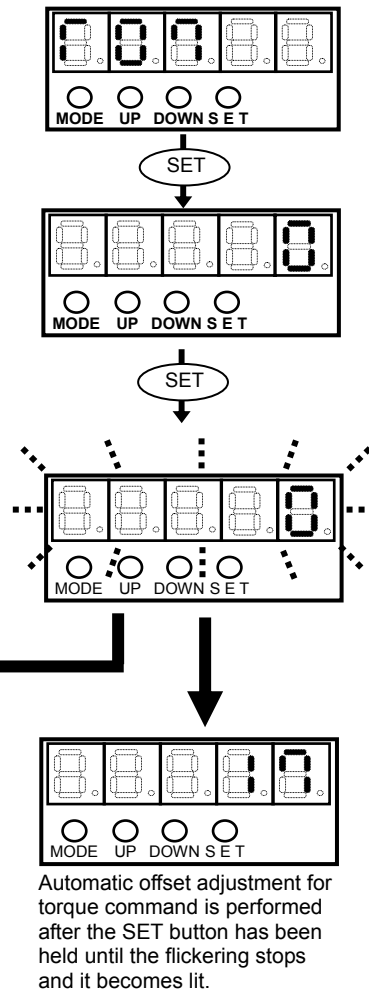
- The display will not switch if the button is pressed for 1 second or longer.

### 2 Press the SET button.

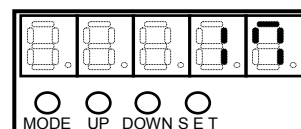
The displayed torque command offset flickers. If you don't want to perform automatic adjustment, press the UP or DOWN button to return to the test mode number display.

### 3 Press and hold the SET button until the flickering stops and becomes lit to perform automatic adjustment.

If the SET button is released before the flickering stops and becomes lit (within approx. 1 second), the torque command offset is not adjusted automatically.



If the button is released before the flickering stops and becomes lit, automatic offset adjustment is not performed.



Automatic offset adjustment for torque command is performed after the SET button has been held until the flickering stops and it becomes lit.



## T08: Multi revolution clear

Encoder multi revolution data can be cleared when an actuator equipped with a 13-bit absolute encoder or 17-bit absolute encoder is combined.

This parameter is also used when setting the origin. With a SHA series, FHA-C absolute system, FHA-Cmini absolute system, the multi revolution counter value must be set to zero at the origin.

### Caution

- A multi revolution clear command cannot be executed while the actuator servo is ON.
- After the multi revolution clear command, reconnect the HA-800A driver power. If the power is not reconnected, the servo cannot be turned ON and thus commands cannot be accepted.

**1** Move the actuator to its origin via manual JOG operation. (Only when setting the origin)

**2** Display [T08: Multi revolution clear] in the test mode.

**3** Press and hold the SET button for at least 0.1 second.  
[cLr] is shown.

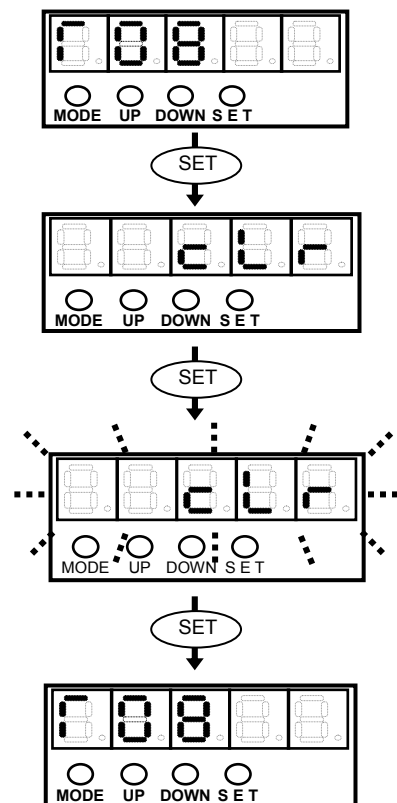
**4** Press the SET button.

Displayed [cLr] flickers.

- If you don't want to clear the multi revolution data, press the UP or DOWN button. The screen returns to the test mode number display.


**5** Continue to hold the SET button until the flickering stops and becomes lit.  
(Approx. 5 seconds or more)

- The multi revolution clear command is executed and the screen changes to the test mode number display.
- If the SET button is press and hold, and released before the flickering stops and becomes lit (within approx. 5 seconds), the multi revolution clear command is not executed and [cLr] remains displayed.



## T09: Auto-tuning

The load is estimated and auto-tuning is performed to set an optimal servo gain.



**WARNING**

Since the actuator moves to estimate the load, perform auto-tuning after thoroughly confirming safety. By default, the motor shaft moves 6,000 degrees in the CW direction and then 6,000 degrees in the CCW direction. The corresponding rotation angle of the actuator output shaft is obtained by 1/reduction ratio. In certain situations such as when the displacement of the system is limited, change the displacement by [T10: Auto-tuning displacement].

### Caution

- Auto-tuning is not performed until a signal is input to the CN2-2 pin and the actuator servo is turned ON. (A signal must be input to the CN2-2 pin.)
- Perform auto-tuning after canceling FWD inhibit or REV inhibit. (Cancel FWD/REV inhibit by inputting a signal to the CN2 or setting SP03/SP04.)

#### 1 Input the servo-ON signal via CN2.

This turns ON the servo.

#### 2 While [T09] is displayed, press the SET button.

[-A.c] is shown.

- The display will not switch if the button is pressed for 1 second or longer.

#### 3 Press the SET button.

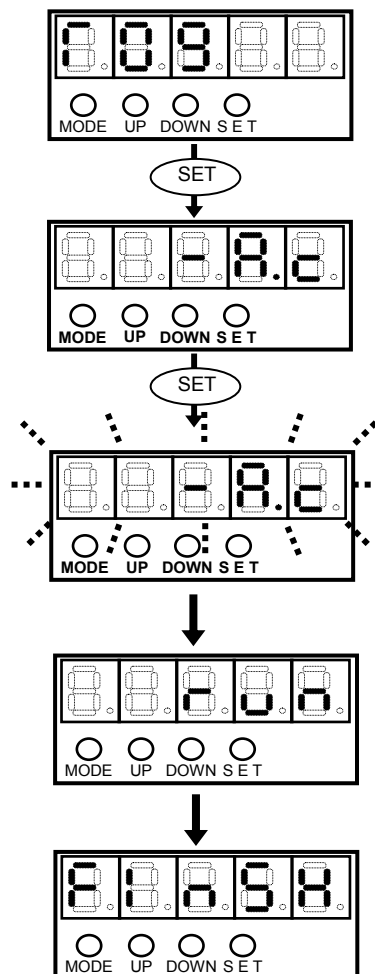
Displayed [-A.c] flickers.

#### 4 Press and hold the SET button for at least 0.1 second.

[-A.c] changes to [run] and the actuator is excited, after which it moves in the forward direction by the displacement set in [T10:Auto-tuning displacement]. Thereafter, the actuator moves in the CCW direction by the displacement set in [T10: Auto-tuning displacement].

If the main circuit power has not been turned ON or actuator does not move (= a servo alarm is output), [-A.c] does not change to [run].

- To cancel the auto-tuning, press the UP or DOWN button. The screen returns to the test mode number display.
- The actuator moves in forward/reverse directions for a while to estimate the load. When the load has been estimated, [run] changes to [FinSH] to indicate that the auto-tuning is complete. Pressing the UP or DOWN button on this display returns the screen to the test mode number display.



**Caution**

- Depending on the rotation position, a large load variation, does not allow the load to be estimated properly which makes auto-tuning impossible. Adjust using the manual.

**T10: Auto-tuning displacement**

Set the displacement of the motor during auto-tuning.  
 Setting range: 1500 to 6000°  
 Unit angle (°)

**1 While [T10] is displayed, press the SET button.**

The auto-tuning displacement is displayed.

- The display will not switch if the button is pressed for 1 second or longer.

**2 Press the SET button.**

The auto-tuning displacement flickers.

**3 Press the UP or DOWN button to change the auto-tuning displacement.**

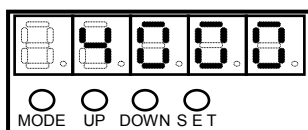
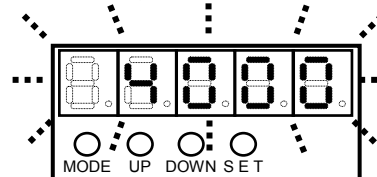
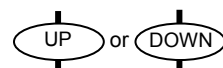
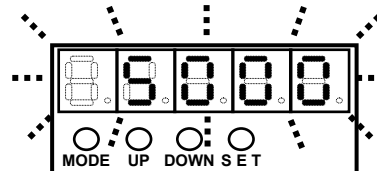
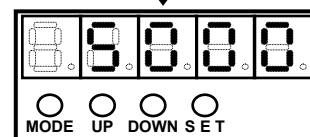
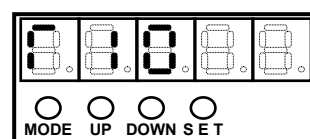
The value is set in angle (°) and the setting range is 1500 to 6000° (motor shaft).

- The load estimated by auto-tuning is subject to a maximum erroneous difference of approx. ±15%. To minimize the erroneous difference, set the auto-tuning displacement as long as possible.

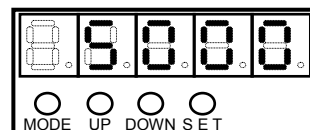
**4 Hold the SET button until the auto-tuning displacement stops flickering and becomes lit.**

The set value becomes effective.

- If you don't want to apply the set value, release the SET button before the flickering stops and becomes lit.



Hold the SET button until the flickering stops and becomes lit and then release the button to make the set value effective.



If the SET button is released before the flickering stops and becomes lit, the set value is not applied.

**9** Test mode

**Caution**

The set value of auto-tuning displacement is not saved. When the HA-800A driver is restarted, the set value returns to the default (6000°).

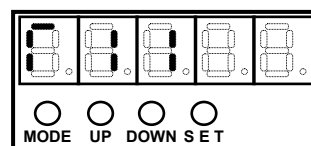
**T11: Auto-tuning level selection**

Select the level of auto-tuning. Increasing the value set here improves the response, but vibration may also increase depending on the system.

**1 While [T11] is displayed, press the SET button.**

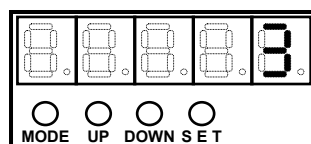
The auto-tuning level selection is displayed.

- The display will not switch if the button is pressed for 1 second or longer.



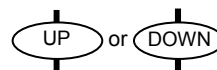
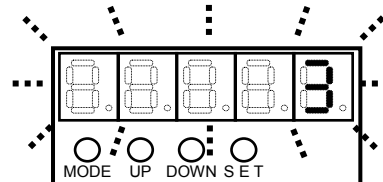
**2 Press the SET button.**

The auto-tuning level selection flickers.



**3 Press the UP or DOWN button to change the auto-tuning level.**

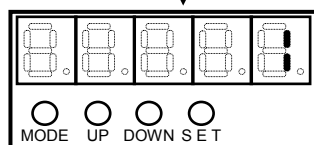
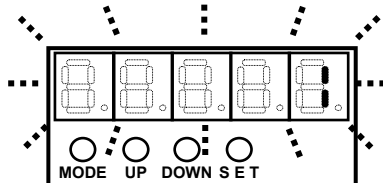
The setting range is 1 to 5.



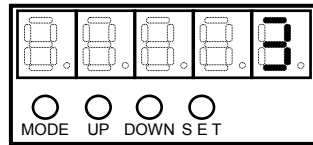
**4 Hold the SET button until the auto-tuning level selection stops flickering and becomes lit.**

The set value becomes effective.

- If you don't want to apply the set value, release the SET button before the flickering stops and becomes lit. The set value of auto-tuning level selection is not saved.



Hold the SET button until the flickering stops and becomes lit and then release the button to make the set value effective.



If the SET button is released before the flickering stops and becomes lit, the set value is not applied.

---

**Caution**

The set value of auto-tuning level is not saved.  
When the HA-800A driver is restarted, the set value returns to the default (3).

---



Test mode

# Chapter 10

## Communication software

---

How you can use the dedicated personal computer software to check I/O signal statuses, rotation speeds and other servo statuses, perform auto-tuning, set parameters, assign I/O signals and monitor servo operation waveforms are explained in this chapter.

10-1	Overview	10-1
10-2	Auto-tuning	10-8
10-3	Parameter setting	10-10
10-4	Assigning I/O signals	10-12
10-5	Saving and reading set values	10-15
10-6	Test operation	10-21
10-7	Output signal operation	10-22
10-8	IO monitor	10-23
10-9	Waveform monitoring	10-24
10-10	Alarms	10-26

# 10-1 Overview

PSF-800 is a communication software program that lets you change driver parameters and monitor operation waveforms, etc., from a personal computer.

## Operating environment

PSF-800 needs the following environment to operate correctly.

Be sure to use PSF-800 in the following environment to prevent malfunction.

Item	Environment
Computer	Personal computer running Windows Me, NT, 2000 or XP, having a built-in RS-232C communication port or USB* port
OS	Windows Me, NT, 2000, XP
Memory	Memory size required by each OS or more
Hard disk	Free disk space of 3 MB or more (Additional free disk space is needed if created data will be saved.)
Display	256 colors or more
Others	<ul style="list-style-type: none"> <li>• Microsoft mouse, Microsoft Intel mouse or other compatible pointing device</li> <li>• Printer operating on the specified OS, if created data will be printed</li> </ul>

## Caution

- Download the latest version of PSF-800 from our web site.

## Setup

### 1 Download PSF-800.

Download the software from our website (<http://www.hds.co.jp>).

### 2 Install PSF-800.

Extract the files from the downloaded folder and run SETUP.EXE to set up the software according to the on-screen instructions.

- **Using a USB port**

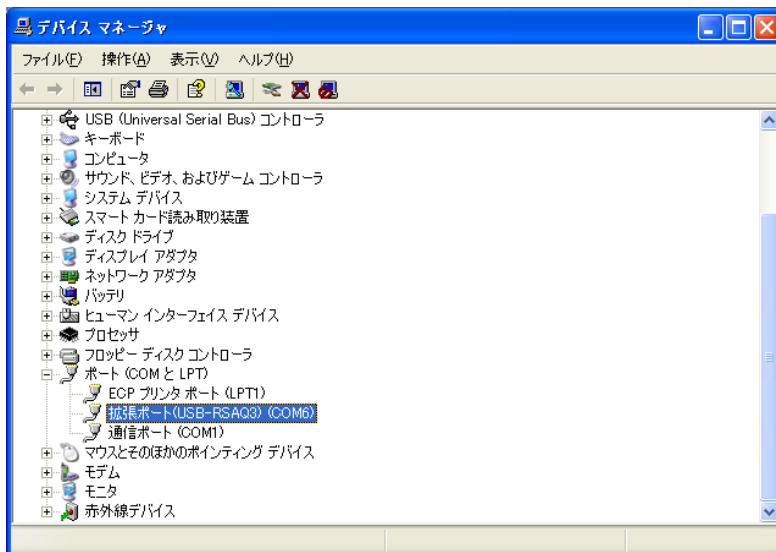
If a USB port is used, you need an adapter to convert the USB port to a RS-232C port. (USB-RSAQ3 IO Data, etc.)

The built-in RS-232C port of the personal computer is normally assigned to COM1. However, this assignment changes if a USB conversion adapter is used. Perform the following setting procedure:

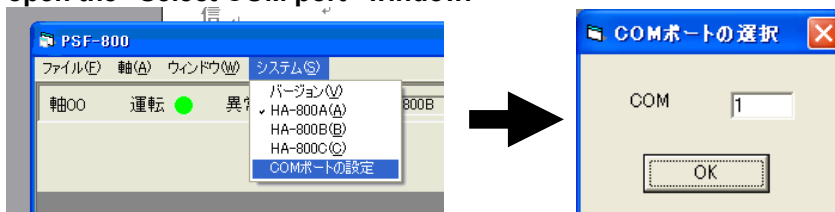
**(1) Go to "Control Panel", open "System", and display "Device Manger".**



- (2) Check the port assignments (COM and LPT1).  
(In the following example, COM6 is assigned.)



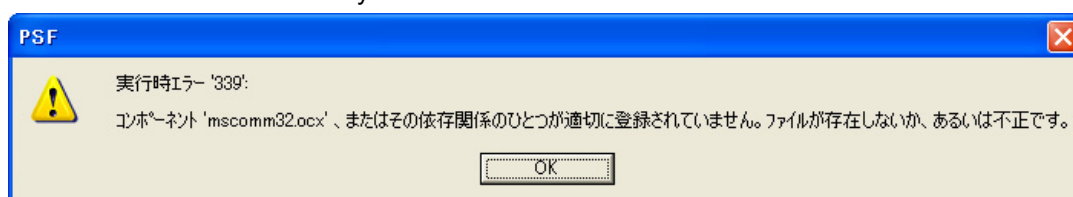
- (3) Choose "System (S)" from the menu, and then scroll down to "Select COM port" to open the "Select COM port" window.



Set the verified port number from (2), and then click the "OK" button. Next, start the PSF-800 to make the COM port number set earlier effective.

- (4) A VB6 runtime library is needed to run PSF-800.

If this VB6 runtime library is not yet installed, the following message is shown on the personal computer. Take note that the files you have downloaded from our website do not include the VB6 runtime library.



If the VB6 runtime library is not yet installed, you can download it from the following URL:  
<http://www.vector.co.jp/soft/win95/util/se188840.html>

### 3 Confirm the installation.

When the installation is complete, use a dedicated communication cable\* to connect the personal computer and HA-800. Start and then shut down PSF-800 to confirm that the software has been installed correctly.

Start PSF-800 after turning on the control circuit power of the HA-800.

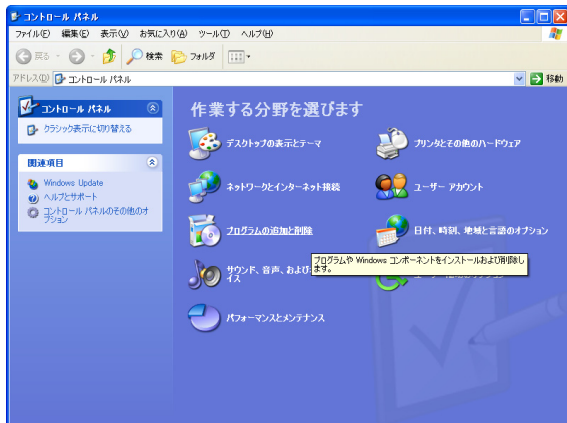
If the connection is unstable, use toroidal core for the communication cable.

\*: Dedicated communication cable  
RS-232C communication cable: EWA-RS03

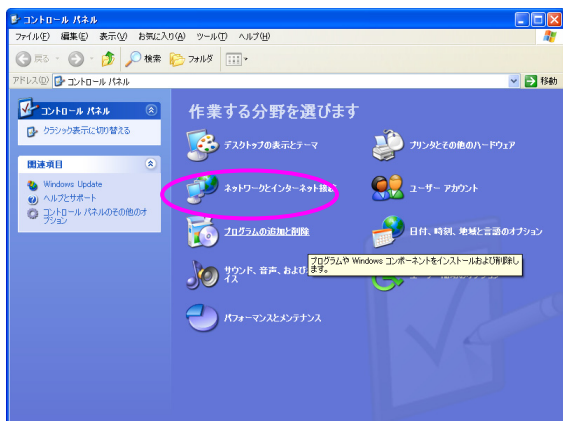
## Uninstalling the software

To uninstall PSF-800 from the hard disk, follow the procedure below. Once uninstalled, PSF-800 can no longer be started on that personal computer. To use PSF-800 again, reinstall it according to the installation procedure.

### 1 Open "Control Panel".



### 2 Click "Add/Remove Programs".



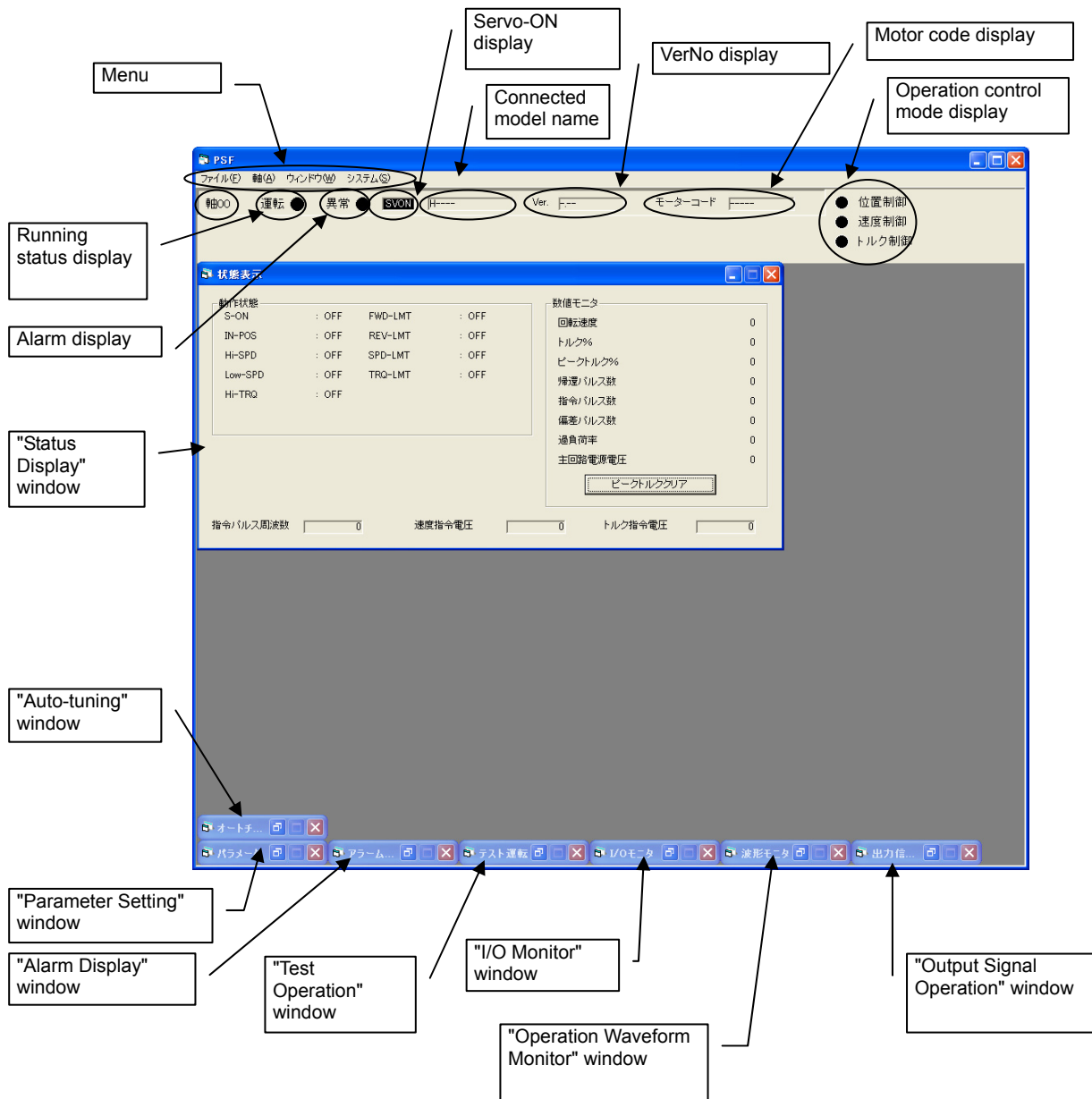
### 3 Select and remove the PSF-800 program.

Select PSF-800 and then click the "Change/Remove" button, and PSF-800 will be uninstalled from the hard disk.



## Initial screen

The initial screen of PSF-800 is shown below.



## Menu

- **"File"**

"Open".....Read parameter set value, test operation patterns or waveform monitoring data from files by setting parameters, performing test operations or operating the waveform monitoring function.

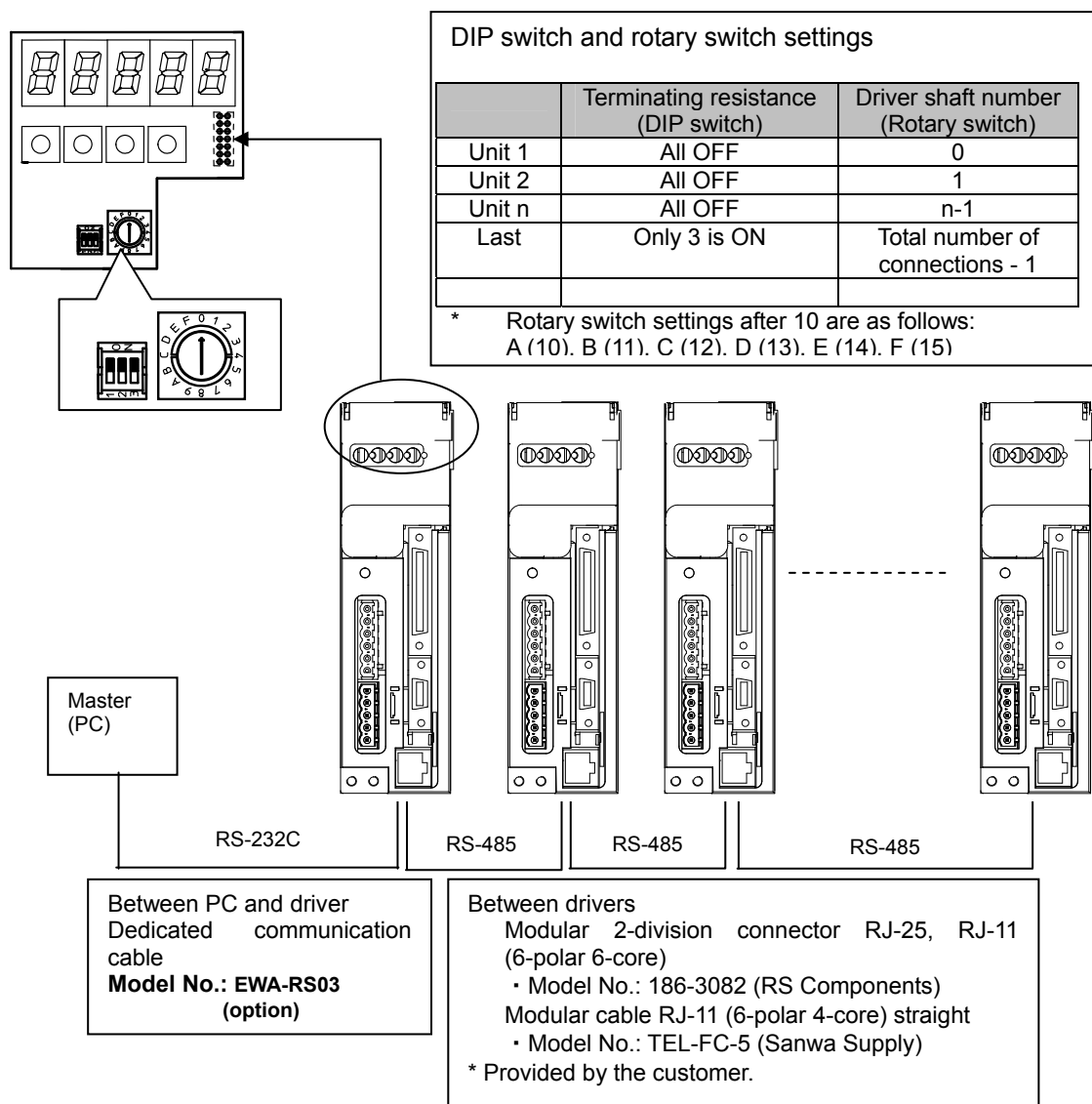
"Save As".....Save parameter set value, test operation patterns or waveform monitoring data to files after setting parameters, performing test operations or operating the waveform monitoring function.

"Exit".....Exit the program.

- **"Axis"**

PSF-800 can be connected to and operate up to 16 HA-800A units (only one unit can be connected/operated in the case of HA-800B and HA-800C). If multiple axes are connected, go to the Axis menu to set the axis number of each unit to communicate with.

Connection example of PSF-800 and HA-800A



- **"Window"**

Although the status display screen opens when the software is started, you can change the initial screen in the Window menu.

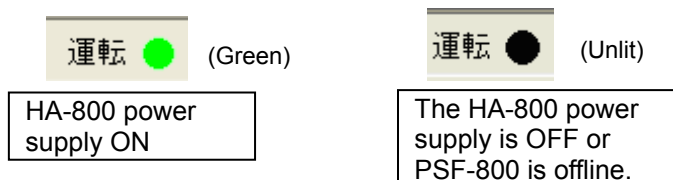
## Detailed display area

- **Axis number display**

If connected to PSF-800, up to 16 HA-800A units can be operated from the software. The axis number display shows the axis number of the unit currently operated.

- **Running status display**

A steady green light comes on when the HA-800 is connected to PSF-800 and its power supply is turned ON.



- **Alarm display**

A red light flickers when the HA-800 is generating an alarm.



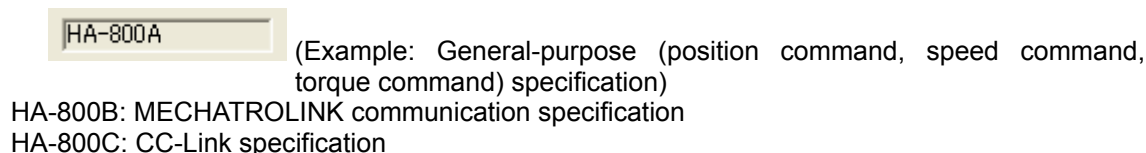
- **Excited status display**

A steady red light comes on when the actuator servo is ON.



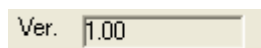
- **Connected model name display**

The model name of the connected HA-800 is shown.



- **Version number display**

The software version of the connected HA-800 is shown.



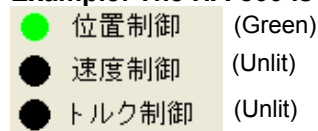
- **Motor code display**

The code number of the applicable actuator set in the HA-800 is shown.

- **Operation control mode display**

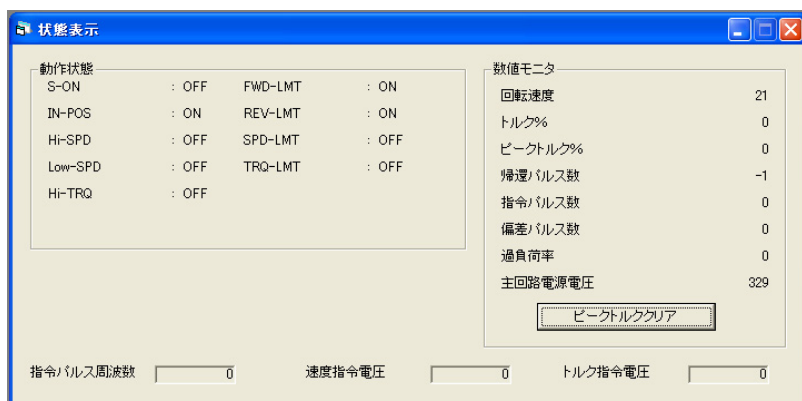
The operation mode of the HA-800 is shown. The steady green light indicates the mode in which the HA-800 is currently operating.

**Example: The HA-800 is operating in the position control mode**



## Status display

In the "Status Display" window, you can monitor the operating status and values.



### Operating status display

Name	Explanation
S-ON	ON is shown if the actuator servo is ON.
IN-POS	ON is shown during position control if the deviation counter value is within the in-position range set by an adjustment parameter.
Hi-SPD	ON is shown if the motor speed drops to or above the attained speed judgment set by an adjustment parameter.
Low-SPD	ON is shown if the motor speed drops to or below the zero speed judgment value set by an adjustment parameter.
Hi-TRQ	ON is shown during torque control if the motor's output torque rises to or above the attained torque judgment value set by an adjustment parameter.
FWD-LMT	ON is shown if the FWD inhibit signal is enabled.
REV-LMT	ON is shown if the REV inhibit signal is enabled.
SPD-LMT	ON is shown if the motor rotation speed is limited.
TRQ-LMT	If the driver's output torque is set to torque limiting, ON is shown.

### Value monitor

Name	Explanation
Rotation speed	The rotation speed of the motor is shown.
Torque %	It displays the current torque value %, setting the maximum output torque of the actuator to be 100%.
Peak torque %	It displays the output torque peak value %, by setting the maximum output torque of the actuator as 100%. Clicking the "Clear Peak Torque" button clears this field.
Feedback pulses	The value of the encoder feedback pulse counter is shown.
Command pulses	The value of the driver command pulse counter is shown.
Error pulses	The value calculated by subtracting the feedback pulse counter value from the command pulse counter value (deviation) is shown.
Overload rate	The overload rate is shown. If this value is not 0, the actuator is overloaded.
Main circuit power voltage	The rectified AC voltage of the main circuit is shown.
Regenerative power	It indicates absorbed power of regenerative resistor as percentage (unit: 0.01%). The value can be converted to absorbed power of resistor using the following formula. $\text{Regenerative resistor absorption} = 16000 \text{ (W)} \times \frac{\text{Display value [0.01\%]}}{10000 \text{ [0.01\%]}}$ Ex) When display value = 10, resistor absorption power = 16W  *This value monitor is available only for HA-800A-24. With the HA-800A-1, 3 and 6, the power absorbed by regenerative resistor is unrelated.

## 10-2 Auto-tuning

Auto-tuning is a function that allows the driver to estimate the load and automatically adjust the servo gain to an appropriate value. The auto-tuning method is explained below.



Since the actuator moves to estimate the load, perform auto-tuning after thoroughly confirming safety.

By default, the motor shaft moves 6,000 degrees in the CW direction and then 6,000 degrees in the CCW direction.

The corresponding rotation angle of the actuator output shaft is obtained by 1/reduction ratio. In certain situations such as when the displacement of the system is limited, change the displacement.

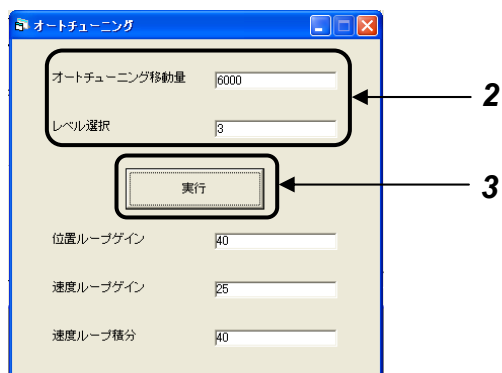
### Caution

- Auto-tuning is not performed until a signal is input to the CN2-2 pin and the actuator servo is turned ON. (A signal must be input to the CN2-2 pin.)
- Perform auto-tuning after canceling FWD inhibit or REV inhibit. (Cancel FWD/REV inhibit by inputting a signal to the CN2 or setting SP03/SP04.)

### 1 Input the servo-ON signal via CN2.

This turns ON the servo.

### 2 Set the auto-tuning displacement and level in the "Auto-tuning" window.

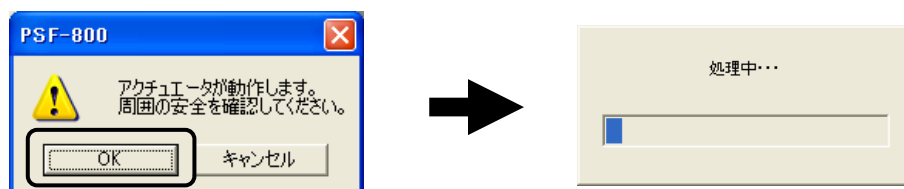


Set value	Explanation
Auto-tuning displacement	Set the travel angle by which the motor shaft turns when estimating the load. The displacement of the actuator's output shaft is calculated by 1/reduction ratio. A desired value of 1,500 to 6,000 degrees can be set. Set as large a value as possible to improve the accuracy of load estimation.
Level selection	Select the level of auto-tuning. A desired value between 1 and 5 can be set. The higher the level, the higher the servo rigidity becomes after tuning.

### 3 Click the "Execute" button.

**4 When an alert message is displayed, click the "OK" button if no problem is found.**

Auto-tuning is performed and the motor rotates. A progress screen is displayed during auto-tuning. Perform auto-tuning after thoroughly checking the condition of equipment and surrounding areas.

**5 When the auto-tuning is completed, the servo gain is displayed.**

After the auto-tuning, the "Position Loop Gain", "Speed Loop Gain" and "Speed Loop Integration" are changed to values appropriate for the estimated load.

**Caution**

- Depending on the rotation position, a large load variation, does not allow the load to be estimated properly which makes auto-tuning impossible. Adjust using the manual.



## 10-3 Parameter setting

In the "Parameter Setting" window, you can check and change the values set in tune mode parameters and system parameters.

### 10-3-1. Editing and initializing internal parameters of the driver

The following explains how to edit the set values for internal parameters of the driver during communication.

The screenshot shows the 'パラメータ' window with a table of parameters. The table has two columns: '現在値' (Current Value) and 'サーボの値' (Servo Value). The '現在値' column for parameter AJ21 is highlighted in red. Three numbered arrows point to the 'Load from Servo' button (1), the 'Write to Servo' button (3), and the 'Current Value' field (2).

Adjustment 1: The set values for adjustment mode parameters AJ00 to AJ19 can be checked and changed.

Adjustment 2: The set values for adjustment mode parameters AJ20 to AJ23 can be checked and changed. AJ24 to AJ39 are reserved for the system.

Adjustment 3: This is reserved for the system.

System 1: The set values for system parameters SP00 to SP19 can be checked and changed.

System 2: The set values for system parameters SP20 to SP39 can be checked and changed.

System 3: The set values for system parameters SP40 to SP59 can be checked and changed.

System 4: The set values for system parameters SP60 to SP63 can be checked and changed. SP64 to SP79 are reserved for the system.

#### 1 Open the "Parameter Setting" window.

In the "Parameter Setting" window, click the "Load from Servo" button.

The currently set values are loaded from the driver and displayed in the [Servo Value] and [Current Value].

#### 2 Click the "Current Value" field of the parameter you want to change, and enter the desired value.

The parameter you have changed illuminates in red.

#### 3 Click the "Write to Servo" button.

The new value (the contents of the [Current Value]) is transferred to the driver.

\*The [Servo Value] display will not be updated after [Write to Servo] is executed.

Executing [Load from Servo] updates the [Servo Value] and the latest set values after the writing for internal parameters of the driver are displayed.

### Caution

- If the writing cannot be executed correctly due to the communication errors etc., a warning message is displayed. Execute [Write to Servo] again.

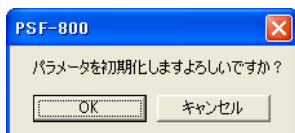
## Procedure to reset parameters to their defaults (factory-set values)

### Caution

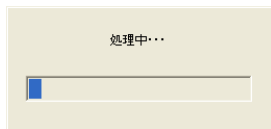
- Perform this operation while the servo is OFF. After the initialization, be sure to reconnect the HA-800A driver power.
- All parameters are initialized (excluding AJ16 and AJ17).  
Since the I/O signal assignments and control mode settings are also initialized, it is recommended that you write down the necessary parameters or SAVE them before the initialization. The parameters can be saved or read for the set values on a PC in accordance with [10-5 Saving the set values].

#### 4 Click the “Default Settings” button.

Verification screen is shown. Click the "OK" button to initialize. Click the "Cancel" button to stop initialization.



#### 5 A progress screen is displayed. Wait for a while, and the values will return to their defaults.



## 10-4 Assigning I/O signals

The following explains how to assign I/O signals to/from the host device. For the I/O signals, refer to [Chapter 5 I/O signals].

### Assigning input signals

In the "Input Signals" tab of the "I/O Setting" window, you can set how various input settings are assigned to input pins, along with the applicable logics. You can select desired input pins from among the input pins IN1 to IN8 of the CN2 connector (pins 2 to 7, 9 and 10 of CN2).

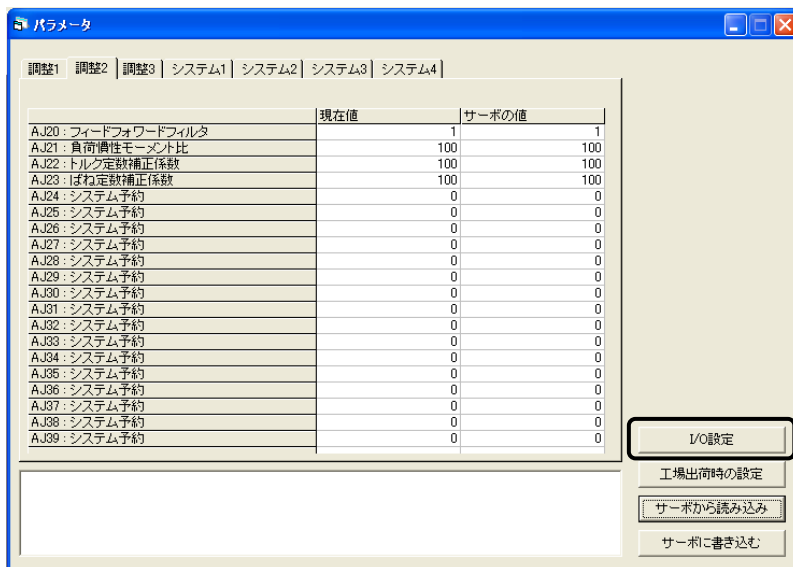
Multiple input settings can be assigned to one input pin. It is also possible not to assign any input pin to a given input setting.

### Caution

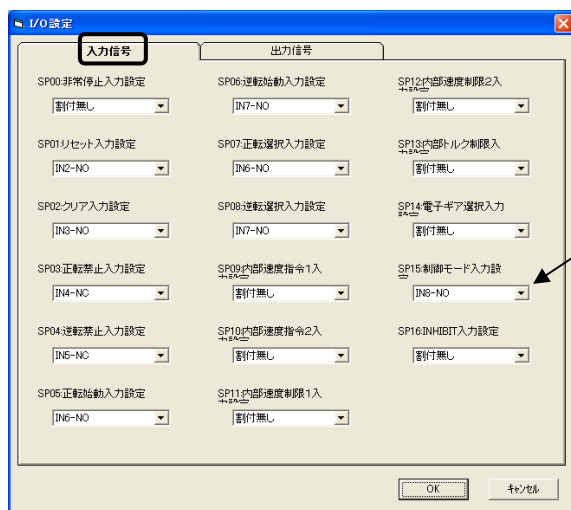
- Multiple input signals can be assigned to one pin. Unnecessary signals should be deleted from the pin assignments. If unnecessary signals are assigned, the system will not operate as expected.
- With signals that are not assigned to pins, their functions are enabled. For example, setting the normally closed (contact B) logic without assigning the emergency stop signal to a pin will cause the system to remain in an emergency stop state. The functions of all other input signals are also enabled. So, exercise caution that setting the normally closed (contact B) logic will enable the functions of these other signals at all times.

### 1 In the "Parameter Setting" window, click the "I/O Setting" button.

Click the "Load from Servo" button to activate.



**2** Click the "Input Signals" tab and select the input pins to which to set various input signals.



Set the assignment and logic for each input signal.  
 (Example) Assign the control mode input to input 8 (pin 10 of CN2) based on the normally open logic (enabled when the opt-isolator is ON).

**3** When all settings are completed, click the "OK" button.

**4** Click the "Write to Servo" button.

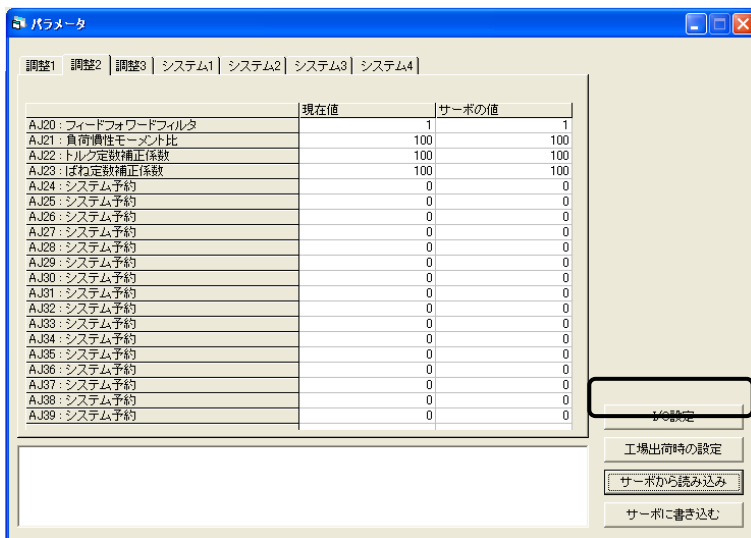
The set values are written to the servo.

### Assigning output signals

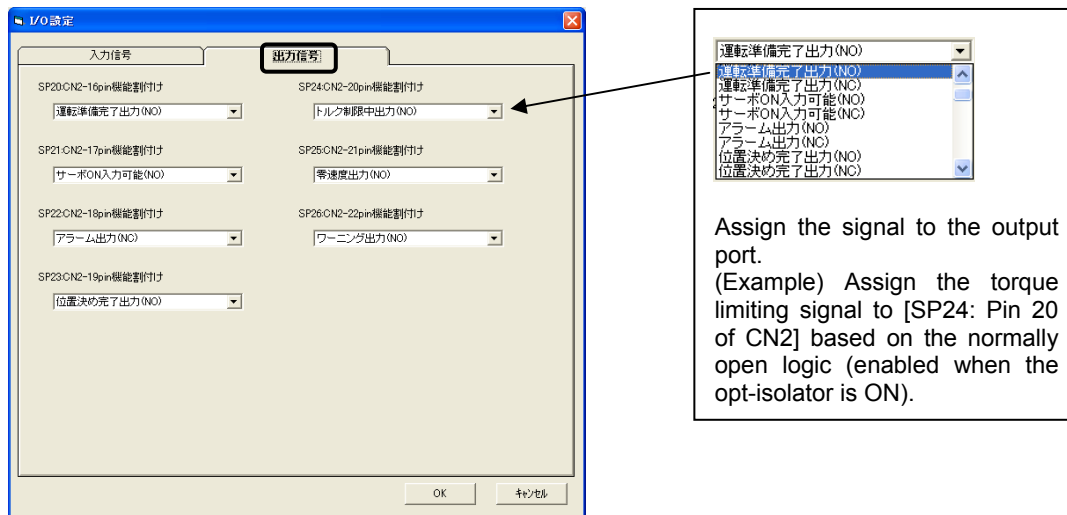
In the "Output Signals" tab of the "I/O Setting" window, you can assign output signals to respective output pins, along with the applicable logics. Multiple output signals cannot be assigned to one pin.

- 1 In the "Parameter Setting" window, click the "I/O Setting" button.

Click the "Load from Servo" button to activate.



- 2 Click the "Output Signals" tab and select the output signal for each output pin.



Assign the signal to the output port.  
 (Example) Assign the torque limiting signal to [SP24: Pin 20 of CN2] based on the normally open logic (enabled when the opt-isolator is ON).

- 3 When all settings are completed, click the "OK" button.

- 4 Click the "Write to Servo" button.

The set values are written to the servo.

## 10-5 Saving and reading set values

The following explains how to back up the set values to a personal computer.

Save parameter set value, test operation patterns, and waveform monitor data in files from the parameter setting, test operation, and waveform monitoring windows, respectively. Execute saving and reading set values for each window with the each window open. The following explains procedures within the parameter window.

### 10-5-1. Saving set parameter values

The following explains how to back up the set values for internal parameters of the driver to a personal computer.

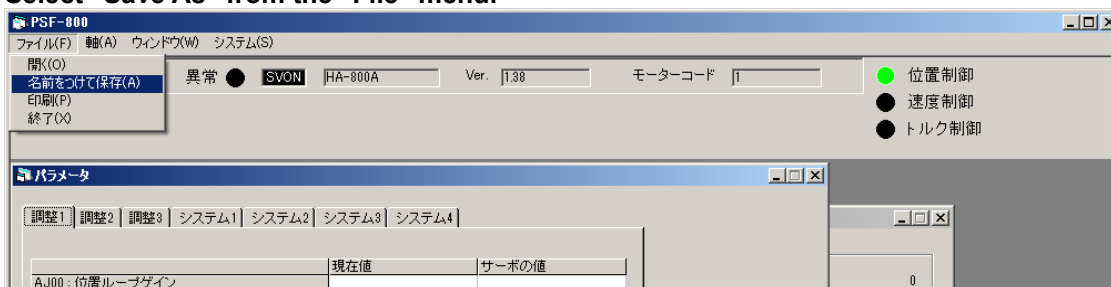
#### Saving procedure

**1** Open the "Parameter Setting" window. (Same as step 1 in 10-3-1)

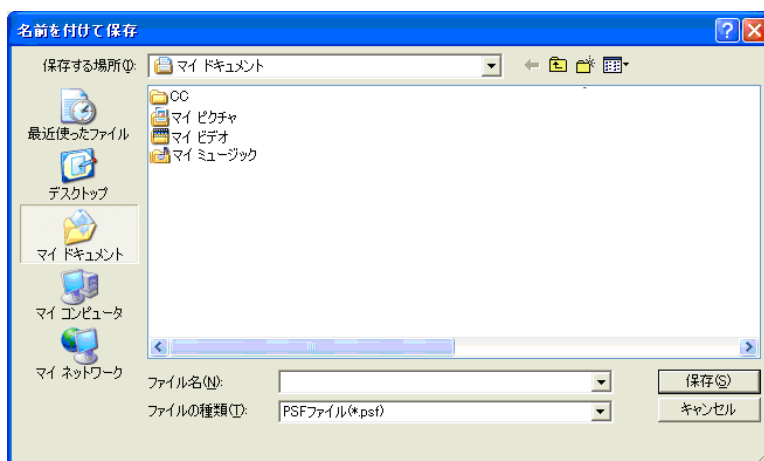
In the "Parameter Setting" window, click the "Load from Servo" button.

The currently set values are loaded from the driver and displayed in the [Servo Value] and [Current Value].

Select "Save As" from the "File" menu.



**2** Set a desired folder and file name, and click the "Save" button.



#### Caution

- Be sure to perform "Load from Servo" before performing "Save As".
- The parameters saved by this operation are [Adjustment 1], [Adjustment 2], [Adjustment 3], [System 1], [System 2], [System 3], [System 4].

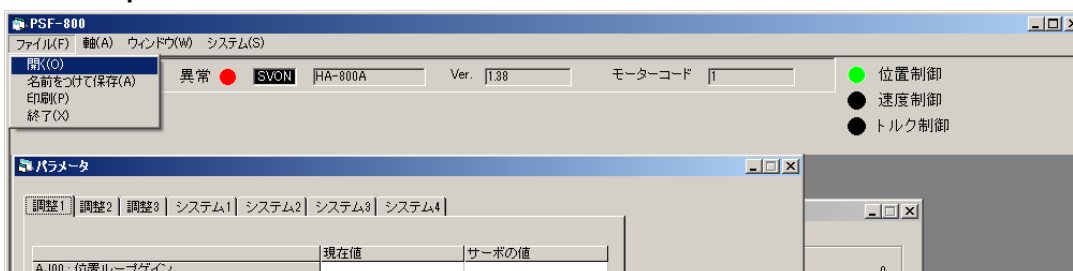
## 10-5-2. Reading saved set value files

The following explains how to read set values backed up on a personal computer.

The set values can be compared or copied while connected to the driver, or saved set values can be checked offline while disconnected from the driver.

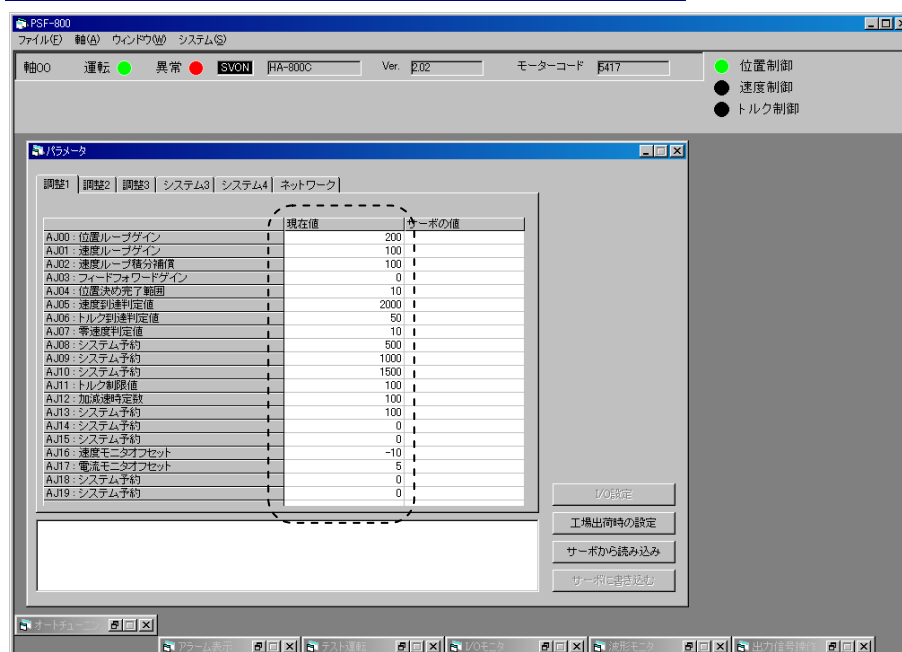
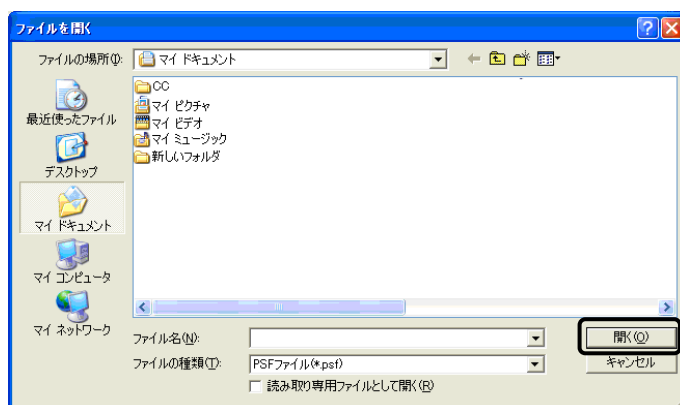
### Loading procedure

- 1 Open the "Parameter Setting" window.  
Select "Open" from the "File" menu.



- 2 Set a desired file name, and click the "Open" button.

The set values for the saved settings file are loaded and displayed in the [Current Value].



### 10-5-3. Comparing a saved settings file with internal set values of the driver

The following explains how to compare the set values backed up on a personal computer with internal parameters of the driver during communication. \*Comparison is a function that can be used with the parameter window only.

#### Comparison procedures

- 1 Read the internal parameters of the driver during communication. (Same as step 1 in 10-3-1)

Open the "Parameter Setting" window.

In the "Parameter Setting" window, click the "Load from Servo" button.

The currently set values are loaded from the driver (internal parameters of the driver during communication) and displayed in the [Servo Value] and [Current Value].

- 2 Read the saved settings file. (Same as steps 1 to 2 in 10-5-2)

Select "Open" from the "File" menu.

Set a desired file name, and click the "Open" button.

The set values for the saved settings file are loaded and displayed in the [Current Value].

The differences between the set values for the saved settings file and the set values for the internal parameters of the driver during communication are displayed in red.

Adjustment 1 (AJ00 to AJ19)

Current value:  
Parameter set values for saved settings file

Servo value:  
Set values for internal parameters of the driver during communication

Parameter	現在値 (Current Value)	サーボの値 (Servo Value)
AJ00: 位置ループゲイン	150	40
AJ01: 速度ループゲイン	100	25
AJ02: 速度ループ積分補償	100	40
AJ03: フィードフォワードゲイン	0	0
AJ04: 位置決め完了範囲	10	10
AJ05: 速度到達判定値	2000	2000
AJ06: トルク到達判定値	50	50
AJ07: 零速度判定値	10	10
AJ08: 内部速度指令1	500	500
AJ09: 内部速度指令2	1000	1000
AJ10: 内部速度指令3	1500	1500
AJ11: トルク制限値	100	100
AJ12: 加速時定数	100	1
AJ13: 減速時定数	100	1
AJ14: 外部速度指令オフセット	0	0
AJ15: 外部トルク指令オフセット	0	0
AJ16: 速度モニタオフセット	19	19
AJ17: 電流モニタオフセット	11	11
AJ18: システム予約	0	0
AJ19: システム予約	0	0

Red: Differences

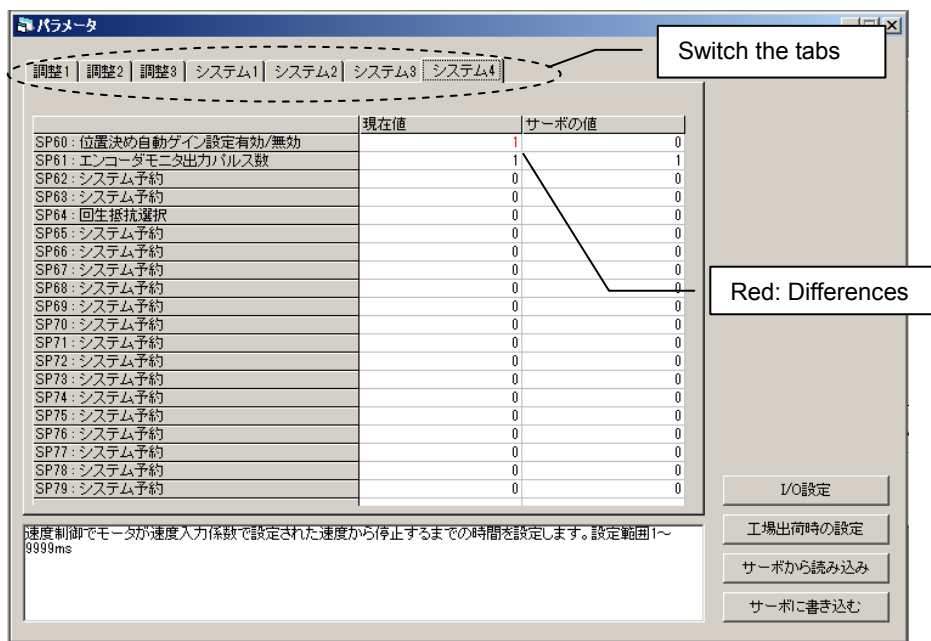
速度制御でモータが速度入力係数で設定された速度から停止するまでの時間を設定します。設定範囲1~9999ms

I/O設定  
工場出荷時の設定  
サーボから読み込み  
サーボに書き込む



### 3 Switch the tabs to check all the comparison results.

Switch the tabs to check the comparison results for all the following parameters: [Adjustment 1], [Adjustment 2], [Adjustment 3], [System 1], [System 2], [System 3], [System 4].



### Caution

- The default setting of the system reservation may vary depending on the model/version. Therefore, the differences in the system reservation can be seen in the comparison results, but this is not a problem (It does not affect the product functions).

## 10-5-4. Writing a saved settings file to the driver

The following explains how to write (copy) the set values backed up on a personal computer to the internal parameters of the driver during communication.

### Comparison procedures

- 1 Read the internal parameters of the driver during communication. (Same as step 1 in 10-3-1)

Open the "Parameter Setting" window.

In the "Parameter Setting" window, click the "Load from Servo" button.

The currently set values are loaded from the driver (internal parameters of the driver during communication) and displayed in the [Servo Value] and [Current Value].

- 2 Read the saved settings file. (Same as steps 1 to 2 in 10-5-2)

Select "Open" from the "File" menu.

Set a desired file name, and click the "Open" button.

The set values for the saved settings file are loaded and displayed in the [Current Value].

The differences between the set values for the saved settings file and the set values for the internal parameters of the driver during communication are displayed in red.

パラメータ	現在値	サーボの値
AJ00: 位置ループゲイン	150	40
AJ01: 速度ループゲイン	100	25
AJ02: 速度ループ積分補償	100	40
AJ03: フィードフォワードゲイン	0	0
AJ04: 位置決め完了範囲	10	10
AJ05: 速度到達判定値	2000	2000
AJ06: トルク到達判定値	50	50
AJ07: 零速度判定値	10	10
AJ08: 内部速度指令1	500	500
AJ09: 内部速度指令2	1000	1000
AJ10: 内部速度指令3	1500	1500
AJ11: トルク制限値	100	100
AJ12: 加速時定数	100	1
AJ13: 減速時定数	100	1
AJ14: 外部速度指令オフセット	0	0
AJ15: 外部トルク指令オフセット	0	0
AJ16: 速度モニタオフセット	19	19
AJ17: 電流モニタオフセット	11	11
AJ18: システム予約	0	0
AJ19: システム予約	0	0

速度制御でモータが速度入力係数で設定された速度から停止するまでの時間を設定します。設定範囲1~9999ms

I/O設定  
工場出荷時の設定  
サーボから読み込み  
サーボに書き込む

- 3 Click the "Write to Servo" button. (Same as step 3 in 10-3-1)

The set values for the saved settings file displayed in the [Set Value] is written to the driver during communication.

\*The [Servo Value] display will not be updated after [Write to Servo] is executed.

Executing [Load from Servo] updates the [Servo Value] and the latest set values after the writing for internal parameters of the driver are displayed.

**Caution**

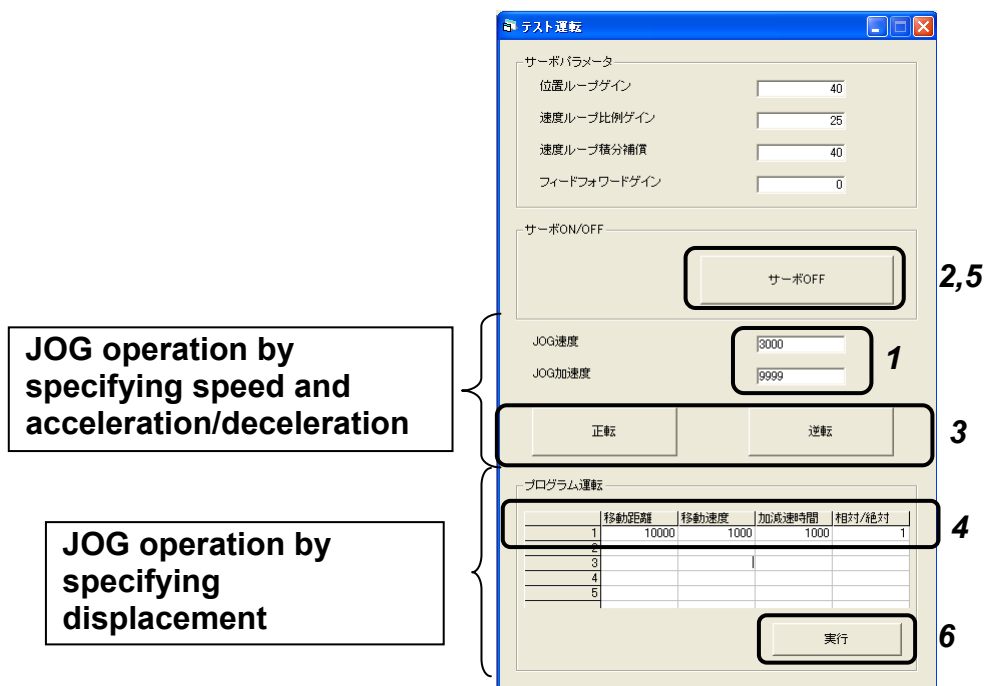
- If the writing cannot be executed correctly due to the communication errors etc., a warning message is displayed.  
Execute [Write to Servo] again.
  - If the warning message is displayed repeatedly, perform the parameter comparison and identify the parameters that cannot be copied.  
As a result of comparison, if the parameter displayed as different (the parameter that cannot be written (copied)) is the system reservation only, it does not affect the product functions.
- 

**Caution**

- The parameters written (copied) by this operation are [Adjustment 1], [Adjustment 2], [Adjustment 3], [System 1], [System 2], [System 3], [System 4].
-

## 10-6 Test operation

You can specify a speed to perform simple JOG operation, or perform JOG operation by specifying a displacement. Note, however, do not perform T04 test operation by pressing the driver push-button simultaneously. The operation becomes unstable.



### JOG operation by specifying speed and acceleration/deceleration

- 1 Set the JOG speed (r/min) and JOG acceleration/deceleration time (ms)\*1.
- 2 Click the "Servo-ON" button to activate the servo-ON of the actuator.  
The button text changes to "Servo OFF".
- 3 Bring the mouse cursor to the "FWD" button. The actuator moves in the forward direction while the "FWD" button is held down with the mouse. To move the actuator in the reverse direction, click the "REV" button.

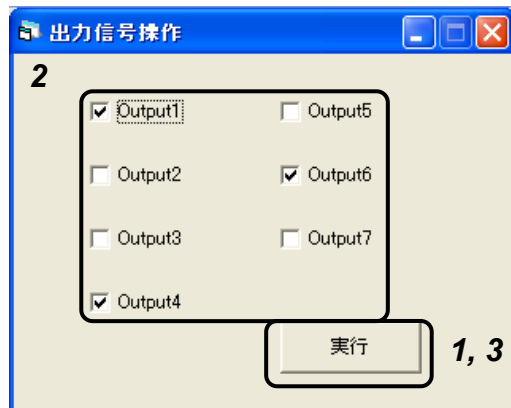
### JOG operation by specifying displacement

- 4 Set the JOG speed (r/min), JOG acceleration/deceleration time (ms) \*, travel distance (pulses), travel speed (r/min), acceleration/deceleration time (ms) \*, and travel distance mode (relative value/absolute value).
- 5 Click the "Servo-ON" button to activate the servo-ON of the actuator.  
The button text changes to "Servo OFF".
- 6 Click a desired number (1 to 5) and then click the "Execute" button to start JOG operation. The actuator will stop after moving the specified travel distance.

\*1: Set the acceleration/deceleration time for the time the actuator reaches its maximum speed from standstill.

## 10-7 Output signal operation

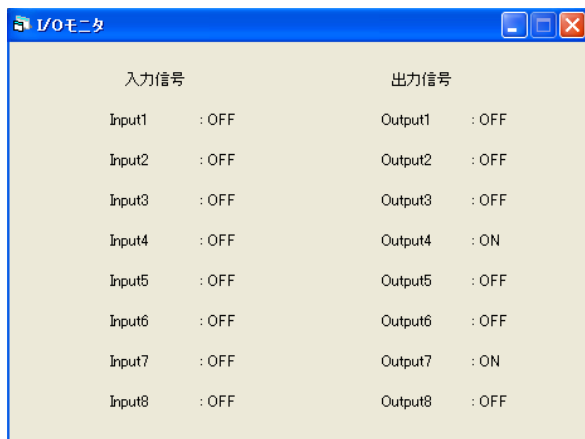
The signals corresponding to outputs 1 to 7 can be turned ON/OFF as desired.



- 1** Click the "Execute" button.
- 2** Select the signal you want to output.  
The selected signal turns ON.  
This can be used to check/verify with your host devices.
- 3** If you click "Execute" button again, the output signal operation is ended and the operated output signal return to the original status.

## 10-8 IO monitor

The statuses of pins to which input signals and output signals are assigned can be monitored.



入力信号		出力信号	
Input1	: OFF	Output1	: OFF
Input2	: OFF	Output2	: OFF
Input3	: OFF	Output3	: OFF
Input4	: OFF	Output4	: ON
Input5	: OFF	Output5	: OFF
Input6	: OFF	Output6	: OFF
Input7	: OFF	Output7	: ON
Input8	: OFF	Output8	: OFF

The statuses of input and output signal pins are displayed.  
The following statuses are available:

### Input signals

- ON: Input received
- OFF: No input

### Output signals

- ON: Outputting
- OFF: Output OFF

# 10-9 Waveform monitoring

In addition to speed and torque, waveforms of various status signals can be displayed.

Waveform display area

Trigger condition setting

Tracing time setting

Start tracing

Waveform display mode

Waveform measurement

Time axis setting

Waveform display selection

## How to obtain waveform

### 1 Select the desired waveform using the waveform display selection.

Different speeds and torques can be selected for Ch1 and Ch2. After selecting the torque and speed, also set the 1 division display.

### 2 Set the trigger condition.

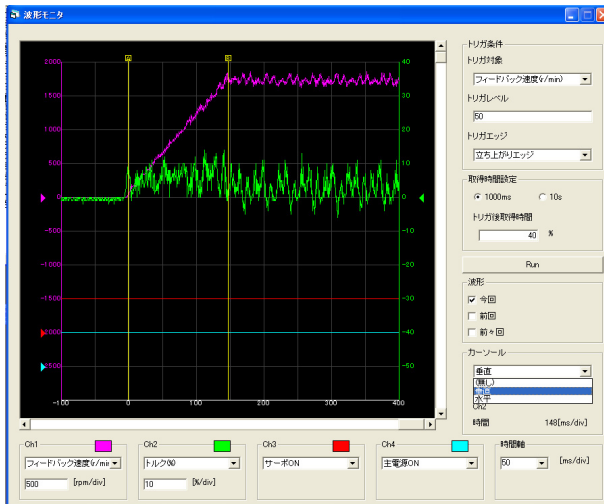
### 3 Set the tracing time.

If "1000ms" is selected, you can set a desired value between 5 and 100 ms/div as the time axis range to be displayed. If "10s" is selected, a desired value between 100 and 1,000 ms/div can be selected. Select the time axis setting from the pull-down menu.

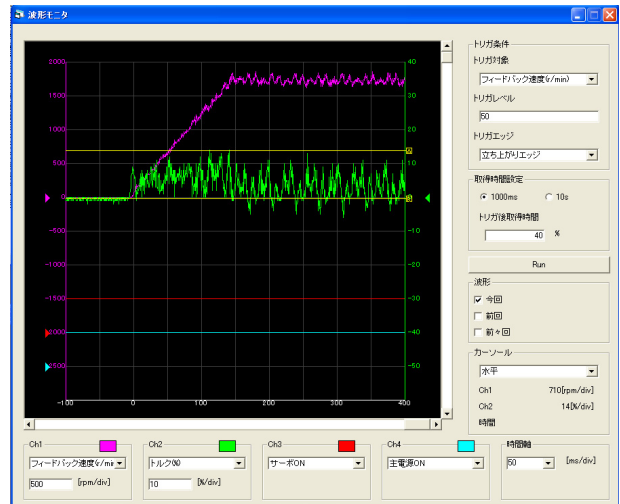
#### 4 Click the "Run" button.

If the "Run" button shows "Stop", the trigger is waited. The system waits for a trigger and when the set trigger level is reached, it acquires waveform and displays it in the waveform display area.

- You can select an appropriate waveform display mode to display the current waveform together with the last waveform or waveform acquired before the last.
- In the waveform measurement area, you can perform time axis measurement and speed/torque measurement. It takes some time to acquire waveforms.



Time axis measurement  
(measurement of rise time)



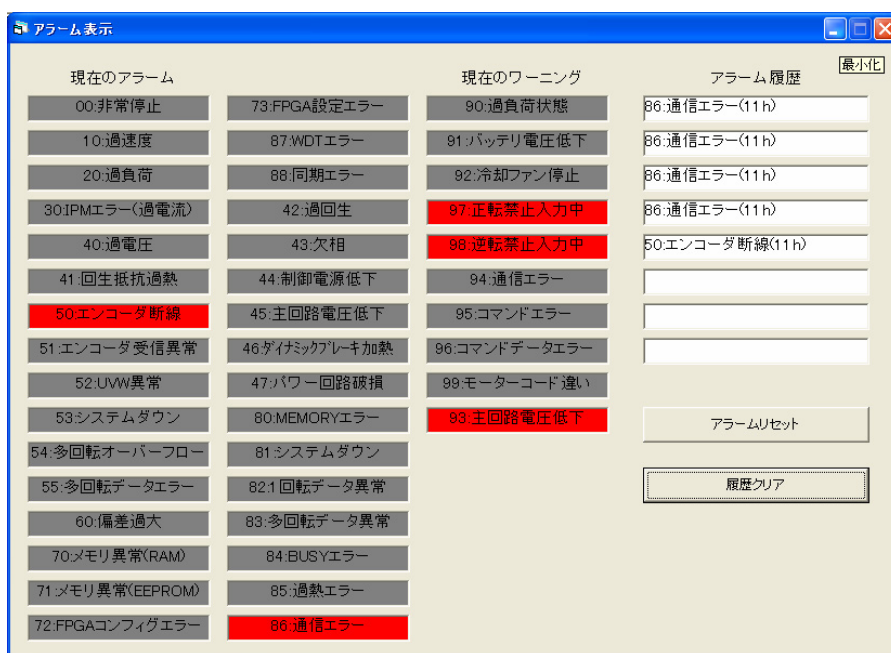
Speed/torque  
measurement

#### 5 You can select "Save As" from the "File" menu to save the waveform data.



# 10-10 Alarms

If the HA-800A driver is generating an alarm or warning, you can check the content of the alarm/warning. A present alarm or warning is shown in the red border, as illustrated below. You can also display and check the history of up to 8 most recent alarms.



## Alarm reset

A resettable alarm whose status has been removed can be reset using the "Alarm Reset" button.

## Clear history

You can clear the history of up to 8 most recent alarms using the "Clear History" button.



# Chapter 11

## Troubleshooting

---

Details of how driver alarms and warnings generate are explained in this chapter.

---

11-1	Alarms and remedial actions .....	11-1
11-2	Warnings and remedial actions .....	11-14

## 11-1 Alarms and remedial actions

The driver has built-in functions to display alarms and warnings that generate during actuator operation and protect against abnormal events.

**Alarm:** If the actuator or driver enters an abnormal state, the driver generates an alarm and outputs an alarm signal, while turning OFF the servo loop at the same time.

**Warning:** A warning is displayed before the actuator or driver generates an alarm. The servo loop remains ON. Remove the cause of the warning as soon as possible.

If the actuator or driver's protective function is actuated, the actuator stops moving (servo-OFF of the motor) and the applicable 2-digit alarm code appears on the display. At the same time, the 3-bit code is output to the host device.

In addition, up to 8 most recent alarms and total operating hours (unit: h) of the driver when each alarm occurred are also displayed.

For the alarm history, refer to [Alarm mode] (P7-8).

### Alarm list

The following alarms are displayed.

Alarm code	Alarm name	3-bit code	Alarm code <sup>*1</sup>			Alarm clear
			ALM-CO D3	ALM-CO D2	ALM-CO D1	
AL 01	Emergency stop	100	1	0	0	Possible <sup>*5</sup>
AL 10	Overspeed	110	1	1	0	Impossible
AL 20	Overload	100	1	0	0	Possible <sup>*5</sup>
AL 30	IPM error (overcurrent)	110	1	1	0	Impossible
AL 40	Overvoltage	110	1	1	0	Impossible
AL 41	Regenerative resistor overheat	110	1	1	0	Impossible
AL42	Overregeneration <sup>*6</sup>	110	1	1	0	Impossible
AL43	Missing phase <sup>*6</sup>	110	1	1	0	Impossible
AL44	Control power voltage low <sup>*6,7</sup>	110	1	1	0	Impossible
AL45	Main circuit voltage low <sup>*6</sup>	110	1	1	0	Impossible
AL46	Overheated dynamic brake <sup>*6</sup>	110	1	1	0	Impossible
AL47	Damaged power circuit <sup>*6</sup>	110	1	1	0	Impossible
AL 50	Encoder disconnection	111	1	1	1	Impossible
AL 51	Encoder receiving error <sup>*1,*2</sup>	111	1	1	1	Impossible
AL 52	UVW error <sup>*2</sup>	111	1	1	1	Impossible
AL 53	System failure <sup>*3</sup>	111	1	1	1	Impossible
AL 54	Multi revolution overflow <sup>*3</sup>	111	1	1	1	Impossible
AL 55	Multi revolution data error <sup>*3</sup>	111	1	1	1	Impossible
AL 60	Excessive deviation	100	1	0	0	Possible <sup>*5</sup>
AL 70	Memory failure (RAM)	101	1	0	1	Impossible
AL 71	Memory failure (EEPROM)	101	1	0	1	Impossible
AL 72	FPGA configuration error	111	1	1	1	Impossible
AL 73	FPGA setting error	111	1	1	1	Impossible
AL 76	Processor error	---	---	---	---	Impossible
AL 80	MEMORY error <sup>*4</sup>	111	1	1	1	Impossible
AL 81	System failure <sup>*4</sup>	111	1	1	1	Impossible
AL 82	Single rotation data error <sup>*4</sup>	111	1	1	1	Impossible
AL 83	Multi revolution data error <sup>*4</sup>	111	1	1	1	Impossible
AL 84	BUSY error <sup>*4</sup>	111	1	1	1	Impossible
AL 85	Overheat error <sup>*4</sup>	111	1	1	1	Impossible
AL 86	Communication error <sup>*4</sup>	111	1	1	1	Impossible

\*1: If an alarm code output is assigned to an output signal (one of pins 16 to 22 of CN2) and the signal function is set to 01 (values set in the second and third digits), read 1 as 0, and 0 as 1.

For the assignment of output signals and setting of their functions, refer to [Chapter 5 I/O signals].

\*2: These alarms may generate when an incremental encoder is combined.

\*3: These alarms may generate when a 13-bit absolute encoder is combined.

\*4: These alarms may generate when a 17-bit absolute encoder is combined.

\*5: Once alarms are reset using the alarm clear input, the servo will not turn ON even if [CN2-2: S-ON input] is ON. After the reset, turn OFF [CN2-2: S-ON] and then turn it ON again.

During position-controlled operation, alarms can be reset using the alarm reset signal, but the deviation will not be cleared. If an alarm generates, clear the deviation using the clear signal and then reset the alarm using the alarm reset signal. (If [SP48: Deviation clear upon servo-ON] is set to 1, deviation is automatically cleared to 0 when the servo turns ON.)

\*6: This alarm may generate in HA-800A-24.

\*7: This alarm is not stored in the alarm history.

## Remedial action for alarm

Remedial actions are explained for respective alarms.

Alarm code	Alarm name	Description	Condition at occurrence	Action
AL01	Emergency stop	An emergency stop signal was input.	The alarm occurs when the control circuit power is turned ON:	<ul style="list-style-type: none"> <li>● The emergency stop input is assigned to CN2:               <ul style="list-style-type: none"> <li>→ Check wiring and connector of emergency stop input signal.</li> <li>→ Check the logic and status of the emergency stop signal.</li> </ul> </li> <li>● The emergency stop input is not assigned to CN2:               <ul style="list-style-type: none"> <li>→ Set the signal logic to normally open.</li> </ul> </li> </ul>
			The alarm occurs during operation:	<ul style="list-style-type: none"> <li>● Cancel the emergency stop signal and reconnect the control power supply or input a reset signal.</li> <li>● Wrong emergency stop signal wiring               <ul style="list-style-type: none"> <li>→ Check wiring and connector of emergency stop input signal.</li> </ul> </li> <li>● Malfunction due to noise               <ul style="list-style-type: none"> <li>→ Check the noise environment.</li> </ul> </li> <li>● Control circuit error               <ul style="list-style-type: none"> <li>→ Contact our sales office.</li> </ul> </li> </ul>
AL10	Overspeed	The motor rotation speed exceeded the maximum rotation speed of the motor.	The alarm occurs when the control circuit power is turned ON:	Control circuit error → Contact our sales office.
			The alarm occurs due to high-speed actuator rotation when a rotation command is input:	<ul style="list-style-type: none"> <li>● Overshoot due to inappropriate gain adjustment               <ul style="list-style-type: none"> <li>→ Adjust [AJ00: Position loop gain], [AJ01: Speed loop gain] and [AJ02: Speed loop integral compensation] in the tune mode to match the load condition.</li> </ul> </li> <li>● Excessive command pulse frequency               <ul style="list-style-type: none"> <li>→ Lower the command output pulse frequency on the host device. Set a frequency not exceeding the maximum rotation speed of the actuator (r/min).</li> </ul> </li> <li>● Inappropriate electronic gear setting               <ul style="list-style-type: none"> <li>→ The command frequency is too large with respect to [SP44, 45, 46, 47: Electronic gear setting]. Set appropriate electronic gear. Alternatively, modify the command frequency.</li> </ul> </li> </ul>

Alarm code	Alarm name	Description	Condition at occurrence	Action
AL10	Overspeed	The motor rotation speed exceeded the maximum rotation speed of the motor.	The alarm occurs due to high-speed actuator rotation when a rotation command is input:	<ul style="list-style-type: none"> <li>● Wrong speed input factor setting → Set the correct speed input factor in [SP51: Speed input factor].</li> <li>● Excessive torque command input voltage → Lower the torque command output voltage on the host device.</li> <li>● Wrong torque input factor setting → Set the correct torque input factor in [SP53: Torque input factor].</li> </ul>
AL20	Overload	The allowable continuous current was exceeded.	The alarm also occurs when only the actuator is operated (no load):	<ul style="list-style-type: none"> <li>● Wrong motor or encoder connection → Connect the motor/encoder correctly by referring to [Chapter 2 Installation/wiring].</li> <li>● Large friction torque → Confirm that holding brake is released.</li> </ul>
			The alarm occurs when the control circuit power is turned ON:	<ul style="list-style-type: none"> <li>● Control circuit error → Contact our sales office.</li> </ul>
			The alarm occurs during operation:	<ul style="list-style-type: none"> <li>● Current 1.2 times the allowable continuous current or more was supplied for an extended period of time.</li> <li>● Current 3 times the allowable continuous current was supplied for approx. 2 seconds. → Review the effective load rate of the actuator, and then reconnect the power supply to resume the operation.</li> <li>● Large friction torque and load torque → Confirm that holding brake is released. → Confirm that the actuator output torque is sufficient to handle load torque.</li> </ul>
			The alarm occurs after the actuator exhibits hunting:	<ul style="list-style-type: none"> <li>● Hunting due to inappropriate gain adjustment → Adjust [AJ00: Position loop gain], [AJ01: Speed loop gain] and [AJ02: Speed loop integral compensation] in the tune mode to match the load condition.</li> </ul>

Alarm code	Alarm name	Description	Condition at occurrence	Action
AL30	IPM error (overcurrent)	The servo current control element detected an overcurrent.	The alarm occurs when the control circuit power is turned ON:	<ul style="list-style-type: none"> <li>● Control circuit error</li> <li>→ Contact our sales office.</li> </ul>
			The alarm occurs when [CN2-2: Servo-ON] is input (ON):	<ul style="list-style-type: none"> <li>● Control circuit error</li> <li>→ Contact our sales office.</li> </ul>
			The alarm occurs when [CN2-2: Servo-ON] is input (ON), but a normal condition is restored once the motor cable (U, V, W) is disconnected:	<ul style="list-style-type: none"> <li>● Short-circuit the motor cable</li> <li>→ Inspect/reconnect or replace/repair the connection points of the motor cable.</li> <li>● Short-circuit the motor coil</li> <li>→ Contact our sales office. (Replace the actuator.)</li> </ul>
			The alarm occurs during acceleration or deceleration:	<ul style="list-style-type: none"> <li>● The load inertia moment (inertia) is excessive or acceleration/deceleration time is too short.</li> <li>→ Lower the load inertia moment.</li> <li>→ Increase the time set in [AJ12: Acceleration time constant] or [AJ13: Deceleration time constant] in the tune mode.</li> <li>● The gain is too high or too low.</li> <li>→ Adjust [AJ00: Position loop gain], [AJ01: Speed loop gain] and [AJ02: Speed loop integral compensation] in the tune mode to match the load condition.</li> <li>● Faulty wiring of regenerative resistor (HA-800A-24)</li> <li>→ Resistance of an external regenerative resistor is low. Or it is short-circuited. It is connected in parallel with a built-in regenerative resistor.</li> </ul>
			The alarm occurs during operation (operation can be resumed after 4 to 5 minutes):	<ul style="list-style-type: none"> <li>● Overload</li> <li>→ Review the effective load rate of the actuator and lower the load rate.</li> <li>● The ambient temperature of the driver is 50°C or above.</li> <li>→ Review the installation location and cooling system of the driver.</li> </ul>
			The alarm occurs when cutting the main circuit power OFF:	<ul style="list-style-type: none"> <li>● Faulty wiring of regenerative resistor (HA-800A-24)</li> <li>→ Resistance of an external regenerative resistor is low. Or it is short-circuited. It is connected in parallel with a built-in regenerative resistor.</li> </ul>

Alarm code	Alarm name	Description	Condition at occurrence	Action
AL40	Overvoltage	The main circuit voltage exceeded approx. 400V.	The alarm occurs during operation:	<ul style="list-style-type: none"> <li>● Excessive load inertia moment</li> <li>→ The built-in regenerative resistor does not function. Connect short bar to R1 and R3 terminals.</li> <li>→ Connect a regenerative resistor to the R1 and R2 terminals.</li> <li>→ Increase the deceleration time.</li> <li>→ Lower the maximum speed.</li> <li>→ Lower the load inertia moment.</li> </ul> <ul style="list-style-type: none"> <li>● Overvoltage detection circuit error</li> <li>→ Contact our sales office.</li> </ul>
AL41	Regenerative resistor overheat	The thermal switch installed on the regenerative resistor actuated.	The alarm occurs during deceleration:	<ul style="list-style-type: none"> <li>● Insufficient regenerative resistor capacity</li> <li>→ Install an external regenerative resistor to raise the regenerative absorption capacity.</li> <li>→ When using an external regenerative resistor in HA-800A-24, set [SP64: Regenerative resistor selection] to [1: Use external regenerative resistor].</li> </ul> <ul style="list-style-type: none"> <li>● Regenerative energy processing circuit error</li> <li>→ Contact our sales office.</li> </ul>
			The alarm occurs after turning the main circuit power ON (HA-800A-24):	<ul style="list-style-type: none"> <li>● The regenerative resistor is not properly wired or not connected.</li> <li>→ Connect the regenerative resistor correctly.</li> </ul>
			When an external regenerative resistor is used (HA-800A-24):	<ul style="list-style-type: none"> <li>● The regenerative resistor is not properly wired or not connected.</li> <li>→ Connect the regenerative resistor correctly.</li> <li>● The parameter setting of regenerative resistor selection (SP64) is wrong.</li> <li>→ Change the setting of system parameter SP64 and select an external regenerative resistor.</li> </ul>
AL42	Overregeneration (HA-800A-24)	A regenerative resistor absorbed significantly excessive regenerative energy.	The alarm occurs during deceleration:	<ul style="list-style-type: none"> <li>● Insufficient regenerative resistor capacity</li> <li>→ Install an external regenerative resistor to raise the regenerative absorption capacity and change the setting of system parameter SP64.</li> <li>● Regenerative energy processing circuit error</li> <li>→ Contact our sales office. (Replace the HA-800A driver.)</li> <li>● Load inertia exceeds the adaptive range.</li> <li>→ Review the configuration and use the resistor with load inertia within the adaptive range.</li> <li>→ Suppress the rotation low to reduce regenerative energy.</li> </ul>
			The alarm occurs after turning the main circuit power ON:	<ul style="list-style-type: none"> <li>● The regenerative resistor is not properly wired or not connected.</li> <li>→ Connect the regenerative resistor correctly.</li> <li>→ Connect a short bar correctly when using a built-in regenerative resistor.</li> </ul>



Alarm code	Alarm name	Description	Condition at occurrence	Action
AL42	Overregeneration (HA-800A-24)	A regenerative resistor absorbed significantly excessive regenerative energy.	When an external regenerative resistor is used:	<ul style="list-style-type: none"> <li>● The regenerative resistor is not properly wired or not connected. → Connect the regenerative resistor correctly.</li> <li>● The parameter setting of regenerative resistor selection (SP64) is wrong. → Change the setting of system parameter SP64 and select an external regenerative resistor.</li> </ul>
AL43	Missing phase (HA-800A-24)	Single-phase power supply was supplied to the main circuit power input (R, S, T) areas.	The alarm occurs after turning the main circuit power ON:	<ul style="list-style-type: none"> <li>● Wrong wiring → One phase of 3-phase power supply is not correctly connected.</li> <li>● Low input voltage → Correct input voltage to a value within the specification range.</li> <li>● Disconnection of 1 main circuit fuse built into the driver → One of the 2 built-in fuses for 3-phase power supply is disconnected. Ground-fault or faulty wiring of motor output, ground-fault or faulty wiring of regenerative connection terminal → Check the wiring conditions and replace the driver. (The alarm may occur again if you replace the driver without removing the cause.) If the protective fuse gets disconnected, it must be repaired.</li> </ul>
AL44	Control power voltage low (HA-800A-24)	The voltage of the control power supply input (r, s) areas dropped.	The alarm occurs during operation:	<ul style="list-style-type: none"> <li>● Low input voltage → Correct input voltage to a value within the specification range.</li> <li>● Momentary power failure occurred. → Review the wiring and power supply environment to prevent power failure.</li> </ul>
AL45	Main circuit voltage low (HA-800A-24)	Although the main circuit power (R, S, T) is supplied, the main circuit DC voltage dropped.	The alarm occurs when the main circuit power is turned ON:	<ul style="list-style-type: none"> <li>● It occurs in case of faulty wiring (not wired) of short bar, faulty wiring of DC reactor, and/or open-circuit between DL1 and DL2. → Connect a short bar or DC reactor correctly between driver terminal blocks DL1 and DL2.</li> <li>● The alarm occurs when a protective fuse built into the driver (2 built-in fuses for 3-phase power supply) is disconnected due to driver damage, faulty wiring, etc. → Check the wiring conditions and replace the driver. (The alarm occurs again if you replace the driver without removing the cause.) If the protective fuse gets disconnected, it must be repaired.</li> </ul>

Alarm code	Alarm name	Description	Condition at occurrence	Action
AL46	Overheated dynamic brake (HA-800A-24)	The dynamic brake circuit generated abnormal heat:	The alarm occurs after stopping the dynamic brake:	<ul style="list-style-type: none"> <li>● The dynamic brake stopped under the conditions where load inertia is excessive or an excessive negative load is connected.</li> </ul> → Review the load.
			The alarm occurs when the control power supply is turned ON:	<ul style="list-style-type: none"> <li>● Driver damage. The driver was damaged when the dynamic brake stopped previously.</li> </ul> → Review the load. If the protective fuse gets disconnected, it must be repaired.
A47	Damaged power circuit	The alarm occurs due to errors in the driver power circuit. It cannot be reset.	<ul style="list-style-type: none"> <li>● The alarm occurs when the control power supply is turned ON:</li> <li>● The alarm occurs when the servo is ON:</li> </ul>	<ul style="list-style-type: none"> <li>● HA-800A driver power circuit error</li> </ul> → Contact our sales office. (Replace the HA-800A driver.)
AL50	Encoder disconnection	Encoder signals have been cut off.	The alarm occurs when the control circuit power is turned ON:	<ul style="list-style-type: none"> <li>● Non-connection or poor connection of the encoder connector (CN1) or broken encoder wire</li> </ul> → Securely connect the encoder connector again. Or, replace the cable. <ul style="list-style-type: none"> <li>● Control circuit diagram error</li> <li>● Internal encoder damage</li> </ul> → Contact our sales office.
			The alarm occurs during operation (a normal condition is restored when the actuator cools down):	<ul style="list-style-type: none"> <li>● Encoder malfunction due to rise in actuator temperature</li> </ul> → Review the installation location and cooling system of the actuator.
AL51	Encoder receiving error <sup>*1</sup>	Encoder serial data cannot be received accurately.	The alarm occurs when the control circuit power is turned ON:	<ul style="list-style-type: none"> <li>● Non-connection or poor connection of the encoder connector (CN1) or broken encoder wire</li> </ul> → Securely connect the encoder connector again. Or, replace the cable. <ul style="list-style-type: none"> <li>● Control circuit diagram error</li> <li>● Internal encoder damage</li> </ul> → Contact our sales office.
			The alarm sometimes occurs during operation:	<ul style="list-style-type: none"> <li>● Malfunction due to external noise</li> </ul> → Suppress noise according to [Suppressing noise] (P2-14).

Alarm code	Alarm name	Description	Condition at occurrence	Action
AL52	UVW error	Encoder phase UVW signal error	The alarm occurs when the control circuit power is turned ON:	<ul style="list-style-type: none"> <li>● Non-connection or poor connection of the encoder connector (CN1) or broken encoder wire</li> <li>→ Securely connect the encoder connector again.</li> <li>Or, replace the cable.</li> <li>● Control circuit diagram error</li> <li>● Internal encoder damage</li> <li>→ Contact our sales office.</li> </ul>
			The alarm sometimes occurs during operation:	<ul style="list-style-type: none"> <li>● Malfunction due to external noise</li> <li>→ Suppress noise according to [Suppressing noise] (P2-14).</li> </ul>
AL53	System failure <sup>*1</sup>	Encoder multi revolution data has been lost.	The alarm occurs when the power supply is turned ON for the first time after the purchase:	<ul style="list-style-type: none"> <li>● The encoder holds no multi revolution data.</li> <li>→ Clear the multi revolution data using [T08: Multi revolution clear] in the test mode.</li> </ul>
			The control power supply is cut off while the battery voltage low warning is occurring:	<ul style="list-style-type: none"> <li>● Replace the battery.</li> <li>→ Clear the multi revolution data using [T08: Multi revolution clear] in the test mode.</li> <li>Reconnect the power and perform originating.</li> </ul>
AL53	System failure <sup>*1</sup>	Encoder multi revolution data has been lost.	The power supply was turned ON after the encoder and driver had been left disconnected for an extended period of time:	<ul style="list-style-type: none"> <li>● Non-connection or poor connection of the encoder connector (CN1)</li> <li>● Non-connection or poor connection of the battery connector</li> <li>→ Connect the encoder connector and battery connector properly.</li> <li>● Driver control circuit error</li> <li>● Internal encoder damage</li> <li>→ Contact our sales office.</li> </ul>
AL54	Multi revolution overflow <sup>*1</sup>	The multi revolution counter value of the absolute encoder exceeded a range of +4,095 to -4,096 revolutions (motor shaft).	The alarm occurs when the control circuit power is turned ON:	<ul style="list-style-type: none"> <li>● Driver control circuit error</li> <li>● Internal encoder damage</li> <li>→ Contact our sales office.</li> </ul>
			The alarm occurs during operation:	<ul style="list-style-type: none"> <li>● The actuator turned in one direction and the multi revolution counter value exceeded a range of +4,095 to -4,096 revolutions (motor shaft).</li> <li>→ Clear the multi revolution data using [T08: Multi revolution clear] in the test mode.</li> </ul>

Alarm code	Alarm name	Description	Condition at occurrence	Action
AL55	Multi revolution data error*1	The rotation angular acceleration and rotation speed of the motor exceeded the allowable response range. (The actuator moved at a speed exceeding the encoder's allowable range while the driver power supply is turned OFF.)	The alarm occurs when the control circuit power is turned ON:	<ul style="list-style-type: none"> <li>● The actuator's output shaft moved when the driver power was not supplied. → Clear the multi revolution data using [T08: Multi revolution clear] in the test mode.</li> <li>● Driver control circuit error</li> <li>● Internal encoder damage → Contact our sales office.</li> </ul>
AL60	Excessive deviation	The deviation counter value exceeded the pulse count set in [SP49: Allowable position deviation].	The alarm occurs while the control power supply is being turned ON:	<ul style="list-style-type: none"> <li>● The actuator moved due to external force and resulted in excessive deviation. → Stop the actuator and reconnect the power supply.</li> <li>→ Stop the actuator and clear the deviation, and then reconnect the power supply.</li> <li>● Driver control circuit error → Contact our sales office.</li> </ul>
			The alarm occurs during acceleration or deceleration:	<ul style="list-style-type: none"> <li>● Low gain → Adjust [AJ00: Position loop gain], [AJ01: Speed loop gain] and [AJ02: Speed loop integral compensation] in the tune mode to match the load condition.</li> <li>● Wrong command pulse input factor setting → Correctly set [SP44: Electronic gear 1 numerator] and [SP45: Electronic gear 1 denominator] or [SP46: Electronic gear 2 numerator] and [SP47: Electronic gear 2 denominator] again.</li> </ul>

Alarm code	Alarm name	Description	Condition at occurrence	Action
AL60	Excessive deviation	The deviation counter value exceeded the pulse count set in [SP49: Allowable position deviation].	The alarm occurs during acceleration or deceleration:	<ul style="list-style-type: none"> <li>● Excessive command pulse frequency → Lower the command output pulse frequency on the host device. The frequency should not exceed the actuator's rated rotation speed (r/min) multiplied by 60.</li> <li>● Excessive load inertia moment → Lower the load inertia moment. → Slowly increase/decrease the command pulse frequency on the host device.</li> </ul>
			The speed does not rise with the command, and the alarm occurs sometime after that:	<p>Cause: The input signal FWD inhibit or REV inhibit is enabled.</p> <ul style="list-style-type: none"> <li>● The signal logic is set to normally closed for [SP03: FWD inhibit input setting] and [SP04: REV inhibit input setting], but the signals are not assigned to CN2. → Assign the signals to CN2 and wire them according to the normally closed logic.</li> <li>● The respective signals are assigned to CN2 and their logic is set to normally closed for [SP03: FWD inhibit input setting] and [SP04: REV inhibit input setting], but the assigned pins are open. → Wire the signals according to the normally closed logic.</li> <li>● The respective signals are assigned to CN2 and their logic is set to normally open for [SP03: FWD inhibit input setting] and [SP04: REV inhibit input setting], but the assigned pins are closed. → Wire the signals according to the normally open logic.</li> <li>● Large friction torque and load torque → Confirm that holding brake is released. → Confirm that the actuator output torque is sufficient to handle load torque.</li> </ul>
			The actuator does not rotate and the alarm occurs:	<ul style="list-style-type: none"> <li>● Poor motor cable connection or wrong phase order → Connect the motor cable wires and terminals securely. → Connect the motor wires and terminals in the correct phase order.</li> <li>● Poor connection of the encoder connector (CN1) → Securely connect the encoder connector again.</li> <li>● Large friction torque and load torque → Confirm that holding brake is released. → Confirm that the actuator output torque is sufficient to handle load torque.</li> </ul>

Alarm code	Alarm name	Description	Condition at occurrence	Action
AL70	Memory failure (RAM)	An error occurred in the driver's RAM memory.	<ul style="list-style-type: none"> <li>The alarm occurs when the control circuit power is turned ON:</li> <li>The alarm occurs during operation:</li> </ul>	<ul style="list-style-type: none"> <li>Driver control circuit error → Contact our sales office.</li> </ul>
AL71	Memory failure (EEPROM)	An error occurred in the driver's EEPROM memory.	<ul style="list-style-type: none"> <li>The alarm occurs when the control circuit power is turned ON:</li> <li>The alarm occurs during operation:</li> </ul>	<ul style="list-style-type: none"> <li>Driver control circuit error → Contact our sales office.</li> </ul>
AL72	FPGA Configuration error	The FPGA initialization was not successful when the driver was started.	The alarm occurs when the control circuit power is turned ON:	<ul style="list-style-type: none"> <li>Driver control circuit error → Contact our sales office.</li> </ul>
AL73	FPGA setting error	The FPGA did not start properly when the driver was started.	The alarm occurs when the control circuit power is turned ON:	<ul style="list-style-type: none"> <li>Driver control circuit error → Contact our sales office.</li> </ul>
AL80	MEMORY error <sup>2</sup>	An EEPROM memory failure occurred in the 17-bit absolute encoder.	The alarm occurs when the control circuit power is turned ON:	<ul style="list-style-type: none"> <li>Driver control circuit error or encoder error → Contact our sales office.</li> </ul>
AL81	System failure <sup>2</sup>	SHA series: The voltage of the backup power supply in the absolute encoder or external battery voltage, whichever was higher, dropped to 2.85V or below. FHA-Cmini series: The voltage of the backup battery dropped to 2.85V or below. Stored multi revolution data is lost.	—	<p>This alarm can be reset by executing [T08: Multi revolution data clear] in the test mode, or by assigning the reset input to CN2 using [SP01: Reset input setting] and then activating the reset signal and reconnecting the power.</p> <ul style="list-style-type: none"> <li>Low backup battery voltage → Replace the battery by referring to [Normal operation] (P3-20).</li> <li>17-bit absolute encoder error → Contact our sales office. (Replace the actuator.)</li> <li>This alarm may occur if CN1 is pulled off while the driver control power supply is active.</li> </ul>

Alarm code	Alarm name	Description	Condition at occurrence	Action
AL82	Single revolution data error <sup>*2</sup>	Inconsistency occurred between the single revolution data managed by the 17-bit absolute encoder at 2 locations.	The alarm occurs after actuator operation:	<p>This alarm can be reset by executing [T08: Multi revolution data clear] in the test mode, or by assigning the reset input to CN2 using [SP01: Reset input setting] and then activating the reset signal and reconnecting the power.</p> <ul style="list-style-type: none"> <li>● 17-bit absolute encoder error → Contact our sales office. (Replace the actuator.)</li> </ul>
AL83	Multi revolution data error <sup>*2</sup>	Inconsistency occurred between the multi revolution data managed by the 17-bit absolute encoder at 2 locations.	The alarm occurs during operation:	<ul style="list-style-type: none"> <li>● Malfunction due to external noise → Suppress noise according to [Suppressing noise] (P2-14).</li> </ul>
AL84	BUSY error <sup>*2</sup>	The position could not be specified when the 17-bit absolute encoder was started because the actuator was operating at a constant speed or above.	—	<ul style="list-style-type: none"> <li>● The actuator is operating at a constant speed or above when the encoder is started. → Start the encoder when the actuator is operating at a constant speed or below (ideally the actuator should be stopped). SHA series: 300 rpm or less FHA-Cmini series: 250 rpm or less</li> <li>● 17-bit absolute encoder error → Contact our sales office. (Replace the actuator.)</li> </ul>
AL85	Overheat error <sup>*2</sup>	The board temperature in the 17-bit absolute encoder reached or exceeded 95°C.	—	<ul style="list-style-type: none"> <li>● The board temperature in the 17-bit absolute encoder reached or exceeded 95°C. → Remove possible causes of actuator overheat, such as eliminating sudden starts and improving the heat radiation condition.</li> <li>● 17-bit absolute encoder error → Contact our sales office. (Replace the actuator.)</li> </ul>
		The driver's heat sink temperature reached or exceeded 106°C.	—	<ul style="list-style-type: none"> <li>● The driver's heat sink temperature reached or exceeded 106°C. → Remove possible causes of actuator overheat, such as eliminating sudden starts and improving the heat radiation condition.</li> </ul>

Alarm code	Alarm name	Description	Condition at occurrence	Action
AL86	Communication error <sup>*2</sup>	Data could not be received in the driver at least 4 consecutive times.	—	<ul style="list-style-type: none"> <li>● Defective encoder connector (CN1) <ul style="list-style-type: none"> <li>→ Confirm that the encoder connector is inserted securely.</li> <li>→ Confirm that the encoder lead lines are soldered properly.</li> <li>→ Check the encoder extension connector for poor contact.</li> </ul> </li> <li>● Malfunction due to noise, etc. <ul style="list-style-type: none"> <li>→ Confirm that the ground wire is connected properly.</li> <li>→ Confirm that the encoder cable is shielded properly.</li> <li>→ Confirm that the encoder and motor wires are not bundled together.</li> </ul> </li> </ul>
Not lit		LED display is not turned ON even when the control power supply is turned ON.	The alarm occurs when the control circuit power is turned on:	<ul style="list-style-type: none"> <li>● The overload protective function in the driver internal power supply circuit was activated due to a short period of power failure, etc. <ul style="list-style-type: none"> <li>→ Cut off the control power supply, wait for about one minute, and reconnect the power.</li> </ul> </li> <li>● Fuse disconnection in the driver <ul style="list-style-type: none"> <li>→ Contact our sales office.</li> </ul> </li> </ul>

\*1: This alarm does not occur when an actuator equipped with a 17-bit absolute encoder is combined.

\*2: AL80 to AL86: These alarms may occur when an actuator equipped with a 17-bit absolute encoder is combined.



## 11-2 Warnings and remedial actions

This driver has warning functions to output various conditions before the corresponding protective functions are actuated. If a warning generates, the warning number appears on the display.

If a warning output is assigned to an output signal via a system parameter, the signal is output to the I/O signal connector (CN2).

Although the actuator can be controlled while warnings are present, remove the cause of each warning as soon as possible. (If [UA93: Main circuit voltage low] or [UA99: Wrong actuator] occurs, the actuator cannot be controlled.)

### Warning list

A list of alarms that may be displayed is shown below.

Warning code	Warning name	3-bit code	Alarm code		
			ALM-COD3	ALM-COD2	ALM-COD1
90	Overload status	001	0	0	1
91	Battery voltage low	001	0	0	1
92	Cooling fan stopped	001	0	0	1
93	Main circuit voltage low	001	0	0	1
97	FWD inhibit input effective	001	0	0	1
98	REV inhibit input effective	001	0	0	1
99	Wrong actuator	001	0	0	1

## Remedial action for warning

Details of each warning are explained.

Warning code	Warning name	Description
UA 90	Overload status	The driver is overloaded. If the warning is ignored and actuator operation is continued, an overload error (AL20) will occur. Take an appropriate action by referring to the section of overload alarm.
UA 91	Battery voltage low	The data backup battery voltage of the absolute encoder dropped to the voltage specified below. Although the actuator operates, leaving the problem uncertified will cause the battery voltage to drop further, resulting in encoder data to be unable to be retained. Replace the battery with a new one as soon as possible. For the SHA series, if the backup capacitor in the encoder is fully charged when power is being supplied to the driver, the backup battery does not detect a drop in voltage. The backup capacitor in the encoder is discharged when the driver's power is turned OFF, and the backup battery does not detect a drop in voltage until the voltage is low. <ul style="list-style-type: none"> <li>● 13-bit absolute encoder DC2.8V or below (The warning will be reset automatically when the battery is replaced with a new one.)</li> <li>● 17-bit absolute encoder (FHA-Cmini series) DC3.1V or less (The warning will be reset automatically when the battery is replaced with a new one.)</li> <li>● 17-bit absolute encoder DC3.1V or less (Replace with a new battery and execute an alarm reset, and then reconnect the power supply.) (1) Replace with a new battery. (2) Input driver alarm reset. (3) The warning is canceled after reconnecting the power supply.</li> </ul>
UA 92	Cooling fan stopped (HA-800A-6 only)	The cooling fan installed in the driver stopped operating for some reason.  If the actuator is operated at the rated torque, internal elements of the driver may heat to the junction temperature. Remove the cause of the problem as soon as possible. It is also recommended that the cooling fan be replaced after approx. 5 years of continuous operation.
UA 93	Main circuit voltage low	The DC voltage of the main circuit power dropped to the voltage specified below: <ul style="list-style-type: none"> <li>● AC200V actuator DC220V or less</li> <li>● AC100V actuator DC100V or less</li> </ul> <p>If this warning generates, the servo turns OFF. Although the warning will be reset automatically when the main circuit voltage recovers, the [Cn2-2: S-ON] signal must be turned OFF and then turned ON again to turn ON the servo.</p>
UA 97	FWD inhibit input effective	This warning generates when the FWD inhibit input that has been assigned to CN2 is enabled.  Once the input is disabled, the warning will be reset. Even when the FWD inhibit input is not assigned, this warning still generates when the main circuit power is turned ON if the logic is set to normally closed. If this input is not assigned, set the logic to normally open.

Warning code	Warning name	Description
UA 98	REV inhibit input effective	<p>This warning generates when the REV inhibit input that has been assigned to CN2 is enabled.</p> <p>Once the input is disabled, the warning will be reset. Even when the REV inhibit input is not assigned, this warning still generates when the main circuit power is turned ON if the logic is set to normally closed. If this input is not assigned, set the logic to normally open.</p>
UA 99	Wrong actuator	<p>The connected actuator is different from the applicable actuator set for the driver.</p> <p>Connect the correct actuator and then reconnect the power. The function is available for the following actuators: 17-bit absolute encoder (SHA series and FHA-Cmini series) and 4-wire incremental encoder (FHA-Cmini series/FHA-C series).</p>



# Chapter 12

## Option

---

Options you can purchase as necessary are explained.

---

12-1 Option ..... 12-1

# 12-1 Option

Options you can purchase as necessary are explained.

## Extension cables

HA-800A drivers are available in various models having different rated output current and supporting different types of encoders. Combinations of drivers, actuators and extension cables (option) are shown below.

Actuator series	Model No.	Input voltage (V)	Encoder type	Combined driver			Extension cables (option)
				HA-800A-1	HA-800A-3	HA-800A-6	
SHA series	25	200	17-bit Absolute	-	HA-800A-3D-200	-	Motor wire EWD-MB**-A06-TN3 Encoder wire EWD-S**-A08-3M14
	32	200		-	-	HA-800A-6D-200	
	40	200		-	-	HA-800A-6D-200	
	25	100	17-bit Absolute	-	-	HA-800A-6D-100	
FHA-Cmini series	8	200	4 wires, wire-saving type Incremental	HA-800A-1C-200	-	-	Motor wire EWC-M**-A06-TN3 Encoder wire EWC-E**-M06-3M14
	11	200		HA-800A-1C-200	-	-	
	14	200		HA-800A-1C-200	-	-	
	8	100	4 wires, wire-saving type Incremental	HA-800A-1C-100	-	-	
	11	100		HA-800A-1C-100	-	-	
	14	100		HA-800A-1C-100	-	-	
	8	200	17-bit Absolute	HA-800A-1D-200	-	-	Motor wire EWC-M**-A06-TN3 Encoder wire EWD-S**-A08-3M14
	11	200		HA-800A-1D-200	-	-	
	14	200		HA-800A-1D-200	-	-	
	8	100	17-bit Absolute	HA-800A-1D-100	-	-	
	11	100		HA-800A-1D-100	-	-	
	14	100		HA-800A-1D-100	-	-	
FHA-C series	17	200	4 wires, wire-saving type Incremental	-	HA-800A-3C-200	-	Motor wire EWC-MB**-M08-TN3 Encoder wire EWC-E**-B04-3M14
	25	200		-	HA-800A-3C-200	-	
	32	200		-	-	HA-800A-6C-200	
	40	200		-	-	HA-800A-6C-200	
	17	200	13-bit Absolute	-	HA-800A-3A-200	-	Motor wire EWC-MB**-M08-TN3 Encoder wire EWC-S**-B08-3M14
	25	200		-	HA-800A-3A-200	-	
	32	200		-	-	HA-800A-6A-200	
	40	200		-	-	HA-800A-6A-200	
	17	100	4 wires, wire-saving type Incremental	-	HA-800A-3C-100	-	Motor wire EWC-MB**-M08-TN3 Encoder wire EWC-E**-B04-3M14
	25	100		-	-	HA-800A-6C-100	
	32	100		-	-	HA-800A-6C-100	
	17	100	13-bit Absolute	-	HA-800A-3A-100	-	Motor wire EWC-MB**-M08-TN3 Encoder wire EWC-S**-B08-3M14
	25	100		-	-	HA-800A-6A-100	
	32	100		-	-	HA-800A-6A-100	
	RSF series	17	200	14 wires Incremental	-	HA-800A-3B-200	-
RSF/RKF series	20	200	-		HA-800A-3B-200	-	
	25	200	-		HA-800A-3B-200	-	
	32	200	-		-	HA-800A-6B-200	

Actuator series	Model No.	Encoder type	Combined driver	Extension cables (option)
			HA-800A-24	
SHA series	40	17-bit Absolute	HA-800A-24D	Motor wire EWD-MB**-A06-TMC Encoder wire EWD-S**-A08-3M14
	58		HA-800A-24D	Motor wire EWD-MB**-D09-TMC Encoder wire EWD-S**-D10-3M14
	65		HA-800A-24D	Motor wire EWD-MB**-D09-TMC Encoder wire EWD-S**-D10-3M14

\*\* in the extension cable model indicates the cable length.

Select a desired length from the following 3 types:

03: 3m, 05: 5m, 10: 10m

## Dedicated communication cable

Use a dedicated communication cable to connect this driver to a personal computer.

Dedicated communication cable

<b>Model</b>	EWA-RS03
<b>Specifications</b>	D-sub 9 pin (female) 1.6m

## Connectors

The CN1, CN2, motor-wire and power-supply connectors of this driver are shown below.

### Connector model

CNK-HA80A-S1 : CN1 type/CN2 type/motor-wire type/power-supply type --- 4 types

CNK-HA80A-S2 : CN2 type/power-supply type --- 2 types

CNK-HA80A-S1-A: CN1/CN2 type --- 2 types

CNK-HA80A-S2-A: CN2 type --- 1 type

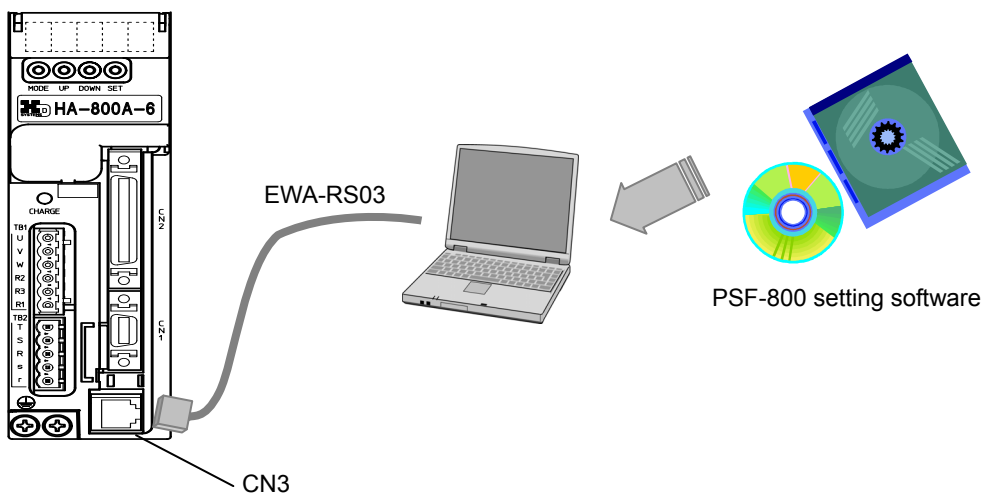
	CN1 type	CN2 type	Motor-wire type	Power-supply type
<b>Manufacturer</b>	Sumitomo 3M	Sumitomo 3M	Phoenix Contact	Phoenix Contact
<b>Model</b>	Connector: 10114-3000PE Cover: 10314-52F0-008	Connector: 10150-3000PE Cover: 10350-52F0-008	FKIC2,5/5-ST-5.08	FKC2,5/5-ST-5.08

## Servo parameter setting software

This software lets you set various servo parameters of your HA-800A driver from a personal computer. Use an EIA-232C cable to connect the CN3 connector on the HA-800A driver to a personal computer in which the servo parameter setting software PSF-800 is installed, and you can change various servo parameters in the driver.

You can download this servo parameter setting software from our website (<http://www.hds.co.jp/>).

<b>Model</b>	PSF-800
<b>Supported operating systems</b>	Windows Me/NT/2000/XP (Caution: Windows is a registered trademark of Microsoft Corporation.)
<b>What you need</b>	Dedicated communication cable (EWA-RS03)



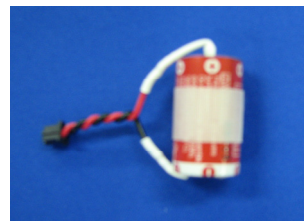


## Backup battery

This battery is used to retain multi revolution data of the absolute encoder in the event that the power supply is cut off. All drivers of absolute encoder model are shipped with this battery pre-assembled.

Model code: HAB-ER17/33-2

Battery type	Lithium battery
Manufacturer	Hitachi Maxell, Ltd.
Manufacturer model	ER17/33 (3.6V 1,600 mAh)



Data retention time

Data retention time	Approx. 1 year after the power is cut off
Conditions	Unused power is turned OFF, ambient temperature: 25°C, axis stopped, continuous use (The actual life varies depending on the condition of use.)

### Caution

- A battery purchased separately from the battery manufacturer does not come with connector wires or removal tape. Prepare them on your own and attach them to the battery before use.

## Monitor cable

Use this signal cable to measure speed, torque and other signals using an oscilloscope.

Model	EWA-MON01-JST4
-------	----------------



Line Color : Red 2: White 3: Black 4: Green



# Appendix

## Appendix

---

The list of default parameters and regenerative resistors are explained.

---

A-1	Default settings	A-1
A-2	Regenerative resistor	A-6
A-3	List of data retained in the driver	A-17
A-4	Driver replacement procedures	A-20

# A-1 Default settings

The standards parameter values set as a default for each applicable actuator are shown below.

## SHA series (voltage: 200V)

Actuator model No.		SHA25							SHA32						
Actuator speed ratio		11	51	81	51	121	161	201	11	51	81	101	121	161	201
Combined driver		HA-800A-3D-200							HA-800A-6D-200						
d13	Applicable actuator code	5801	5011	5021	5031	5041	5051		5811	5111	5121	5131	5141	5151	
AJ00	Position loop gain (default)	40	40	40	40	40	40	40	40	40	40	40	40	40	40
AJ01	Speed loop gain (default)	25	25	25	25	25	25	25	56	56	56	56	56	56	56
AJ02	Speed loop integral compensation (default)	20	20	20	20	20	20	20	70	70	70	70	70	70	70
AJ04	In-position range (default)	150	150	150	150	150	150	150	150	150	150	150	150	150	150
SP49	Allowable position deviation (default)	1500	1500	1500	1500	1500	1500	1500	1500	1500	1500	1500	1500	1500	1500
SP51	Speed input factor (default)	5600	5600	5600	5600	5600	5600	5600	4800	4800	4800	4800	4800	4800	4800
SP60	Automatic gain (default)	0	0	0	0	0	0	0	0	0	0	0	0	0	0
SP61	Encoder monitor output pulses	8192	8192	8192	8192	8192	8192	8192	8192	8192	8192	8192	8192	8192	8192

Actuator model No.		SHA40					SHA40				
Actuator speed ratio		51	81	101	121	161	51	81	101	121	161
Combined driver		HA-800A-6D-200					HA-800A-24D-200				
d13	Applicable actuator code	5211	5221	5231	5241	5251	5211	5221	5231	5241	5251
AJ00	Position loop gain (default)	40	40	40	40	40	8	8	8	8	8
AJ01	Speed loop gain (default)	80	80	80	80	80	60	60	60	60	60
AJ02	Speed loop integral compensation (default)	60	60	60	60	60	1500	1500	1500	1500	1500
AJ04	In-position range (default)	150	150	150	150	150	150	150	150	150	150
SP49	Allowable position deviation (default)	1500	1500	1500	1500	1500	5211	5221	5231	5241	5251
SP51	Speed input factor (default)	4000	4000	4000	4000	4000	4000	4000	4000	4000	4000
SP60	Automatic gain (default)	0	0	0	0	0	0	0	0	0	0
SP61	Encoder monitor output pulses	8192	8192	8192	8192	8192	8192	8192	8192	8192	8192

Actuator model No.		SHA58				SHA65			
Actuator speed ratio		81	101	121	161	81	101	121	161
Combined driver		HA-800A-24D-200				HA-800A-24D-200			
d13	Applicable actuator code	5421	5431	5441	5451	5521	5531	5541	5551
AJ00	Position loop gain (default)	40	40	40	40	40	40	40	40
AJ01	Speed loop gain (default)	26	26	26	26	30	30	30	30
AJ02	Speed loop integral compensation (default)	60	60	60	60	60	60	60	60
AJ04	In-position range (default)	150	150	150	150	150	150	150	150
SP49	Allowable position deviation (default)	1500	1500	1500	1500	1500	1500	1500	1500
SP51	Speed input factor (default)	3000	3000	3000	3000	2800	2800	2800	2800
SP60	Automatic gain (default)	0	0	0	0	0	0	0	0
SP61	Encoder monitor output pulses	8192	8192	8192	8192	8192	8192	8192	8192

**SHA series (voltage: 100V)**

Actuator model No.		SHA25				
Actuator speed ratio		51	81	101	121	161
Combined driver		HA-800*-6D-100				
d13	Applicable actuator code	5611	5621	5631	5641	5651
AJ00	Position loop gain (default)	40	40	40	40	40
AJ01	Speed loop gain (default)	25	25	25	25	25
AJ02	Speed loop integral compensation (default)	20	20	20	20	20
AJ04	In-position range (default)	150	150	150	150	150
SP49	Allowable position deviation (default)	1500	1500	1500	1500	1500
SP51	Speed input factor (default)	4800	4800	4800	4800	4800
SP60	Automatic gain (default)	0	0	0	0	0
SP61	Encoder monitor output pulses	8192	8192	8192	8192	8192

**FHA-C 4-wire, wire-saving incremental series (voltage: 200V)**

Actuator model No.		FHA-8C			FHA-11C			FHA-14C		
Actuator speed ratio		30	50	100	30	50	100	30	50	100
Combined driver		HA-800A-1C-200			HA-800A-1C-200			HA-800A-1C-200		
d13	Applicable actuator code	6204	6214	6234	6404	6414	6434	6604	6614	6634
AJ00	Position loop gain (default)	40	40	40	40	40	40	40	40	40
AJ01	Speed loop gain (default)	35	35	35	45	45	45	80	80	80
AJ02	Speed loop integral compensation (default)	20	20	20	20	20	20	20	20	20
AJ04	In-position range (default)	10	10	10	10	10	10	10	10	10
SP49	Allowable position deviation (default)	100	100	100	100	100	100	100	100	100
SP51	Speed input factor (default)	6000	6000	6000	6000	6000	6000	6000	6000	6000
SP60	Automatic gain (default)	1	1	1	1	1	1	1	1	1
SP61	Encoder monitor output pulses	1	1	1	1	1	1	1	1	1

**FHA-C 4-wire, wire-saving incremental series (voltage: 100V)**

Actuator model No.		FHA-8C			FHA-11C			FHA-14C		
Actuator speed ratio		30	50	100	30	50	100	30	50	100
Combined driver		HA-800A-1C-100			HA-800A-1C-100			HA-800A-1C-100		
d13	Applicable actuator code	6304	6314	6334	6504	6514	6534	6704	6714	6734
AJ00	Position loop gain (default)	40	40	40	40	40	40	40	40	40
AJ01	Speed loop gain (default)	35	35	35	45	45	45	80	80	80
AJ02	Speed loop integral compensation (default)	20	20	20	20	20	20	20	20	20
AJ04	In-position range (default)	10	10	10	10	10	10	10	10	10
SP49	Allowable position deviation (default)	100	100	100	100	100	100	100	100	100
SP51	Speed input factor (default)	6000	6000	6000	6000	6000	6000	6000	6000	6000
SP60	Automatic gain (default)	1	1	1	1	1	1	1	1	1
SP61	Encoder monitor output pulses	1	1	1	1	1	1	1	1	1

**FHA-Cmini absolute series (voltage: 200V)**

Actuator model No.		FHA-8C			FHA-11C			FHA-14C		
Actuator speed ratio		30	50	100	30	50	100	30	50	100
Combined driver		HA-800A-1D-200			HA-800A-1D-200			HA-800A-1D-200		
d13	Applicable actuator code	6201	6211	6231	6401	6411	6431	6601	6611	6631
AJ00	Position loop gain (default)	40	40	40	40	40	40	40	40	40
AJ01	Speed loop gain (default)	21	21	21	27	27	27	48	48	48
AJ02	Speed loop integral compensation (default)	20	20	20	20	20	20	20	20	20
AJ04	In-position range (default)	150	150	150	150	150	150	150	150	150
SP49	Allowable position deviation (default)	1500	1500	1500	1500	1500	1500	1500	1500	1500
SP51	Speed input factor (default)	6000	6000	6000	6000	6000	6000	6000	6000	6000
SP60	Automatic gain (default)	1	1	1	1	1	1	1	1	1
SP61	Encoder monitor output pulses	8192	8192	8192	8192	8192	8192	8192	8192	8192

**FHA-Cmini absolute series (voltage: 100V)**

Actuator model No.		FHA-8C			FHA-11C			FHA-14C		
Actuator speed ratio		30	50	100	30	50	100	30	50	100
Combined driver		HA-800A-1D-100			HA-800A-1D-100			HA-800A-1D-100		
d13	Applicable actuator code	6301	6311	6331	6501	6511	6531	6701	6711	6731
AJ00	Position loop gain (default)	40	40	40	40	40	40	40	40	40
AJ01	Speed loop gain (default)	21	21	21	27	27	27	48	48	48
AJ02	Speed loop integral compensation (default)	20	20	20	20	20	20	20	20	20
AJ04	In-position range (default)	150	150	150	150	150	150	150	150	150
SP49	Allowable position deviation (default)	1500	1500	1500	1500	1500	1500	1500	1500	1500
SP51	Speed input factor (default)	6000	6000	6000	6000	6000	6000	6000	6000	6000
SP60	Automatic gain (default)	1	1	1	1	1	1	1	1	1
SP61	Encoder monitor output pulses	8192	8192	8192	8192	8192	8192	8192	8192	8192

**FHA-C 4-wire, wire-saving incremental series (voltage: 200V)**

Actuator model No.		FHA-17C			FHA-25C			FHA-32C			FHA-40C		
Actuator speed ratio		50	100	160	50	100	160	50	100	160	50	100	160
Combined driver		HA-800A-3C-200			HA-800A-3C-200			HA-800A-6C-200			HA-800A-6C-200		
d13	Applicable actuator code	5217	5237	5247	5417	5437	5447	5617	5637	5647	5717	5737	5747
AJ00	Position loop gain (default)	40	40	40	40	40	40	40	40	40	40	40	40
AJ01	Speed loop gain (default)	25	25	25	50	50	50	80	80	80	120	120	120
AJ02	Speed loop integral compensation (default)	40	40	40	40	40	40	40	40	40	40	40	40
AJ04	In-position range (default)	10	10	10	10	10	10	10	10	10	10	10	10
SP49	Allowable position deviation (default)	100	100	100	100	100	100	100	100	100	100	100	100
SP51	Speed input factor (default)	4800	4800	4800	4500	4500	4500	4000	4000	4000	3500	3500	3500
SP60	Automatic gain (default)	0	0	0	0	0	0	0	0	0	0	0	0
SP61	Encoder monitor output pulses	1	1	1	1	1	1	1	1	1	1	1	1

**FHA-C 4-wire, wire-saving incremental series (voltage: 100V)**

Actuator model No.		FHA-17C			FHA-25C			FHA-32C		
Actuator speed ratio		50	100	160	50	100	160	50	100	160
Combined driver		HA-800A-3C-100			HA-800A-6C-100			HA-800A-6C-100		
d13	Applicable actuator code	5117	5137	5147	5317	5337	5347	5517	5537	5547
AJ00	Position loop gain (default)	40	40	40	37	37	37	50	50	50
AJ01	Speed loop gain (default)	50	50	50	50	50	50	120	120	120
AJ02	Speed loop integral compensation (default)	40	40	40	40	40	40	40	40	40
AJ04	In-position range (default)	10	10	10	10	10	10	10	10	10
SP49	Allowable position deviation (default)	100	100	100	100	100	100	100	100	100
SP51	Speed input factor (default)	4800	4800	4800	4500	4500	4500	4000	4000	4000
SP60	Automatic gain (default)	0	0	0	0	0	0	0	0	0
SP61	Encoder monitor output pulses	1	1	1	1	1	1	1	1	1

**FHA-C absolute series (voltage: 200V)**

Actuator model No.		FHA-17C			FHA-25C			FHA-32C			FHA-40C		
Actuator speed ratio		50	100	160	50	100	160	50	100	160	50	100	160
Combined driver		HA-800A-3A-200			HA-800A-3A-200			HA-800A-6A-200			HA-800A-6A-200		
d13	Applicable actuator code	5218	5238	5248	5418	5438	5448	5618	5638	5648	5718	5738	5748
AJ00	Position loop gain (default)	40	40	40	40	40	40	40	40	40	40	40	40
AJ01	Speed loop gain (default)	25	25	25	50	50	50	80	80	80	120	120	120
AJ02	Speed loop integral compensation (default)	40	40	40	50	50	50	40	40	40	70	70	70
AJ04	In-position range (default)	10	10	10	10	10	10	10	10	10	10	10	10
SP49	Allowable position deviation (default)	100	100	100	100	100	100	100	100	100	100	100	100
SP51	Speed input factor (default)	4800	4800	4800	4500	4500	4500	4000	4000	4000	3500	3500	3500
SP60	Automatic gain (default)	0	0	0	0	0	0	0	0	0	0	0	0
SP61	Encoder monitor output pulses	1	1	1	1	1	1	1	1	1	1	1	1

### FHA-C absolute series (voltage: 100V)

Actuator model No.		FHA-17C			FHA-25C			FHA-32C		
Actuator speed ratio		50	100	160	50	100	160	50	100	160
Combined driver		HA-800A-3A-100			HA-800A-6A-100			HA-800A-6A-100		
d13	Applicable actuator code	5118	5138	5148	5318	5338	5348	5518	5538	5548
AJ00	Position loop gain (default)	40	40	40	37	37	37	50	50	50
AJ01	Speed loop gain (default)	50	50	50	50	50	50	120	120	120
AJ02	Speed loop integral compensation (default)	40	40	40	50	50	50	40	40	40
AJ04	In-position range (default)	10	10	10	10	10	10	10	10	10
SP49	Allowable position deviation (default)	100	100	100	100	100	100	100	100	100
SP51	Speed input factor (default)	4800	4800	4800	4500	4500	4500	4000	4000	4000
SP60	Automatic gain (default)	0	0	0	0	0	0	0	0	0
SP61	Encoder monitor output pulses	1	1	1	1	1	1	1	1	1

### RSF 14-wire, wire-saving incremental series (voltage: 200V)

Actuator model No.		RSF-17A		RSF-20A		RSF-25A		RSF-32A		
Actuator speed ratio		50	100	50	100	50	100	50	100	160
Combined driver		HA-800A-3B-200		HA-800A-3B-200		HA-800A-3B-200		HA-800A-6B-200		
d13	Applicable actuator code	7365	7375	7465	7475	7565	7575	7665	7675	7685
AJ00	Position loop gain (default)	50	50	30	30	50	50	50	50	50
AJ01	Speed loop gain (default)	30	30	35	35	40	40	50	50	50
AJ02	Speed loop integral compensation (default)	50	50	30	30	50	50	50	50	50
AJ04	In-position range (default)	10	10	10	10	10	10	10	10	10
SP49	Allowable position deviation (default)	100	100	100	100	100	100	100	100	100
SP51	Speed input factor (default)	3000	3000	3000	3000	3000	3000	3000	3000	3000
SP60	Automatic gain (default)	0	0	0	0	0	0	0	0	0
SP61	Encoder monitor output pulses	1	1	1	1	1	1	1	1	1



## A-2 Regenerative resistor

The following explains the built-in regenerative resistor and external regenerative resistance of the driver.

### Built-in driver regenerative resistor and regenerative power

Putting a brake on the machine's movement causes the rotational energy of the machine (including the actuator) to be returned to the driver. This electric energy is called regeneration capacity. The energy returned is called regenerative energy and regenerative energy per unit time is called regenerative power.

Regenerative energy is absorbed as electric energy by the power smoothing capacitor in the driver. If the regenerative energy produced by braking increases and exceeds the energy absorbable to the capacitor, the excess regenerative energy is absorbed (consumed) by a regenerative resistor.

Different HA-800 drivers come with or without a built-in regenerative resistor, as shown in the table below.

Different HA-800 drivers come with or without a built-in regenerative resistor, as shown in the table below. You can connect an external regenerative resistor to handle the excess regenerative power or regenerative energy that cannot be absorbed (consumed) by the regenerative resistor in the driver.

Input voltage	200V specification/100V specification			
Model	HA-800A-1	HA-800A-3	HA-800A-6	HA-800A-24
Driver's rated current	1.5 A	3.0 A	6 A	24 A
Regenerative processing	Terminal for mounting external regenerative resistance provided	Regenerative resistor contained Terminal for mounting external regenerative resistance provided		
Power absorbed by built-in regenerative resistor	-	3W max.	8W max.	90W max.
Allowable absorption energy per regenerative operation (holding) when a built-in regenerative resistor is used (repeat cycle)	30J (200V specification) 53J (100V specification) *1 *2	90J (200V specification) 110J (100V specification) *2	220J (200V specification) 260J (100V specification) *2	1600J *2
Allowable absorption energy per regenerative operation (holding) when a built-in regenerative resistor is used (non-repeat cycle)		150J	420J	2400J
Explanation	There is no built-in regenerative resistor. Normally you don't need any external regenerative resistor. Connect an external regenerative resistor if the smoothing capacitor in the driver cannot absorb the regenerative energy fully.	Connect an external regenerative resistor if the regenerative power is greater than the power absorbed by the built-in regenerative resistor.		

\*1: Standard value of power absorbed by an electrode capacitor

\*2: 200V specification is the standard value for when the input voltage is AC200V. 100V specification is the standard value for when the input voltage is AC100V.

### **Examination of regenerative energy**

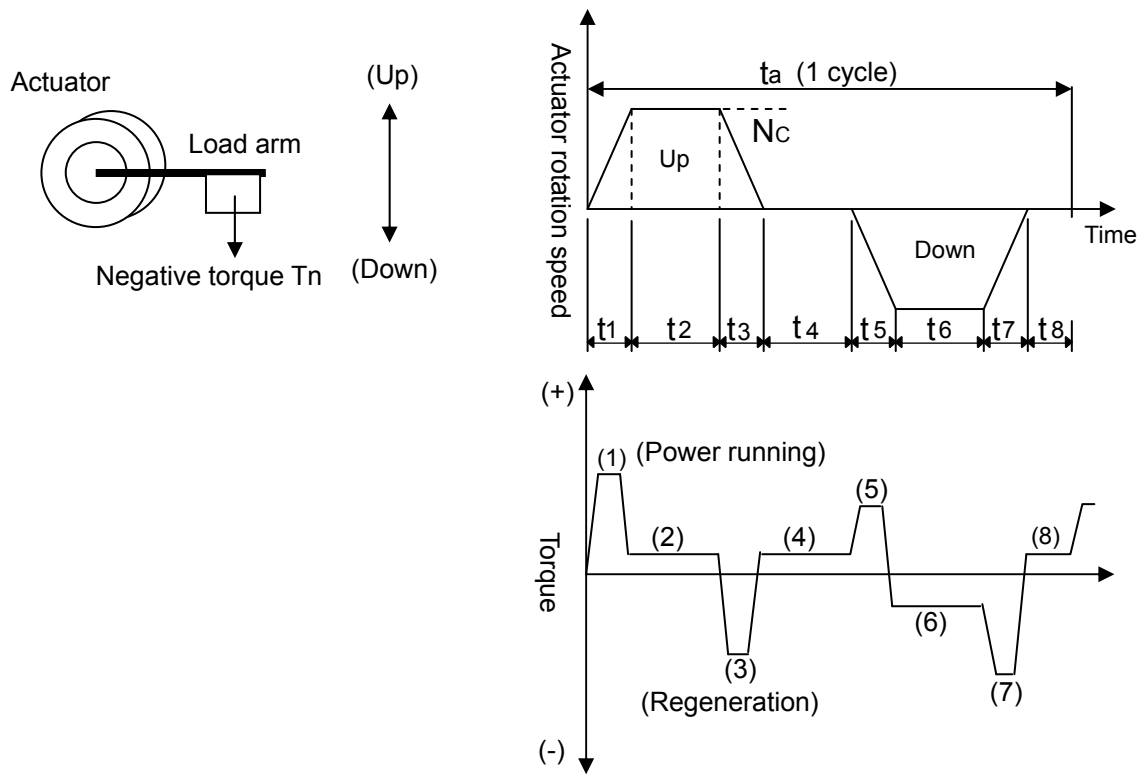
Examine installing a regenerative resistor in the following conditions:

- Drive with high inertia moment and load.
- The system is stopped frequently.
- Continuous regeneration occurs such as when the load moves up and down

In these cases, calculate the regenerative energy and check the power that can be absorbed by the built-in regenerative resistor of the driver. If the regenerative energy is greater, install an external regenerative resistor.

### Calculation of regenerative energy

Calculate the regenerative energy by assuming that the machine operates as shown below.



Tn: Negative torque of load    Tf: Friction torque of drive-train  
 Ja: Inertia moment of actuator  
 Jm: Inertia moment of load  
 Nc: Max. rotation speed during actuator operation (r/m)

Step	Actuator torque	Energy
(1)	$T1 = (Ja + Jm) \times \{(2\pi \times Nc) / 60\} \times (1 / t1) + Tn + Tf$	$E1 = 1/2 \times \{(2\pi \times Nc) / 60\} \times Nc \times T1 \times t1$
(2)	$T2 = Tn + Tf$	$E2 = (2\pi \times Nc) / 60 \times Nc \times T2 \times t2$
(3)	$T3 = - (Ja + Jm) \times \{(2\pi \times Nc) / 60\} \times (1 / t3) + Tn + Tf$	$E3 = 1/2 \times \{(2\pi \times Nc) / 60\} \times Nc \times T3 \times t3$
(4),(8)	$T4 = Tn$	0 (Regenerative energy is 0, because the actuator is stopped.)
(5)	$T5 = (Ja + Jm) \times \{(2\pi \times Nc) / 60\} \times (1 / t5) - Tn + Tf$	$E5 = 1/2 \times \{(2\pi \times Nc) / 60\} \times Nc \times T5 \times t5$
(6)	$T6 = -Tn + Tf$	$E6 = (2\pi \times Nc) / 60 \times Nc \times T6 \times t6$
(7)	$T7 = - (Ja + Jm) \times \{(2\pi \times Nc) / 60\} \times (1 / t7) - Tn + Tf$	$E7 = 1/2 \times \{(2\pi \times Nc) / 60\} \times Nc \times T7 \times t7$

Of energies E1 to E8, negative energies are added up and the absolute value of this total sum gives the regenerative energy <Es>. If E3, E6 and E7 are negative in the above example, the total regenerative energy is calculated as follows:

$$Es = | E3 + E6 + E7 |$$

## Energy absorbed by external regenerative resistor

The table below lists the regenerative energies that can be absorbed by the power smoothing capacitor of the HA-800 driver and capacities of the driver's built-in regenerative resistor R.

Driver model	Energy absorbed by built-in capacitor $E_c$ (J) *1	Built-in regenerative resistor specification		Min. allowable external resistance ( $\Omega$ )
		Absorption capacity $W_i$ (W) *2	Resistance ( $\Omega$ )	
HA-800A-1	30	-	-	33 $\Omega$ - 5%
HA-800A-3	30	3W max.	50 $\Omega$ $\pm$ 5%	33 $\Omega$ - 5%
HA-800A-6	52	8W max.	33 $\Omega$ $\pm$ 5%	33 $\Omega$ - 5%
HA-800A-24	78	90W max.	10 $\Omega$ $\pm$ 5%	10 $\Omega$ - 5%

\*1: The value of capacitor-absorbed energy  $E_c$  represents the standard absorption level of the capacitor at the driver's main service input voltage AC200V. Energy absorbed by built-in capacitor significantly varies depending on input voltage and drive pattern. It also varies over time. Derate the rated capacity to 50% of the standard absorption level as a guideline and perform the calculation.

\*2: Absorption capacity of the built-in regenerative resistor [ $W_i$ ] refers to the size of regenerative power that can be absorbed by the resistor when its rated capacity is derated.

Calculate the regenerative energy that must be absorbed by the regenerative resistor using each of the values above.

Divide the regenerative energy by the operation cycle time to calculate the regenerative power that needs to be absorbed by the regenerative resistor  $\langle W_e \rangle$ .

$$W_e [W] = (E_s - E_c) / t_a$$

If  $\langle W_e \rangle$  is less than the power absorbed by a built-in regenerative resistor  $\langle W_i \rangle$ , no external regenerative resistor is required. If  $\langle W_e \rangle$  exceeds  $\langle W_i \rangle$ , select an appropriate external regenerative resistor according to the capacity of  $\langle W_e \rangle$ . Select a resistance equal to or greater than the applicable minimum allowable resistance shown in the table.

When you use an external regenerative resistor, remove the short bar to separate the built-in regenerative resistor from the circuit. The built-in regenerative resistor stops absorbing regenerative energy and thus stops generating heat. This allows connecting a large external regenerative resistor.

\* HA-800A-24 allows monitoring regenerative power.

## External regenerative resistor

An external regenerative resistor must be provided by the customer. Select an appropriate regenerative resistor by referring to the example below.

Examples of recommended products

Driver model	Resistor	Remarks
HA-800A-1	RH220B33Ω J	Allowable absorption power: Approximately 20 to 30W (depends on the cooling conditions) Allowable absorption energy per regenerative operation: 2,200J
HA-800A-3	Iwaki Musen	
HA-800A-6	Kenkyusho Co., Ltd.	
HA-800A-24	RH500 20ΩJ (Parallel connection of 2 resistors) Iwaki Musen Kenkyusho Co., Ltd.	Allowable absorption power: Approximately 150W (depends on the cooling conditions) Allowable absorption energy per regenerative operation: 13,000J Connect 2 resistors in parallel. (Refer to the connection example below.)
	RH500 10ΩJ (Parallel connection in series of 4 resistors) Iwaki Musen Kenkyusho Co., Ltd.	Allowable absorption power: Approximately 300W (Varies depending on the cooling conditions) Allowable absorption energy per regenerative operation: 36,000J Connect four resistors in series and parallel. (Refer to the connection example below.)

### Derating the external regenerative resistor

- **Rise in regenerative resistor temperature**

Power resistors used as regenerative resistors consume a large amount of power and become very hot. Accordingly, be sure to derate the rated capacity of your resistor. Without proper derating, the resistor may present problems such as becoming heated to several hundred degrees or failing prematurely.

- **Derating**

Check the load characteristics of your resistor with its manufacturer. Basically the derating ratio should be 20% or less if the driver is used in a condition of natural convection cooling. Follow the internal standard of your company.

### Layout and wiring of external regenerative resistor

- **Layout**

Regenerative resistors may be heated to 100°C or more above the ambient temperature. Carefully determine the position of the radiation, installation position, wiring path, etc.

- **Wiring**

Use flame-resistant wires to wire the resistor by avoiding contact between the wires and resistor body. Be sure to use twisted wires when connecting to the servo amplifier, and keep the wiring distance to no longer than 5m.

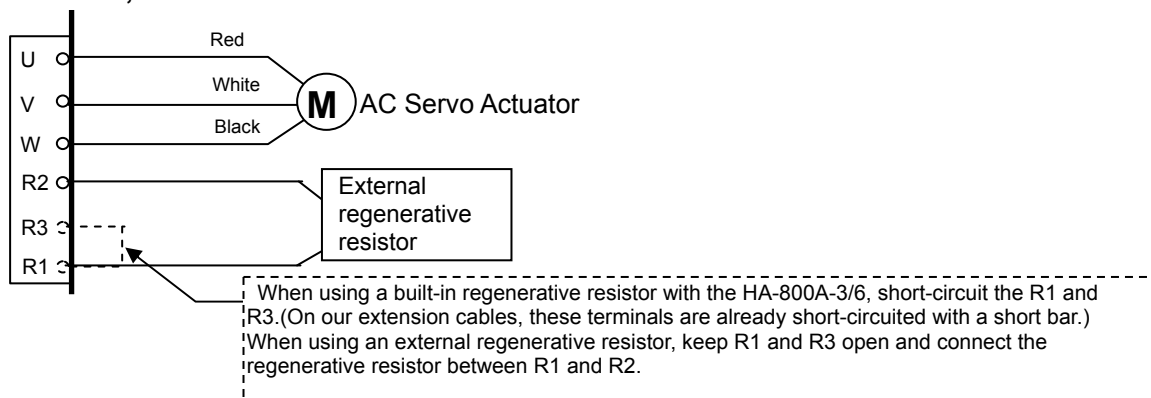


Regenerative resistors become very hot. Determine the position of the radiation, installation position, wiring path, etc. by giving thorough consideration to safety.

● **Connecting to the driver**

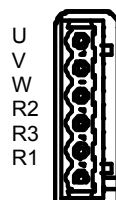
Connect the external regenerative resistor between the R1 and R2 terminals of the HA-800 driver.

**HA-800\*-1, -3 and -6**

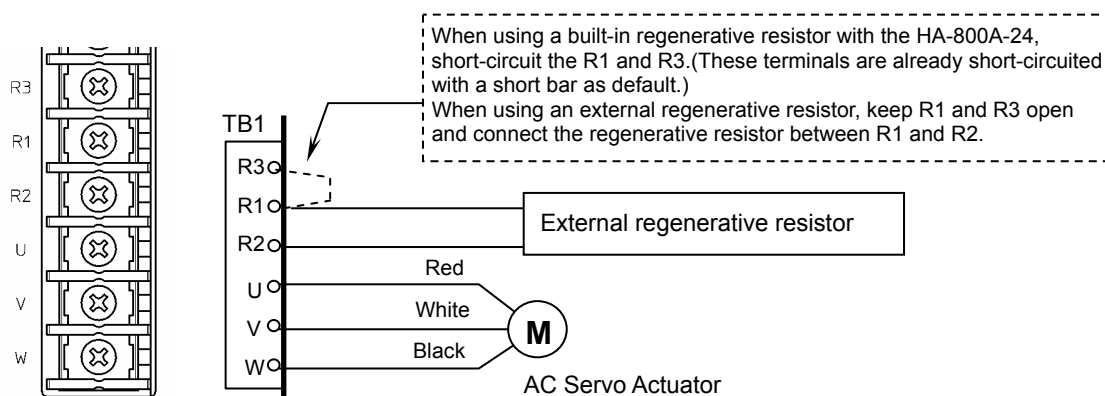


Terminal block for motor connection (for TB1)

<b>Manufacturer</b>	Phoenix Contact
<b>Model</b>	FKIC2.5/6-ST-5.08



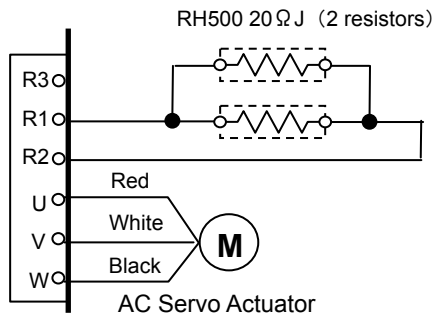
**HA-800\*-24**



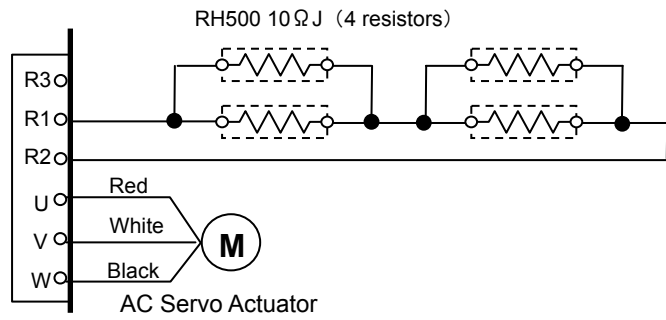
Screw size	Crimp terminal outer diameter	Reference
M4	φ8mm	Round crimp terminal (R-type) 3.5-R4 (J.S.T. Mfg. Co., Ltd) 5.5-4NS (J.S.T. Mfg. Co., Ltd)

● Connection example of external regenerative resistor

Regenerative power: 150W



Regenerative power: 300W



## Allowable load inertia

The following is a list of recommended allowable inertia in a horizontal drive at the max. rotational speed (The input voltages are AC200V for 200V specifications, AC100V for 100V specifications). (The allowable load inertia varies depending on the motor speed, operation pattern, and input voltage etc. during an actual operation.)

When the regenerative resistance (built-in or external) is applied, it should be within the allowable absorption power or allowable absorption energy of regenerative resistance.

### SHA series (voltage: 200V)

Actuator model No.		SHA25A					
Actuator speed ratio		11	51	81	101	121	161
Combined driver		HA-800A-3D-200					
Max. rotational speed	(r/min)	509.1	109.8	69.1	55.4	46.3	34.8
Actuator inertia moment (no brake)	kg·m <sup>2</sup>	0.029	0.56	1.42	2.2	3.2	5.6
	kgf·cm·s <sup>2</sup>	0.296	5.7	14.4	22	32	57
Actuator inertia moment (with brake)	kg·m <sup>2</sup>	0.034	0.66	1.66	2.6	3.7	6.6
	kgf·cm·s <sup>2</sup>	0.347	6.7	17	26	38	67
Allowable load inertia moment when a built-in regenerative resistor is used (repeat cycle)	kg·m <sup>2</sup>	0.034	0.79	2.0	3.1	4.4	7.9
	kgf·cm·s <sup>2</sup>	0.347	8.1	20.4	31.6	44.9	80.6
Allowable load inertia moment when a built-in regenerative resistor is used (non-repeat cycle)	kg·m <sup>2</sup>	0.071	1.3	3.4	5.4	7.7	13.8
	kgf·cm·s <sup>2</sup>	0.724	13.2	34.7	55.1	78.5	140
Allowable load inertia moment when an external regenerative resistor is used	kg·m <sup>2</sup>	0.288	5.6	8.8	11	14	20
	kgf·cm·s <sup>2</sup>	2.939	57	90	112	144	201
	External regenerative resistor	RH220B33ΩJ					

Actuator model No.		SHA32A					
Actuator speed ratio		11	51	81	101	121	161
Combined driver		HA-800A-6D-200					
Max. rotational speed	(r/min)	436.4	94.1	59.3	47.5	39.7	29.8
Actuator inertia moment (no brake)	kg·m <sup>2</sup>	0.092	2.0	5.1	8.0	11	20
	kgf·cm·s <sup>2</sup>	0.939	21	52	81	117	207
Actuator inertia moment (with brake)	kg·m <sup>2</sup>	0.1065	2.3	5.9	9.2	13	23
	kgf·cm·s <sup>2</sup>	1.087	24	60	94	135	238
Allowable load inertia moment when a built-in regenerative resistor is used (repeat cycle)	kg·m <sup>2</sup>	0.1065	2.3	5.9	9.2	13	23
	kgf·cm·s <sup>2</sup>	1.087	24	60	94	135	238
Allowable load inertia moment when a built-in regenerative resistor is used (non-repeat cycle)	kg·m <sup>2</sup>	0.276	6.0	15.3	24	33	60
	kgf·cm·s <sup>2</sup>	2.817	61.2	156	244	336	612
Allowable load inertia moment when an external regenerative resistor is used	kg·m <sup>2</sup>	0.930	20	32	40	50	70
	kgf·cm·s <sup>2</sup>	9.490	200	320	400	510	710
	External regenerative resistor	RH220B33ΩJ					



Actuator model No.		SHA40A									
Actuator speed ratio		51	81	101	121	161	51	81	101	121	161
Combined driver		HA-800A-6D-200					HA-800A-24D-200				
Max. rotational speed	(r/min)	78.4	49.4	39.6	33.1	24.8	78.4	49.4	39.6	33.1	24.8
Actuator inertia moment (no brake)	kg·m <sup>2</sup>	5.0	13	20	28	50	5.0	13	20	28	50
	kgf·cm·s <sup>2</sup>	51	130	202	290	513	51	130	202	290	513
Actuator inertia moment (with brake)	kg·m <sup>2</sup>	6.1	15	24	34	61	6.1	15	24	34	61
	kgf·cm·s <sup>2</sup>	62	157	244	350	619	62	157	244	350	619
Allowable load inertia moment when a built-in regenerative resistor is used (repeat cycle)	kg·m <sup>2</sup>	1.2	3	4.8	6.8	12.2	40	92	114	137	182
	kgf·cm·s <sup>2</sup>	12.2	30.6	49	69	124	408	930	1170	1400	1860
Allowable load inertia moment when a built-in regenerative resistor is used (non-repeat cycle)	kg·m <sup>2</sup>	6.1	15	24	34	61	58	92	114	137	182
	kgf·cm·s <sup>2</sup>	62.2	153	244	346	622	590	930	1170	1400	1860
Allowable load inertia moment when an external regenerative resistor is used	kg·m <sup>2</sup>	58	92	114	137	182	58	(92)	(114)	(137)	(182)
	kgf·cm·s <sup>2</sup>	590	930	1170	1400	1860	590	(930)	(1170)	(1400)	(1860)
	External regenerative resistor	RH220B33QJ					Connect two RH500_20QJ in parallel, or connect four RH500_10QJ in series and parallel.				

Actuator model No.		SHA58A					SHA65A				
Actuator speed ratio		81	101	121	161		81	101	121	161	
Combined driver		HA-800A-24D-200					HA-800A-24D-200				
Max. rotational speed	(r/min)	37.0	29.7	24.8	18.6		34.6	27.7	23.1	17.4	
Actuator inertia moment (no brake)	kg·m <sup>2</sup>	96	149	214	379		110	171	245	433	
	kgf·cm·s <sup>2</sup>	980	1520	2180	3870		1120	1740	2500	4420	
Actuator inertia moment (with brake)	kg·m <sup>2</sup>	106	165	237	420		120	187	268	475	
	kgf·cm·s <sup>2</sup>	1090	1690	2420	4290		1230	1910	2740	4850	
Allowable load inertia moment when a built-in regenerative resistor is used (repeat cycle)	kg·m <sup>2</sup>	111	173	249	441		128	200	288	508	
	kgf·cm·s <sup>2</sup>	1133	1765	2541	4500		1306	2041	2939	5184	
Allowable load inertia moment when a built-in regenerative resistor is used (non-repeat cycle)	kg·m <sup>2</sup>	212	330	474	840		240	374	536	950	
	kgf·cm·s <sup>2</sup>	2160	3360	4830	8570		2440	3810	5460	9690	
Allowable load inertia moment when an external regenerative resistor is used	kg·m <sup>2</sup>	290	450	640	1140		360	560	810	1420	
	kgf·cm·s <sup>2</sup>	2900	4600	6500	11600		3700	5700	8200	14500	
	External regenerative resistor	Connect two RH500_20QJ in parallel, or connect four RH500_10QJ in series and parallel.					Connect two RH500_20QJ in parallel, or connect four RH500_10QJ in series and parallel.				

**SHA series (voltage: 100V)**

Actuator model No.		SHA25A									
Actuator speed ratio		51	81	101	121	161					
Combined driver		HA-800A-6D-100									
Max. rotational speed	(r/min)	94.1	59.2	47.5	39.6	29.8					
Actuator inertia moment (no brake)	kg·m <sup>2</sup>	0.56	1.42	2.2	3.2	5.6					
	kgf·cm·s <sup>2</sup>	5.7	14.4	22	32	57					
Actuator inertia moment (with brake)	kg·m <sup>2</sup>	0.66	1.66	2.6	3.7	6.6					
	kgf·cm·s <sup>2</sup>	6.7	17	26	38	67					
Allowable load inertia moment when a built-in regenerative resistor is used (repeat cycle)	kg·m <sup>2</sup>	3.3	8.0	11	14	20					
	kgf·cm·s <sup>2</sup>	33.7	82	112	144	201					
Allowable load inertia moment when a built-in regenerative resistor is used (non-repeat cycle)	kg·m <sup>2</sup>	5.6	8.8	11	14	20					
	kgf·cm·s <sup>2</sup>	57	90	112	144	201					
Allowable load inertia moment when an external regenerative resistor is used	kg·m <sup>2</sup>	(5.6)	(8.8)	(11)	(14)	(20)					
	kgf·cm·s <sup>2</sup>	(57)	(90)	(112)	(144)	(201)					
	External regenerative resistor	RH220B33ΩJ									

**FHA-Cmini series (voltage: 100V/200V)**

Actuator model No.		FHA-8C			FHA-11C			FHA-14C		
Actuator speed ratio		30	50	100	30	50	100	30	50	100
Combined driver		HA-800A-1*-100 HA-800A-1*-200			HA-800A-1*-100 HA-800A-1*-200			HA-800A-1*-100 HA-800A-1*-200		
Max. rotational speed	(r/min)	200	120	60	200	120	60	200	120	60
Actuator inertia moment	kg·m <sup>2</sup>	0.0026	0.0074	0.029	0.0060	0.017	0.067	0.018	0.050	0.20
	kgf·cm·s <sup>2</sup>	0.027	0.075	0.30	0.061	0.17	0.68	0.18	0.51	2.0
Allowable load inertia moment when a regenerative resistor is disconnected (repeat cycle)	kg·m <sup>2</sup>	0.0078	0.022	0.087	0.018	0.051	0.20	0.054	0.15	0.60
	kgf·cm·s <sup>2</sup>	0.081	0.23	0.90	0.18	0.51	2.0	0.54	1.5	6.0
Allowable load inertia moment when a regenerative resistor is not connected (non-repeat cycle)	kg·m <sup>2</sup>	0.0078	0.022	0.087	0.018	0.051	0.20	0.054	0.15	0.60
	kgf·cm·s <sup>2</sup>	0.081	0.23	0.90	0.18	0.51	2.0	0.54	1.5	6.0
Allowable load inertia moment when an external regenerative resistor is used	kg·m <sup>2</sup>	(0.0078)	(0.022)	(0.087)	(0.018)	(0.051)	(0.20)	(0.054)	(0.15)	(0.60)
	kgf·cm·s <sup>2</sup>	(0.081)	(0.23)	(0.90)	(0.18)	(0.51)	(2.0)	(0.54)	(1.5)	(6.0)
	External regenerative resistor	RH220B33ΩJ			RH220B33ΩJ			RH220B33ΩJ		

**Apx**

**Appendix**

**FHA-C series (voltage: 200V)**

Actuator model No.		FHA-17C			FHA-25C			FHA-32C			FHA-40C		
Actuator speed ratio		50	100	160	50	100	160	50	100	160	50	100	160
Combined driver		HA-800A-3*-200			HA-800A-3*-200			HA-800A-6*-200			HA-800A-6*-200		
Max. rotational speed	(r/min)	96	48	27	90	45	28	80	40	25	70	35	22
Actuator inertia moment	kg·m <sup>2</sup>	0.17	0.67	1.7	0.81	3.2	8.3	1.8	7.1	18.1	4.9	19.5	50
	kgf·cm·s <sup>2</sup>	1.7	6.9	17	8.3	33	85	18	72	185	50	200	510
Allowable load inertia moment when a built-in regenerative resistor is used (repeat cycle)	kg·m <sup>2</sup>	0.54	2.1	5.1	1.26	5.1	12.9	4.7	18	48	3.5	14	36
	kgf·cm·s <sup>2</sup>	5.4	21	52	12.9	52	132	48	184	490	36	143	378
Allowable load inertia moment when a built-in regenerative resistor is used (non-repeat cycle)	kg·m <sup>2</sup>	0.54	2.1	5.1	2.4	10	25	5.4	21	54	9.8	39	100
	Kgf·cm·s <sup>2</sup>	5.4	21	52	24	100	260	55	210	550	100	398	1020
Allowable load inertia moment when an external regenerative resistor is used	kg·m <sup>2</sup>	(0.54)	(2.1)	(5.1)	2.4	10	25	5.4	21	54	15	60	150
	kgf·cm·s <sup>2</sup>	(5.4)	(21)	(52)	24	100	260	55	210	550	150	610	1500
	External regenerative resistor	RH220B33ΩJ			RH220B33ΩJ			RH220B33ΩJ			RH220B33ΩJ		

**SHA series (voltage: 100V)**

Actuator model No.		FHA-17C			FHA-25C			FHA-32C					
Actuator speed ratio		50	100	160	50	100	160	50	100	160			
Combined driver		HA-800A-3*-100			HA-800A-6*-100			HA-800A-6*-100					
Max. rotational speed	(r/min)	96	48	30	90	45	28	64	32	20			
Actuator inertia moment	kg·m <sup>2</sup>	0.17	0.67	1.7	0.81	3.2	8.3	1.8	7.1	18.1			
	kgf·cm·s <sup>2</sup>	1.7	6.9	17	8.3	33	85	18	72	185			
Allowable load inertia moment when a built-in regenerative resistor is used (repeat cycle)	kg·m <sup>2</sup>	0.54	2.1	5.1	2.4	10	25	5.4	21	54			
	kgf·cm·s <sup>2</sup>	5.4	21	52	24	100	260	55	210	550			
Allowable load inertia moment when a built-in regenerative resistor is used (non-repeat cycle)	kg·m <sup>2</sup>	0.54	2.1	5.1	2.4	10	25	5.4	21	54			
	kgf·cm·s <sup>2</sup>	5.4	21	52	24	100	260	55	210	550			
Allowable load inertia moment when an external regenerative resistor is used	kg·m <sup>2</sup>	(0.54)	(2.1)	(5.1)	(2.4)	(10)	(25)	(5.4)	(21)	(54)			
	kgf·cm·s <sup>2</sup>	(5.4)	(21)	(52)	(24)	(100)	(260)	(55)	(210)	(550)			
	External regenerative resistor	RH220B33ΩJ			RH220B33ΩJ			RH220B33ΩJ					

**Apx**

Appendix

# A -3 List of data retained in the driver

This is a list of data retained in the internal non-volatile memory (EEPROM) of the driver and a list of operations of the set values.

There are two types of data that are retained in the non-volatile memory. They are adjustment parameters and system parameters.

## Adjustment parameters AJxx

Symbol	Name	Display, Edit, Save	
		Main unit display panel	Servo parameter setting Software PSF-800 *2
AJ00	Position loop gain	Displaying set values Editing set values	Displaying set values Editing set values Saving a file (psf extension)
AJ01	Speed loop gain		
AJ02	Speed loop integral compensation		
AJ03	Feed-forward gain		
AJ04	In-position range		
AJ05	Attained speed judgment value		
AJ06	Attained torque judgment value		
AJ07	Zero speed judgment value		
AJ08	Internal speed command 1		
AJ09	Internal speed command 2		
AJ10	Internal speed command 3		
AJ11	Torque limit		
AJ12	Acceleration time constant		
AJ13	Deceleration time constant		
AJ14	External speed command offset		
AJ15	External torque command offset		
AJ16	Speed monitor offset		
AJ17	Current monitor offset		
AJ18	System reservation *1		
AJ19	System reservation *1		
AJ20	Feed-forward filter	Displaying set values Editing set values	Displaying set values Editing set values Saving a file (psf extension)
AJ21	Load inertia moment ratio		
AJ22	Torque constant compensation factor		
AJ23	Spring constant compensation factor		
AJ24	System reservation *1		
AJ25	System reservation *1		
AJ26	System reservation *1		
AJ27	System reservation *1		
AJ28	System reservation *1		
AJ29	System reservation *1		
AJ30	System reservation *1		
AJ31	System reservation *1		
AJ32	System reservation *1		
AJ33	System reservation *1		
AJ34	System reservation *1		
AJ35	System reservation *1		
AJ36	System reservation *1		
AJ37	System reservation *1		
AJ38	System reservation *1		
AJ39	System reservation *1		
AJ40 to AJ59	System reservation *1	Displaying set values	Displaying set values Saving a file (psf extension)

- \*1: Do not change the parameters that are in the system reserved areas. The default setting of the system reservation may vary depending on the model/version.  
 \*2: If the set values change when the parameters are transferred between different models using PSF-800, it does not affect the product functions.

**System parameter SP00-39**

Symbol	Name	Display, Edit, Save	
		Main unit display panel	Servo parameter setting Software PSF-800 *2
SP00	Emergency stop input setting	Displaying set values Editing set values	Displaying set values Editing set values Saving a file (psf extension)
SP01	Reset input setting		
SP02	Clear input setting		
SP03	FWD inhibit input setting		
SP04	REV inhibit input setting		
SP05	FWD enable input setting		
SP06	REV enable input setting		
SP07	FWD selection input setting		
SP08	REV selection input setting		
SP09	Internal speed command 1 input setting		
SP10	Internal speed command 2 input setting		
SP11	Internal speed limit 1 input setting		
SP12	Internal speed limit 2 input setting		
SP13	Internal torque limit input setting		
SP14	Electronic gear selection input setting		
SP15	Control mode input setting		
SP16	INHIBIT input setting		
SP17	System reservation *1		
SP18	System reservation *1		
SP19	System reservation *1		
SP20	CN2-pin 16: Signal assignment and function setting	Displaying set values Editing set values	Displaying set values Editing set values Saving a file (psf extension)
SP21	CN2-pin 17: Signal assignment and function setting		
SP22	CN2-pin 18: Signal assignment and function setting		
SP23	CN2-pin 19: Signal assignment and function setting		
SP24	CN2-pin 20: Signal assignment and function setting		
SP25	CN2-pin 21: Signal assignment and function setting		
SP26	CN2-pin 22: Signal assignment and function setting		
SP27	System reservation *1		
SP28	System reservation *1		
SP29	System reservation *1		
SP30	System reservation *1		
SP31	System reservation *1		
SP32	System reservation *1		
SP33	System reservation *1		
SP34	System reservation *1		
SP35	System reservation *1		
SP36	System reservation *1		
SP37	System reservation *1		
SP38	System reservation *1		
SP39	System reservation *1		

\*1: Do not change the parameters that are in the system reserved areas. The default setting of the system reservation may vary depending on the model/version.

\*2: If the set values change when the parameters are transferred between different models using PSF-800, it does not affect the product functions.

**System parameter SP40-79**

Symbol	Name	Display, Edit, Save	
		Main unit display panel	Servo parameter setting Software PSF-800 *2
SP40	CN9-CP3 output signal setting	Displaying set values Editing set values	Displaying set values Editing set values Saving a file (psf extension)
SP41	Control mode switching setting		
SP42	Command pulse input pattern setting		
SP43	Multiplication of 2-phase input		
SP44	Electronic gear 1 numerator		
SP45	Electronic gear 1 denominator		
SP46	Electronic gear 2 numerator		
SP47	Electronic gear 2 denominator		
SP48	Deviation clear upon servo-ON		
SP49	Allowable position deviation		
SP50	Command polarity		
SP51	Speed input factor		
SP52	Zero clamp		
SP53	Torque input factor		
SP54	Status display setting		
SP55	DB enable/disable setting		
SP56	External speed limit enable/disable		
SP57	External torque limit enable/disable		
SP58	System reservation *1		
SP59	Angle compensation enable/disable setting		
SP60	Automatic positioning gain Setting enable/disable setting		
SP61	Encoder monitor output pulses		
SP62	System reservation *1		
SP63	System reservation *1		
SP64	Regenerative resistor selection		
SP65	FWD/REV inhibit operation		
SP66	System reservation *1		
SP67	System reservation *1		
SP68	System reservation *1		
SP69	System reservation *1		
SP70	System reservation *1		
SP71	System reservation *1		
SP72	System reservation *1		
SP73	System reservation *1		
SP74	System reservation *1		
SP75	System reservation *1		
SP76	System reservation *1		
SP77	System reservation *1		
SP78	System reservation *1		
SP79	System reservation *1		

\*1: Do not change the parameters that are in the system reserved areas. The default setting of the system reservation may vary depending on the model/version.

\*2: If the set values change when the parameters are transferred between different models using PSF-800, it does not affect the product functions.

# A -4 Driver replacement procedures


The following explains the procedures to replace the HA-800A driver for maintenance.

Procedures	Description		Places to check/Manual
1	Checking the items (items to be replaced)	<p>Check the nameplate of the driver currently used before the replacement. Check the type (TYPE) and combined actuator (ADJ.).</p> <ul style="list-style-type: none"> <li>• TYPE: _____</li> <li>• Combined actuator (ADJ.): _____</li> </ul>	<p>Nameplate on the side of the driver main unit</p> <p>2-1 Receiving inspection</p>
2	Checking the items (new items)	<p>Check the nameplate of the new driver. Check that the type (TYPE) and combined actuator (ADJ.) are the same as the ones currently used.</p> <p>* If the type and combined actuator are different, it cannot be replaced.</p>	
3	Checking the switch settings	<p>Check the switch settings of the driver currently used before the replacement.</p> <ul style="list-style-type: none"> <li>• Rotary switch (SW5) communication device number setting: _____</li> <li>• Dip switch (SW6) communication setting: Left side <u>OFF (Down)</u> Center OFF <u>OFF(Down)</u> Right side _____</li> </ul> <p>* The left side and the center dip switches (SW6) do not have any functions. They are normally switched OFF (Down). * These switch settings are the communication settings with the PSF-800 communication software. As a default, SW5 = 0 and SW6 = All OFF (Down).</p>	<p>Front side of the driver main unit, inside of the LED display cover</p> <p>1-9 Name and function of each part of a display panel</p>
4	Saving parameters *1	<p>Save the parameters set in the driver currently used (retained in EEPROM) before the replacement. [Adjustment parameters] [System parameters]</p> <ul style="list-style-type: none"> <li>• Name of the file to save (psf extension): _____</li> </ul>	<p>PSF-800 Communication software</p> <p>10-5-1 Saving set values</p>

\*1: If the parameter settings have not been changed and the default settings are used, and the new driver has the default parameter settings, it is not necessary to save/write the parameters. If you do not know the using condition, save/write the parameters.



**This work requires wiring changes. Exercise caution to prevent accidents such as electric shock.**



**When replacing the actuator/motor, adjustment of the device/machine coordinate settings may be required. Replace according to the specifications of the system, which includes the device main unit and host controller.**

Procedures	Description	Places to check/Manual
5	<p>Replacing items</p> <p>(1) Disconnect the power to the driver. After confirming that the CHARGE lamp is turned OFF (or wait until the lamp is turned OFF), disconnect <b>all the wiring</b> from the driver to be replaced.</p> <p>(2) Remove the driver to be replaced from the control board.</p> <p>(3) Install the new driver on the control board.</p> <p>(4) <b>Connect the power wiring (TB2 or r, s, R, S, T) and ground wire</b> to the new driver.</p> <p>(5) Connect the <b>personal computer communication cable (CN3)</b> to the new driver.</p> <p>* (4)(5) By not connecting the actuator wiring, unexpected actuator operation can be avoided if an incorrect operation command is input during the replacement work.</p>	
6	<p>Turn ON the control power supply</p> <p>Connect the control power (r, s) to the new driver. Check that the driver starts and LED display (7 segment LED) lights up.</p> <p>* At this time, an alarm may be displayed due to incomplete wiring or parameters not set. It does not affect the replacement work, so proceed to the next step of the procedure.</p> <p>* By supplying the control power (r, s) only, the driver main power supply is not charged. The time waiting for the CHARGE lamp to turn OFF (discharged) can be shortened during wiring work in step 8.</p> <p>* If the main power supply (R, S, T) cannot be connected separately, it is not a problem to connect both control power (r, s) and main power supply (R, S, T) simultaneously. In this case, perform the wiring work in step 8 after the CHARGE lamp is turned OFF (discharged) to prevent electrical shock.</p>	
7	<p>Writing parameters</p> <p>Write the parameters saved in [4. Saving parameters] to the new driver. [Adjustment parameters] [System parameters]</p>	<p>PSF-800 Communication software</p> <p>10-5-4. Writing a saved settings file to the driver</p>
8	<p>Wire connection</p> <p>Disconnect the power to the new driver. After confirming that the CHARGE lamp is turned OFF (or wait until the lamp is turned OFF), connect <b>all the wiring</b>.</p>	
9	<p>Switch settings</p> <p>Set the switch status noted in [3. Checking the switch settings] to the new driver.</p>	<p>Front side of the driver main unit, inside of the LED display cover</p> <p>1-9 Display panel</p>
	<p>This completes the driver replacement work.</p>	

**Apx**

Appendix



**This work requires wiring changes. Exercise caution to prevent accidents such as electric shock.**



**When replacing the actuator/motor, adjustment of the device/machine coordinate settings may be required. Replace according to the specifications of the system, which includes the device main unit and host controller.**



# Index

---

## A

Acceleration time constant .....	7-16
Alarm code .....	5-26
Alarm reset .....	5-8
Alarms .....	5-25
Alarm history clear .....	7-10
Alarm mode .....	7-8
Allowable position deviation .....	8-7
Analog waveform monitoring .....	5-28
Angle compensation enable/disable setting .....	8-9
Attained speed .....	5-25
Attained torque .....	5-25
Attained speed judgment value .....	7-14
Attained torque judgment value .....	7-14
Automatic adjustment of speed command offset .....	9-8
Automatic adjustment of torque command offset .....	9-9
Automatic positioning gain setting enable/disable setting .....	8-10
Auto-tuning .....	9-11
Auto-tuning displacement .....	9-12
Auto-tuning level selection .....	9-13

## B

Battery .....	3-21
Battery voltage low .....	5-26
Battery replacement method .....	3-22
Battery voltage low .....	11-15
BUSY error .....	11-12

## C

Cable size .....	2-5
CN9-CP3 output signal setting .....	8-4
Command polarity .....	8-7
Command pulse display .....	7-5
Command pulse input pattern setting .....	8-5
Command pulse frequency display .....	7-1
Communication error .....	11-13
Configuration diagram .....	1-3
Control mode selection .....	5-14
Control modes .....	5-25
Control mode switching setting .....	8-4
Control modes .....	7-2
Cooling fan stopped .....	5-26
Cooling fan stopped .....	11-15
Current monitor .....	5-28
Current value output .....	5-27
Current monitor offset .....	7-17

## D

DB enable/disable setting .....	8-9
Deceleration time constant .....	7-16
Default settings .....	A-1
Deviation counter .....	5-8
Deviation clear upon servo-ON setting .....	8-7

Digital signal monitor .....	5-29
Discharge time .....	7-2
Display panel .....	1-14
Driver model .....	1-5
Driver replacement procedures .....	A-20
Dynamic brake actuated .....	5-25

## E

Electronic gear selection .....	5-13
Electronic gear setting .....	8-6
Emergency stop .....	5-8
Emergency stop .....	11-2
Encoder output .....	5-27
Encoder combination .....	4-2
Encoder disconnection .....	11-7
Encoder monitor output pulses .....	8-10, 8-11
Encoder receiving error .....	11-7
Environment .....	2-2, 10-1
Error pulse count display .....	7-3
Error counter overflow .....	11-9, 11-10
Extension cable combinations .....	1-6
External power supply .....	5-4
External speed command offset .....	7-17
External torque command offset .....	7-17
External drawing .....	1-12
External speed limit enable/disable .....	8-9
External torque limit enable/disable .....	8-9

## F

Feedback pulse display .....	7-5
Feed-forward filter .....	7-18
Feed-forward gain .....	7-13
FPGA configuration error .....	11-11
FPGA setting error .....	11-11
FWD enable .....	5-10
FWD inhibit .....	5-9
FWD selection .....	5-11
FWD inhibit status .....	5-26
FWD inhibit input effective .....	11-15

## G

Gain adjustment .....	3-15
Ground .....	2-8

## I

I/O signal monitor .....	9-2
In-position complete .....	5-25
In-position range .....	7-13
Internal speed .....	5-11
Internal speed limit .....	5-12
Internal speed command .....	7-15
Internal function block diagram .....	1-2
IPM error .....	11-4

## J

JOG acceleration/deceleration time constant setting .....	9-5
---	-----

- 
- JOG speed setting ..... 9-4  
 JOG operation ..... 9-6
- L**
- List of data retained in the drive ..... A-17  
 Load inertia moment ratio ..... 7-18
- M**
- Main circuit voltage low ..... 5-26  
 Main circuit power voltage ..... 7-1  
 Main circuit voltage low ..... 11-15  
 MEMORY error ..... 11-11  
 Memory failure ..... 11-11  
 Motor code ..... 7-7  
 Motor rotation speed indication ..... 7-1  
 Multi revolution clear ..... 9-10  
 Multi revolution data error ..... 11-9, 11-12  
 Multi revolution overflow ..... 11-8  
 Multiplication of 2-phase input setting ..... 8-5
- N**
- Noise ..... 2-14
- O**
- Operation preparation complete ..... 5-25  
 Option ..... 1-5  
 Origin setting ..... 4-10, 4-20  
 Output signal operation ..... 9-3  
 Output torque monitor ..... 7-1  
 Overheat error ..... 11-12  
 Overload ..... 11-3  
 Overload status ..... 5-26  
 Overload rate display ..... 7-1, 7-4  
 Overload status ..... 11-15  
 Overspeed ..... 11-2, 11-3  
 Overvoltage ..... 11-5
- P**
- Panel display ..... 6-3  
 Parameter initialization ..... 9-7  
 Periodically replaced part ..... 3-21  
 Phase Z ..... 5-26  
 Position command disable ..... 5-14  
 Position command mode ..... 5-15  
 Position loop gain ..... 7-12  
 Present alarm/warning display ..... 7-9  
 PSF-800 ..... 10-1
- R**
- Rating ..... 1-7  
 Regenerative resistance ..... 2-17
- Regenerative resistor ..... A-6  
 Regenerative resistor overheat ..... 11-5  
 REV enable ..... 5-10  
 REV inhibit ..... 5-9  
 REV selection ..... 5-11  
 REV inhibit status ..... 5-26  
 REV inhibit input effective ..... 11-16
- S**
- Servo ON input enable ..... 5-25  
 Servo-ON ..... 5-8  
 Single rotation data error ..... 11-12  
 Specifications ..... 1-7  
 Speed command mode ..... 5-19  
 Speed limiting ..... 5-25  
 Speed monitor ..... 5-28  
 Speed loop gain ..... 7-12  
 Speed loop integral compensation ..... 7-13  
 Speed monitor offset ..... 7-17  
 Speed command voltage ..... 7-6  
 Speed input factor setting ..... 8-8  
 Spring constant compensation factor ..... 7-19  
 Status display ..... 7-1  
 Status display setting ..... 8-8  
 System failure ..... 11-8, 11-11  
 System parameters ..... 8-1
- T**
- Torque command mode ..... 5-20  
 Torque limit ..... 5-13  
 Torque limiting ..... 5-25  
 Torque limit ..... 7-15  
 Torque constant compensation factor ..... 7-18  
 Torque command voltage ..... 7-6  
 Torque input factor setting ..... 8-8  
 Transfer format ..... 5-27  
 Tune mode ..... 7-11
- U**
- UVW error ..... 11-8
- W**
- Warnings ..... 5-26  
 Wrong actuator ..... 11-16
- Z**
- Zero speed ..... 5-25  
 Zero speed judgment value ..... 7-14  
 Zero clamp ..... 8-8

## Warranty period and terms

**The warranty period of the HA-800A series and warranty terms are explained below.**

### ■ Warranty period

Under the condition that it is used properly according to each item specified in the manuals and operation manuals, this product is warranted for the period of 1 year after delivery or 2,000 hours of operation (this product), whichever ends first.

### ■ Warranty terms

If the product fails due to any defect in workmanship or material during the warranty period specified above, the defective product will be repaired or replaced free of charge.

This limited warranty does not apply to any product that has been subject to:

- (1) Improper handling or use by the customer;
- (2) Modification or repair carried out other than by Harmonic Drive Systems, Inc.;
- (3) Failure not attributable to this product; or
- (4) Natural disaster or any other event beyond the control of Harmonic Drive Systems, Inc.

The warranty covers only the above-named product purchased from Harmonic Drive Systems, Inc.

Harmonic Drive Systems, Inc. shall not be liable for any consequential damages of other equipment caused by the defective product, or expenses and labor costs for removing and installing the defective product from/to your system.



Certified to ISO14001 (HOTAKA Plant) / ISO9001 (TÜV Management Service GmbH)  
 All specifications and dimensions in this manual subject to change without notice.  
 This manual is correct as of June 2012.

	<p>Head Office / Believe Omori 7F 6-25-3Minami-Ohi, Shinagawa-ku, Tokyo, Japan          〒140-0013 TEL+81(0)3-5471-7800 FAX+81(0)3-5471-7811</p> <p>Overseas Division / 1856-1 Hotakamaki Azumino-shi Nagano, Japan          〒399-8305 TEL+81(0)263-83-6935 FAX+81(0)263-83-6901</p> <p>HOTAKA Plant / 1856-1 Hotakamaki Azumino-shi Nagano, Japan          〒399-8305 TEL+81(0)263-83-6800 FAX+81(0)263-83-6901</p> <p>Harmonic Drive AG / Hoenbergstraße 14, 65555 Limburg, Germany          TEL06431-5008-0 FAX06431-5008-18</p> <p>Harmonic Drive L.L.C / 247 Lynnfield Street, Peabody, MA, 01960, U.S.A.          TEL+1- 978-532-1800 FAX+1- 978-532-9406</p>
--	---