

---

----- More information

For more information go to [www.p65warnings.ca.gov](http://www.p65warnings.ca.gov)

---

### Contractual warranty

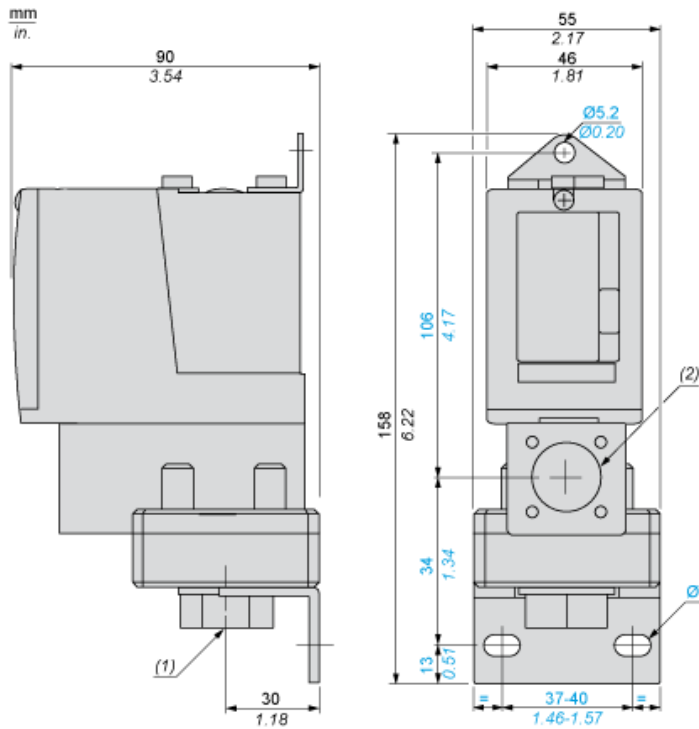
---

Warranty period

18 months

---

Dimensions



- (1) 1 fluid entry, tapped G1/4 (BSP female)
- (2) 1 electrical connections entry, tapped M20 x 1.5
- Ø : 2 elongated holes Ø 10.2 x 5.2