

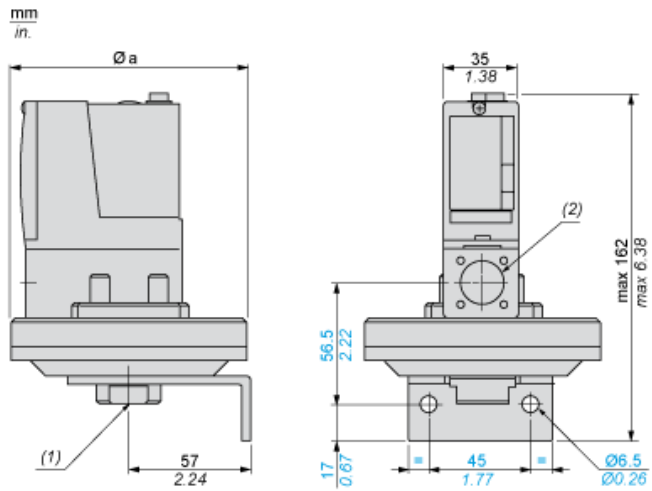
## Contractual warranty

---

Warranty	18 months
----------	-----------

---

Dimensions



- $\varnothing a =$  110 mm / 4.33 in.  
(1) 1 fluid entry, tapped G1/4 (BSP female)  
(2) 1 electrical connections entry, tapped Pg 13.5