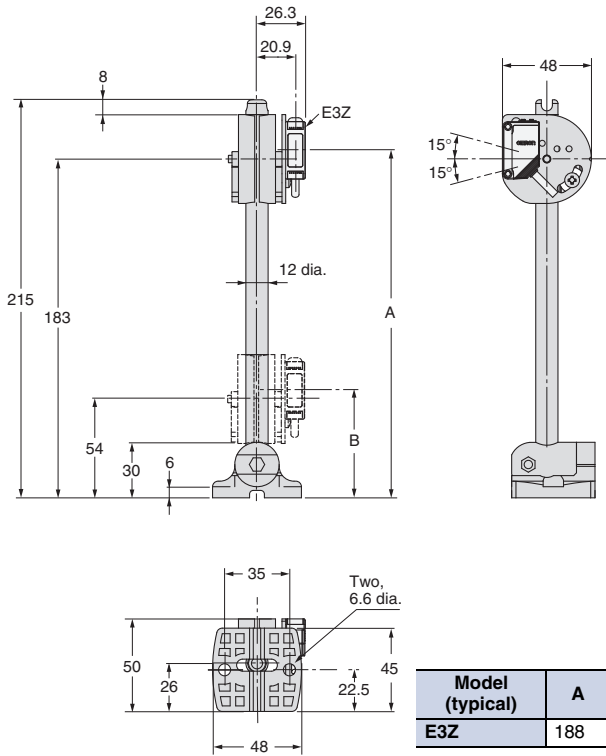
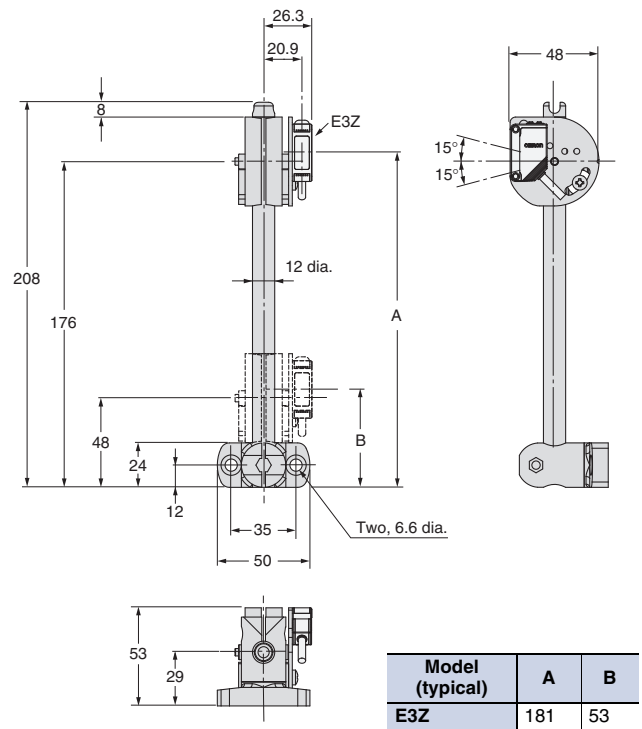


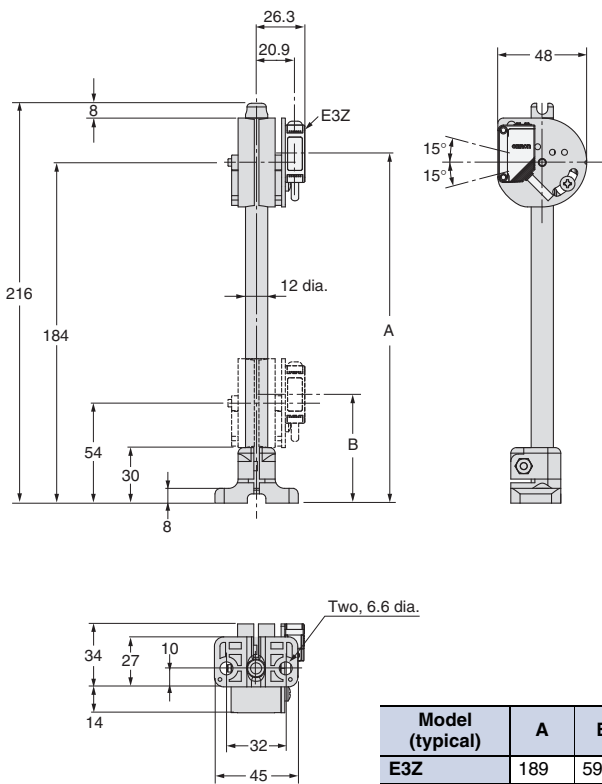
E39-L93FH



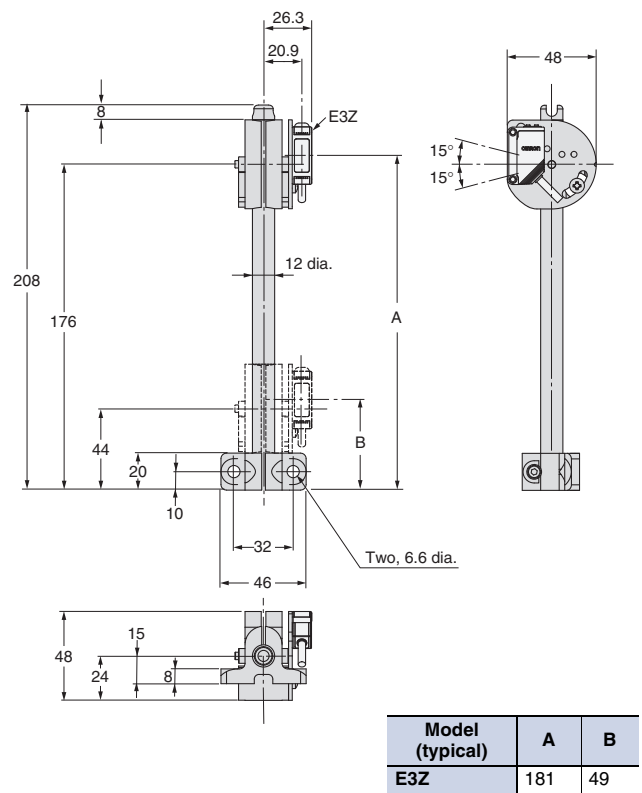
E39-L93FV



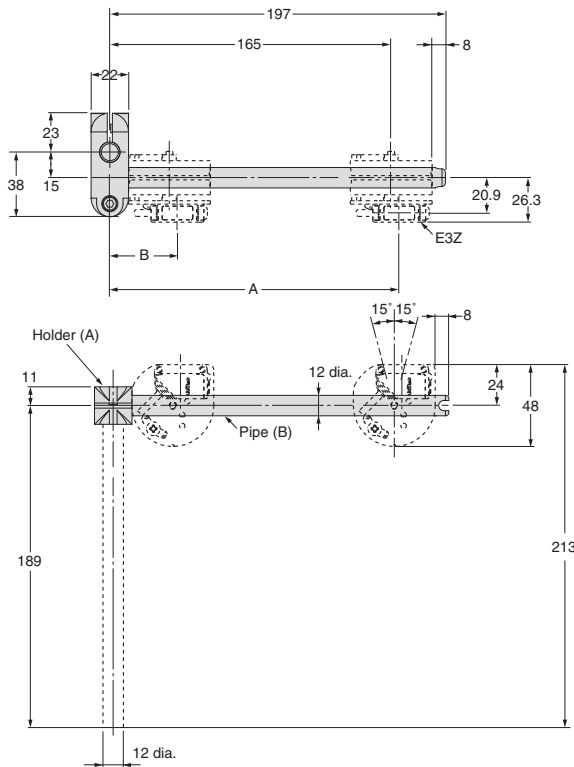
E39-L93H



E39-L93V



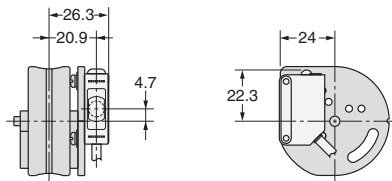
E39-L93XY



Model (typical)	A	B
E3Z	170	40

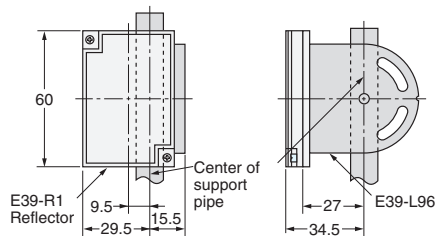
Note: The E39-L93XY consists of only the one joint holder (A) and pipe (B), and the two hexagonal bolts and nuts. It cannot be mounted to the Sensor alone.

E3Z
+
E39-L93

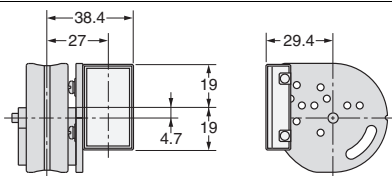


E39-R1
(Reflector)
+
E39-L93

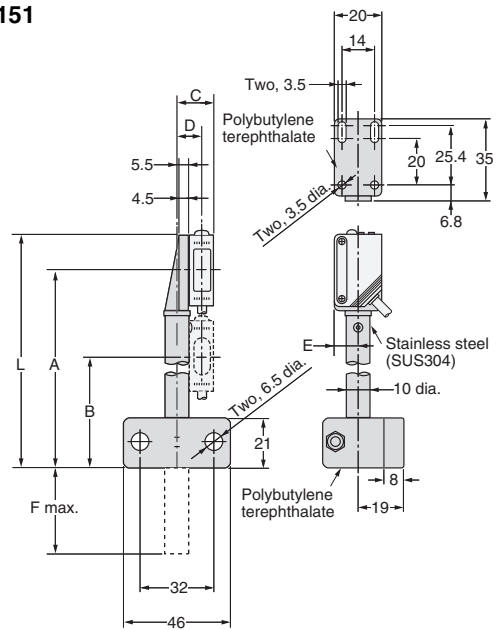
Note: E39-L96 required.



E39-R3
(Reflector)
+
E39-L93



E39-L150
E39-L151



E39-L150

Model (typical)	A	B	C	D	E	F
E3Z	84.5	47.5	16.3	10.9	10	37

Model	L
E39-L150	100
E39-L151	200