

<b>TECHNICAL REPORT (MANUAL)</b>	<b>No. TMS01/041E</b>
----------------------------------	-----------------------

Date. 11-Oct-2001  
 General Manager of  
 Servo Laboratory

Specification change in Manual Pulse Generator (MPG)

1. Communicate this report to:

<input type="radio"/>	Your information
<input type="radio"/>	GE Fanuc-N, GE Fanuc-E
	FANUC Robotics
	MILACRON
<input type="radio"/>	Machine tool builder
	Sales agency
	End user

2. Summary for Sales Documents

This document is to pronounce the specification change in Manual Pulse Generator

3. Notice

4. Attached Document

Drawing NO.	A-56731E-0084
----------------	---------------

IDE

Original section of issue		
Department Manager	Section Manager	Person in Charge

**FANUC**





**Specification for Manual Pulse Generator**

1. This specification is applied to Manual Pulse Generator, A860-0203-T001 ~.
2. Environment Condition for Installation

	Item	Symbol	Condition		Unit	Remarks
			Min.	Max.		
1	Operating Temperature	T <sub>OP</sub>	-5	+60		
2	Storage Temperature	T <sub>ST</sub>	-40	+80	°C	
3	Operating Humidity	H <sub>OP</sub>	+30	+90	%RH	No Dewing

### 3. Electrical Specification

#### 1.1 Absolute Maximum Rating

	Item	Symbol	Condition		Unit	Remarks
			Min.	Max.		
1	Input Power Voltage	V <sub>CC</sub>		7.0	V	at Terminal
2	Output Current	I <sub>OL</sub>		30	mA	

#### 1.2 Power Supply

	Item	Symbol	Condition		Unit	Remarks
			Min.	Max.		
1	Input Power Voltage	V <sub>CC</sub>	4.5	5.25	V	at Terminal
2	Consumption Current	I <sub>CC</sub>		95	mA	

#### 1.3 Output Signal

- |                     |   |
|---------------------|---|
| (1) Phase A and B   | Phase difference: 90 °C                               |
| (2) Number of Pulse | 100 pulse/rev.  |
| (3) Scale Selection | Contact signal [1/10/100] (Only A860-0203-T010 ~ )    |
| (4) Axis Selection  | Contact signal [X/Y/Z/4/5/6] (Only A860-0203-T010 ~ ) |

							Documentation for the change of MPG	
							<b>A-56731E-0084</b>	
01.09.06								3 / 6

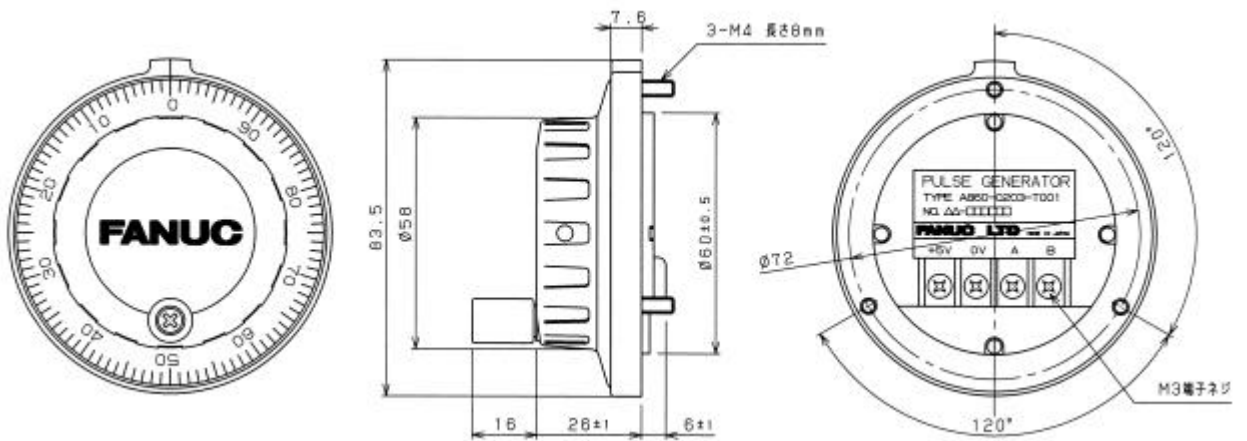




## 4. Dimensions

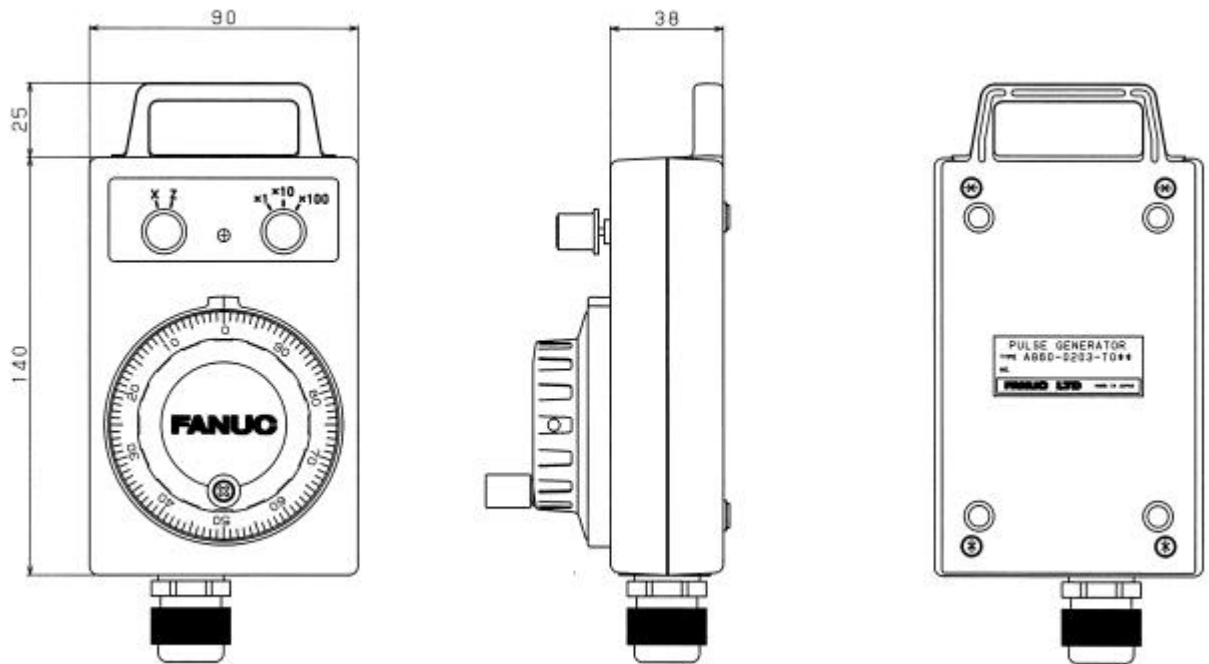
4.1 A860-0203-T001

Weight: 200g



4.2 A860-0203-T010 ~ T015

Weight: 600g




Documentation for the change of MPG	
<b>A-56731E-0084</b>	
	6 / 6