

SIEMENS

Product data sheet

3RK1301-1BB00-0AA2

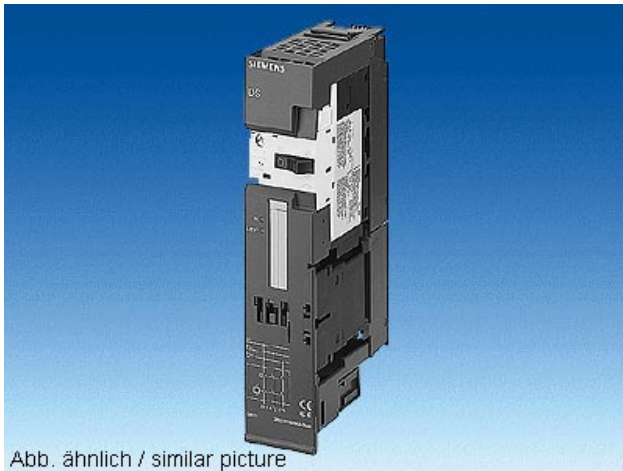


Abb. ähnlich / similar picture

DS1-X FOR ET 200S ELECTROMECHANICS LINE
STARTER EXPANDABLE ADJUSTABLE RANGE
1.4...2.0A AC-3,
0.75 KW/400V FOR BRAKE CONTROL MODULE

General details:

Design of the product	direct-on-line starter
Product function / Bus-communication	Yes
Protocol / will be supported / PROFIBUS DP protocol	Yes
Protocol / will be supported / AS interface protocol	No
Product component / Outlet for engine brake	Yes
Type of assignment	2

Control circuit:

Type of voltage	DC
Control supply voltage	
• for DC / rated value / minimum	20.4 V
• for DC / rated value / maximum	28.8 V

Main circuit:

Design of the short-circuit protection	circuit-breakers
Type of the motor protection	bimetal
Design of the switching contact	electromechanical
Operating voltage / rated value	
• minimum	400 V
• maximum	500 V

Service power	
• at AC-3 / at 400 V / rated value	0.75 kW
• for three-phase servomotors / at 400 V / at 50 Hz / for AC three-phase / minimum	0.75 kW
• for three-phase servomotors / at 400 V / at 50 Hz / for AC three-phase / maximum	0.75 kW
Adjustable response current / of the current-dependent overload release	
• initial value	1.4 A
• final value	2 A
Switch-off capacity limit short-circuit current / at 400 V / rated value	50 kA
Connection type:	
Design of the electrical connection / for main current circuit	screw-type terminals
Ambient conditions:	
Protection class IP	IP20
last change:	10/31/2006

Technical Assistance:	Telephone: +49 (0) 911-895-5900 (8°° - 17°° CET)
	Fax: +49 (0) 911-895-5907
	E-Mail: technical-assistance@siemens.com
	Internet: www.siemens.de/lowvoltage/technical-assistance