

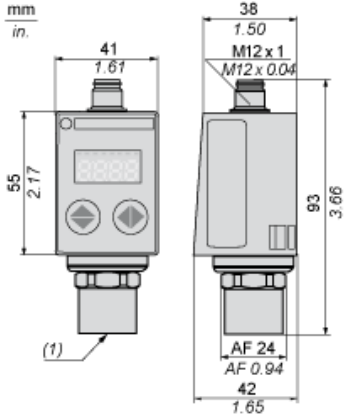
IP67 conforming to EN/IEC 60529

| | |
|----------------------|---|
| Vibration resistance | 20 gn (f = 10...2000 Hz) conforming to EN/IEC 60068-2-6 |
| Shock resistance | 50 gn conforming to EN/IEC 60068-2-27 |

Offer Sustainability

| | |
|------------------------|---|
| RoHS (date code: YYWW) | Compliant - since 1351 - Schneider Electric declaration of conformity Schneider Electric declaration of conformity |
| REACH | Reference not containing SVHC above the threshold Reference not containing SVHC above the threshold |

Dimensions



(1) Fluid entry: G 1/4 A female