

Digital Temperature Controller E5CD/E5ED

Next Generation Digital Temperature Controllers with Expanded Adaptive Control Functionality

E5CD (48 × 48 mm) and E5ED (48 × 96 mm) Lineup of Push-In Plus technology that reduce wiring work. E5CD-B (48 × 48 mm) and E5ED-B (48 × 96 mm)

Optimize control by detecting status changes. Easily satisfy both productivity and quality. Ideal for package sealing and water-cooled extrusion applications.



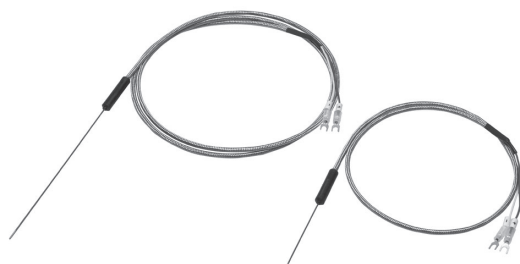
48 × 48 mm
E5CD/E5CD-B



48 × 96 mm
E5ED/E5ED-B



Accurately Measure Seal Temperatures
Temperature Sensors for Packaging Machines



Temperature Sensors
E52
Ferrule terminal type added

Digital Temperature Controller E5CD/E5CD-B (48 × 48 mm)

Optimize Control by Detecting
Status Changes.
Easily Satisfy Both Productivity and
Quality.
Models with Push-In Plus
Technology Available in the Lineup.

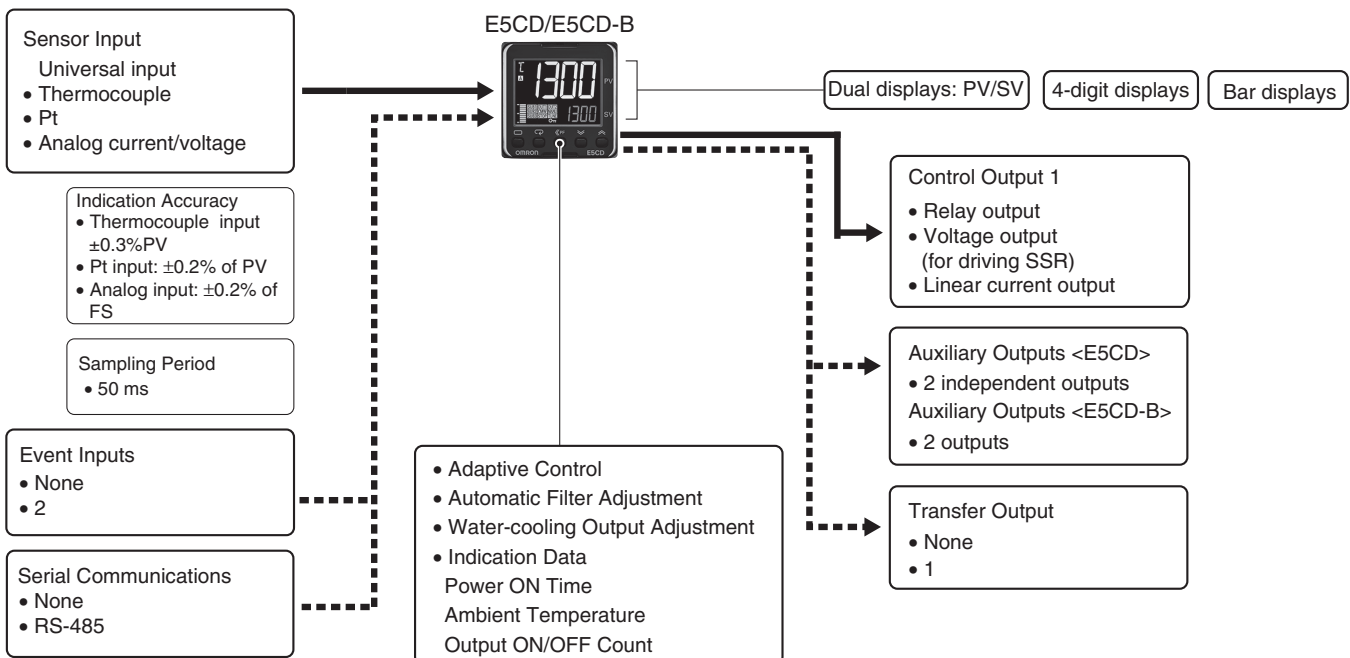
- Automatic optimization of control for changes in systems (Adaptive Control).
- Functions specialized for packaging machines (Temperature Sensors for Packaging Machines and Automatic Filter Adjustment).
- Function specialized for water-cooled extruders (Water-cooling Output Adjustment).
- Indication data (Power ON Time, Ambient Temperature, and Output ON/OFF Count).
- Basic performance is same as the E5□C standard models.
- Draw-out structure for easy maintenance. (Screw terminal blocks only)



For the most recent information on models that have been certified for safety standards, refer to your OMRON website.

Refer to Safety Precautions on 43.

Main I/O Functions



This datasheet is provided as a guideline for selecting products.

Be sure to refer to the following manuals for application precautions and other information required for operation before attempting to use the product.

E5□D Digital Temperature Controllers User's Manual (Cat. No. H224)

E5□D Digital Temperature Controllers Communications Manual (Cat. No. H225)