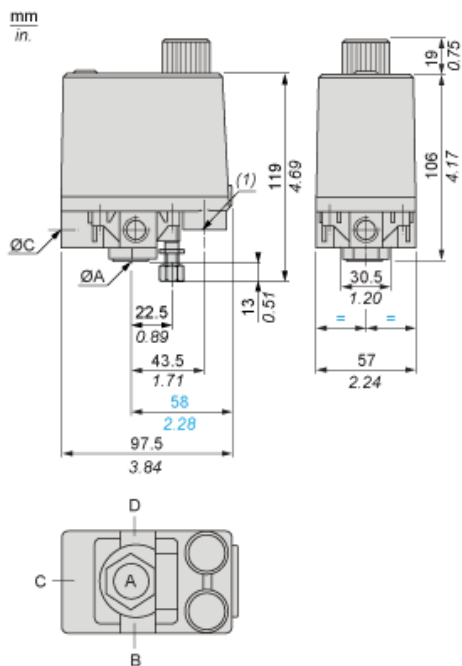


Dimensions

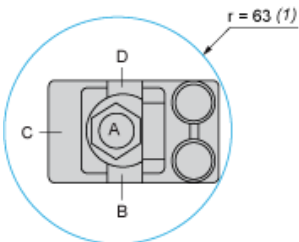
With Straight, Olive Connection, Decompression Valve



ØA = ØB = ØC = ØD =

(1) 2 tapped entries for Pg 13.5

Minimum Mounting Clearance



$\varnothing A = \varnothing B \in \varnothing A (1)$

(1) Minimum clearance zone for screwing-on pressure switch at point A