

---

Product end of life instructions	Need no specific recycling operations
----------------------------------	---------------------------------------

---

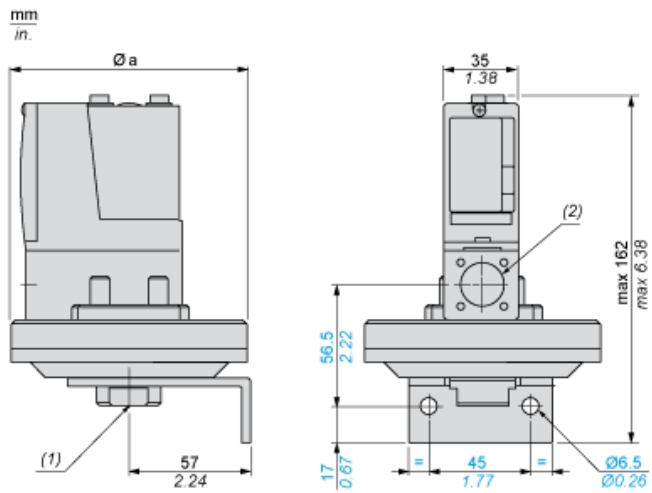
### Contractual warranty

---

Warranty period	18 months
-----------------	-----------

---

Dimensions



- $\varnothing a =$  110 mm / 4.33 in.  
(1) 1 fluid entry, tapped G1/4 (BSP female)  
(2) 1 electrical connections entry, tapped M20 x 1.5