


List of Models


Safety Multi beam Sensors

F3S-TGR-SB2-K□C Mirror Reflection Type (Type 2)

| Shape | Number of optical axes | Sensing Distance | Beam Pitch | Model |
|---|------------------------|---------------------------------|------------|---------------------------|
|  | 2 | <input type="text"/> 0.5 to 6 m | 500 | F3S-TGR-SB2-K2C-500(MTL)* |
| | 3 | <input type="text"/> 0.5 to 5 m | 400 | F3S-TGR-SB2-K3C-800(MTL)* |
| | 4 | | 300 | F3S-TGR-SB2-K4C-900(MTL)* |

*. If you want to have a ONE WAY direction Type, (see Page D-26) Please add the MTL behind of Model Name. Ex. F3S-TGR-SB4-K2C-500MTL



F3S-TGR-SB4-K□C Mirror Reflection Type (Type 4)

| Shape | Number of optical axes | Sensing Distance | Beam Pitch | Model |
|---|------------------------|---------------------------------|------------|---------------------------|
|  | 2 | <input type="text"/> 0.5 to 6 m | 500 | F3S-TGR-SB4-K2C-500(MTL)* |
| | 3 | <input type="text"/> 0.5 to 5 m | 400 | F3S-TGR-SB4-K3C-800(MTL)* |
| | 4 | | 300 | F3S-TGR-SB4-K4C-900(MTL)* |

*. If you want to have a ONE WAY direction Type, (see Page D-26) Please add the MTL behind of Model Name. Ex. F3S-TGR-SB4-K2C-500MTL



Muting Connecting Box (Order Separately)

Flexible Connecting Box



| Appearance | SLC Connection Type | Other connection | Model |
|---|--------------------------------------|--|-----------------|
|  | M12 8pin connector without cable | 4 x Muting sensor connection (4pin) 1 x Muting Lamp M12 (4pin) 1 x Override/Test input M12 (4pin) 1 x cabinet connection M12 (8pin) | F39-TGR-SB-CMB1 |
|  | M12 8pin connector with 100 mm cable | | F39-TGR-SB-CMB2 |

Accessories (Order Separately)

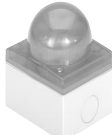
Connector Cable

| Appearance | Cable length | Specification | Model |
|---|--------------|---|---------------------|
|  | 2 m | M12 connector (8pin Socket) For cabinet connection (From F3S-TGR-SB□-K□C or F3S-TGR-SB-CMB□) | F39-TGR-SB4-CVLB2R |
| | 5 m | | F39-TGR-SB4-CVLB5R |
| | 10 m | | F39-TGR-SB4-CVLB10R |
|  | 2 m | M12 connector (4pin Plug) For Muting sensor, Muting Lamp connection and Override/Test connection | F39-TGR-SB4-CVLB2MC |


Connector Plug Assemblies, Screw-on Type

| Appearance | Cable connection direction | Specification | Connection method | Applicable cable diameter | Model |
|---|----------------------------|-------------------|-------------------|---------------------------|-----------|
|  | Straight | DC only 4pin Plug | Screw-on | 3 dia. (3 to 4 dia.) | XS2G-D4S5 |
|  | Right angle | | | | XS2G-D4S6 |


Muting Lamp

| Appearance | Specification | Model |
|---|---------------|---------|
|  | 24 V DC | F39-A11 |

Bulb for Maintenance

| Appearance | Specification | Model |
|---|-----------------|-----------|
|  | 24 V DC 3 W E14 | F39-A11MB |

Laser alignment Kit

| Appearance | Model |
|---|-------------|
|  | F39-LKK2-SB |