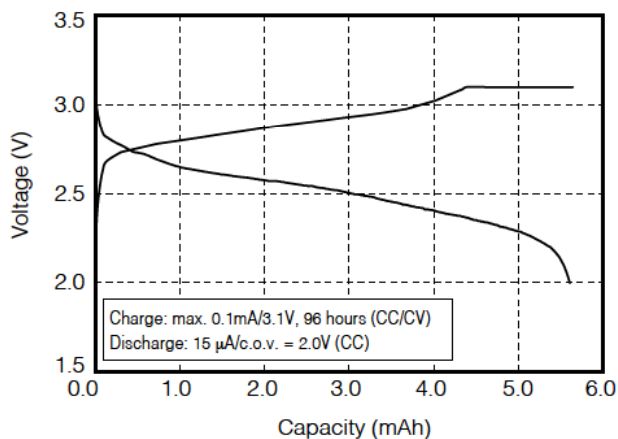


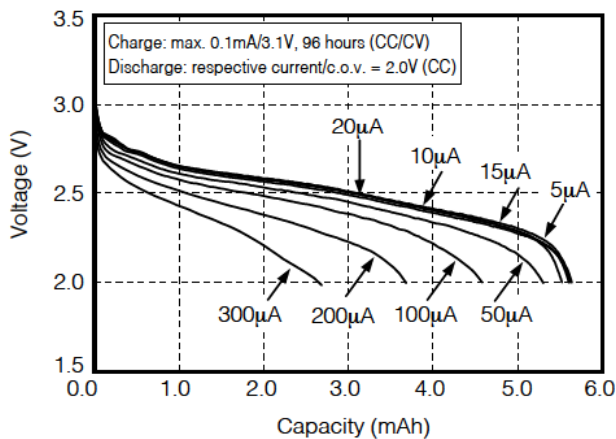
CHARACTERISTICS

MS621FE

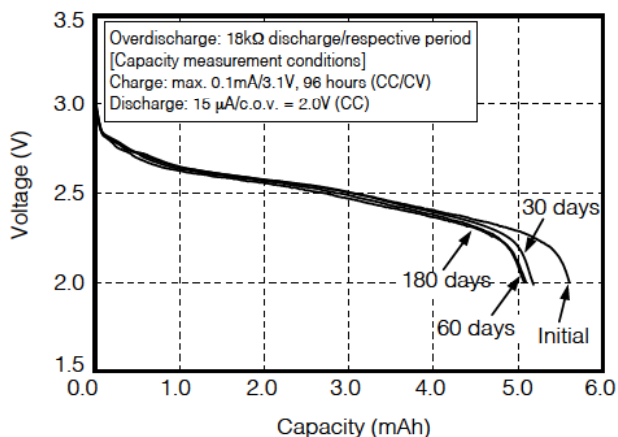
Charge/discharge characteristics



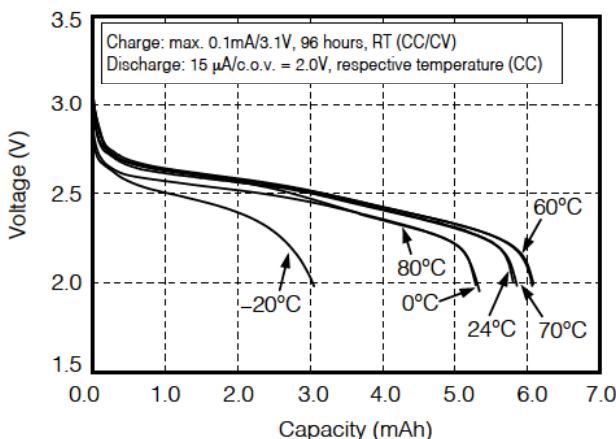
Discharge Current characteristics



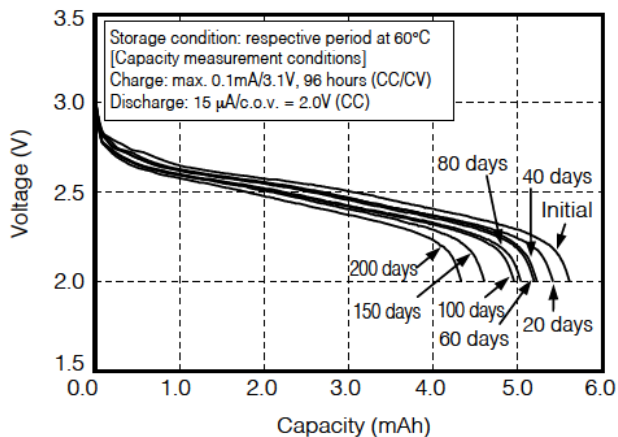
Overdischarge Characteristics



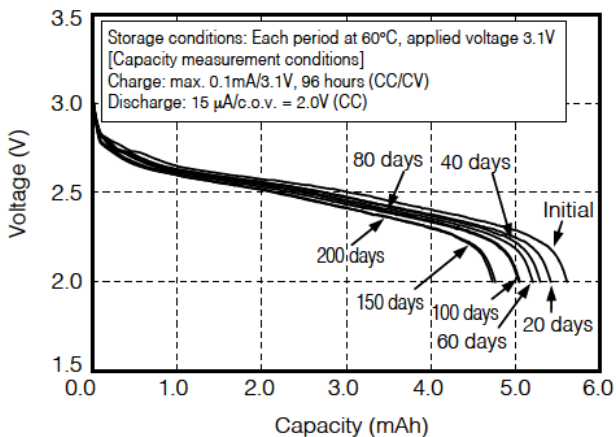
Discharge Temperature Characteristics



High Temperature (60°C) Storage Characteristics



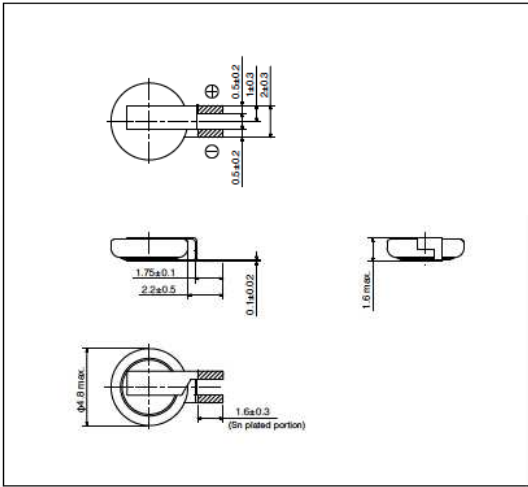
Floating Characteristics (60°C, applied voltage 3.1V)



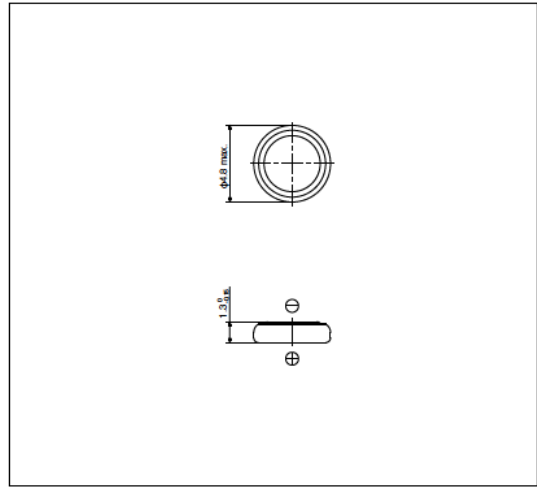
*c.o.v....cut off voltage

DIMENSIONS

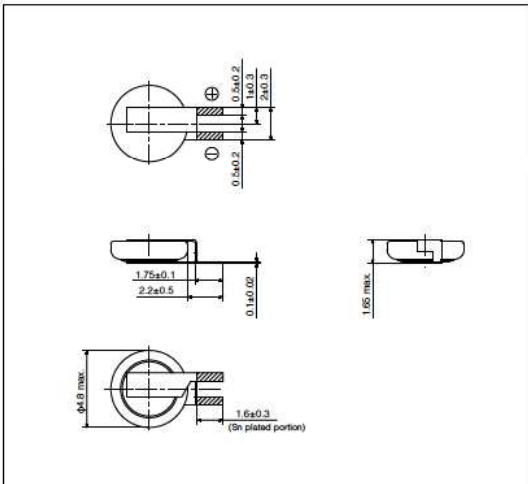
MS412FE FL26E



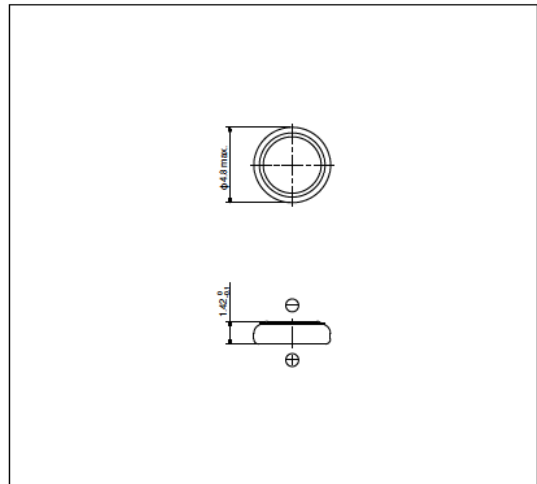
MS412FE



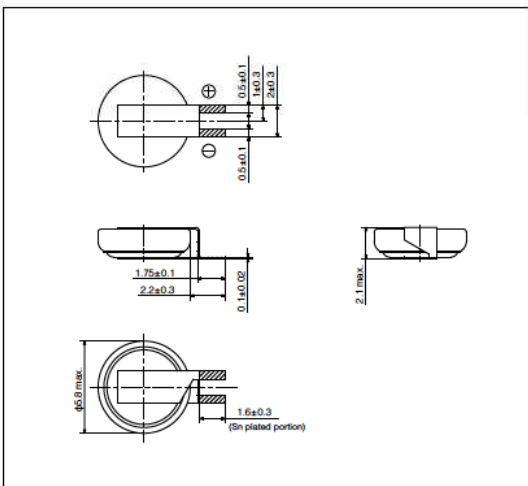
MS414GE FL26E



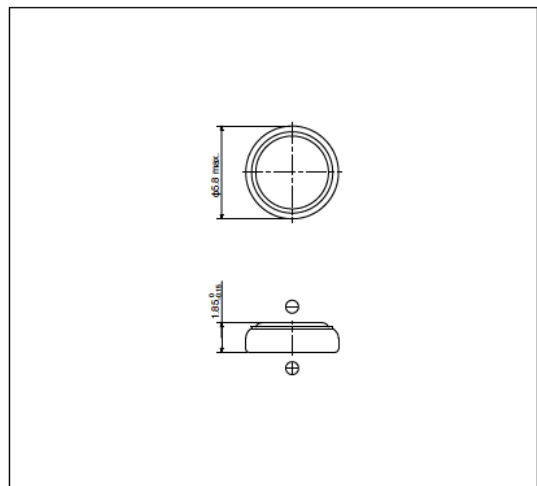
MS414GE



MS518SE FL35E



MS518SE



- Units: mm

- The shaded parts are tin plated (Sn: 100%).