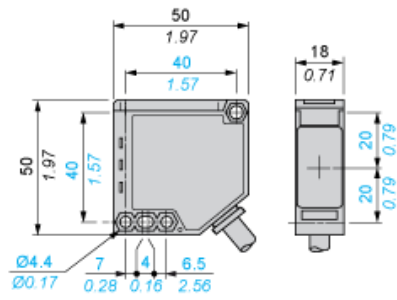


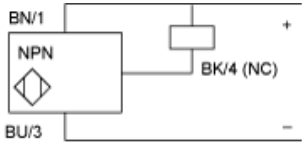
Dimensions

mm
in.



Wiring Schemes

NPN Outputs



- BN : Brown
- BU : Blue
- BK : Black