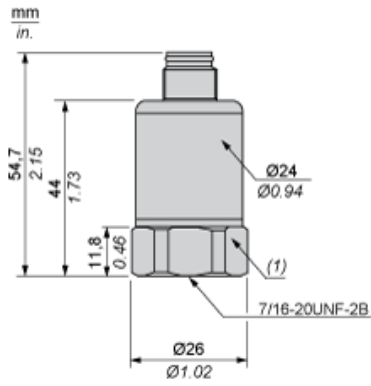


Dimensions



(1) SW24 tightening torque $\leq 10 \text{ N.m} / 221 \text{ lb-in}$

Wiring Diagram

3-Wire Technique (0.5 – 4.5 V)

