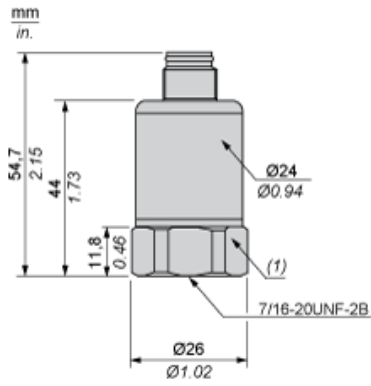


Dimensions



(1) SW24 tightening torque  $\leq 10 \text{ N.m} / 221 \text{ lb-in}$

---

Wiring Diagram

---

2-Wire Technique (4-20 mA)

