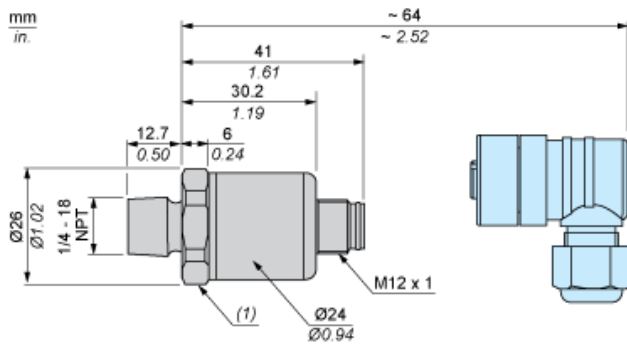


Dimensions



(1) SW24 tightening torque  $\leq 25$  N.m / 221 lb-in

---

Connection and Schema

---

Wiring Diagram

2-Wire Technique (4-20 mA)

